

"Save"ty[®] Yellow Products

FACILITY ASSET PROTECTION



SAFETY PRODUCTS
LEAD FREE PAINT
MADE IN U.S.A.



Save Your Assets

- Rails
- Systems
- Protectors
- More



In Stock

"Save"ty[®] Stand Guard Rails & Systems





We Deliver MORE Than Just Our Products!

We Deliver PEACE OF MIND!

Without "Save"ty Yellow Products, you may be worrying more about safety issues than you should be.

You have invested in your business – equipment, inventory, and especially employees – to meet the needs of your customers. You don't want unexpected safety issues to cause you downtime, added expense, or personal injury. Let "Save"ty Yellow Products help protect your business and **SAVE YOUR ASSETS!**

Our products have been shown to protect employees, facilities, products, and equipment from impact with forklifts, and do it better and at a lower cost! We have supplied products to facilities used by some of America's finest companies, including Sears, U.S. Foods, Adidas, Home Depot and General Electric.

Built on the foundation of our unique drop-in/lift-out guard rail system, "Save"ty Yellow Products has branched out to include facility protection, hand rails, safety gates and more. We continue to develop

new products to meet safety needs and also customize products for specific applications.

The products we manufacture are made in America, powder coated with certified lead-free paint, and stocked in Illinois.

We invite you to enjoy the peace of mind that comes from knowing that your business is protected 24/7. "Save"ty Yellow Products can help you do that!

– Dan Gentile
President

TABLE OF CONTENTS:

Guard Rails	3-5	Hand Rails	14
Post/Rack Column Protectors	6-7	Safety Gates	15
Rack Protectors	8	Mezzanine Gates	16-17
Bollards/Bollard Covers	9	Dock Gates	18
Building Column Protectors	10	Door Track Protectors	19
Machinery Guards	11	Work Platforms	20
Machine Guards	12	Dockboards/Dockplates	21
Pallet Rack Guards	13	Photo Gallery	22-23

Guard Rails



In Stock

Double corner post



Inline post



Protecting an office



Protecting conveyor

Ribbed Rail "Stand Guard"

Our most popular item: the **Stand Guard** ribbed rail. All welded **DROP-IN LIFT-OUT** design standard, which reduces installation cost by half!

- Sleeves are welded to posts, **no costly brackets as an afterthought.**
- Rail fits both 4" and 5" posts with 10" x 10" base plate.
- 3 Posts heights: 18", 26" & 42" with painted steel caps.
- Rails are 2' through 10' with no charge for custom lengths.
- 5/8" x 4 3/4" anchors available upon request.

In Stock

"WOW! These brackets don't require hardware!"





Optional gates shown



No assembly required

Lite **Ribbed Guard Rail**

"Stand Guard" Lite is designed for powered and manual stackers, electric pallet trucks, steel carts & hoppers, etc.

- A great alternative to high strength guard rail, with our popular drop-in, lift-out feature.
- Designed for heavy impacts up to 6,000 lbs.
- 3 post heights: 18", 26" & 42" with painted steel caps.
- 8"x 8"x 1/2" base plate.
- Select rail lengths from 2' through 10'.
- 5/8" x 4 3/4" anchors available upon request.

Deflector Series Guard Rail

All welded series provides the strongest protection.

- An assortment of 4" or 5" tube styles and designs.
- Choose from 4', 6' or 8' wide.
- Choose from 15", 30", or 45" tall.
- 10" x 10" x 1/2" base plate.
- 5/8" x 4 3/4" anchors available upon request.



Guard Rails



No corner covers required



Recessed post



NEW



Highway Overlapping Stand Guard

Highway style positions inline posts behind the railing.

- Rails overlap the face of the in-line posts.
- End and corner posts do not require end caps or flared ends.
- Choose from 4" or 5" posts, 18", 26" or 42" tall.
- 10"x 10"x 1/2" base plate.
- 5/8" x 4 3/4" anchors available upon request.



"Offset posts are available."



"Save"ty[®] Yellow Products



"V" face



Curved face



Structural



Bollard style

Traditional Post Protectors

Traditional style post protection available in a "V" shape or curved face.

- Traditional style with four mounting holes.
- Choose from 12", 18" & 24" tall.
- Clear opening is 3⁷/₈".
- Anchors available upon request.

"IN STOCK and Ready to Ship!"



Post Protectors: Bollard and Structural

Bollard style and structural models are designed for the hardest impact.

- Bollard style designed by "SAVE"TY Yellow Products.
- Choose from 12", 18", 24", 30", & 36" tall.
- Clear opening ranges from 4" to 5¹/₂".
- Anchors available upon request.



Facility Protection



In Stock

Post Protectors: Hidden Anchor

New rack column post protectors eliminate base plates.

- Bolt down model with bracket hardware.
- Energy absorbing design anchors securely in front & behind frame.
- 12" tall by 12" deep.
- Inside dimensions are 4³/₈" x 6⁷/₈".
- 1/2" TAPCON anchors available upon request.



← FAST DELIVERY



Post Protectors: Bolt On

Bolt-on post protectors add strength to frame column to prevent costly rack damage.

- Available in 24" tall with a clear opening 3".
- 3/16" thick wall.
- Includes hardware to attach to rack frame.
- Available without bull nose at base.



FAST DELIVERY →





Curved end



Formed end



Flared ends



"Custom designs available."



End of Aisle Rack Protection Curved End

Rack protection creates a visible guide through aisles and saves thousands in damage.

- Available in 36", 42" & 48", single or double ends.
- Custom sizes available.
- Curved end has an 8" I.D. x 12" tall.
- Floor Angle is either 1/2" or 3/8" thick x 6" x 4".
- Upright is continuously welded to the angle on both sides.
- Raised and/or notched seismic options available.
- 5/8" x 4 3/4" anchors available.

Formed End

- Available in 36", 42" & 48", single or double ends.
- Custom sizes available.
- Formed end is 12" tall x 9" deep x 1/4" thick with a mounting tab welded to the face.
- Side is 7" x 3" x 1/4" thick.
- 5/8" x 4 3/4" anchors available.

Flared End

- Available in 36", 42" & 48", single or double ends.
- Custom sizes available.
- Side is 7" high x 1/4" thick with a 3" return.
- 5/8" x 4 3/4" anchors available.



Facility Protection



In Stock



Steel Bollards

Steel bollards protect a variety of facility assets.

- Surface mount direct to concrete.
- 4 1/2" to 6 1/2" – choose from economy or standard duty.
- Standard at 42" tall.
- 5/8" x 4 3/4" anchors available.

Most Models In Stock



Bollard Covers

Bollard covers increase visibility while reducing maintenance costs for repair, painting and replacement of existing steel bollards.

- Available in diameters from 4 1/2" through 11 1/2".
- Heights ranging from 52" to 72".
- Choose from round or square.
- Choose from 8 colors with or without reflective bands.





Building and Mezzanine Column Protectors

Prevent damage to building support columns or mezzanine columns.

- **SHORT** Model is 24" Tall x 24" Wide for 6", 8", 10" & 12" columns.
- **SLIM** Model is 42" Tall x 12" Wide for 3", 4", 5", & 6" columns.
- **STANDARD** Model is 42" Tall x 26" Wide for 6", 8", 8" x 10", 9" Round, 10" & 12" columns.
- **LARGE** Model is 42" Tall x 28" Wide for 14", 16", & 18" columns.
- **PREMIUM** Model (orange) is 60% thicker and available in all sizes.
- **Nylon** fasteners with wing nuts, NOT Velcro straps.

Non-contact Building Column Protectors

No contact. Less potential damage.

- Fits up to 6" column with a 15½" dia.
- Fits up to 10" column with a 18½" dia.
- Fits up to 12" column with a 23½" dia.
- Fits up to 16" column with a 28½" dia.
- 24" Short & 42" Tall Standard for greater visibility.
- Two halves bolt together, hardware provided.
- Nuts are welded to back side for ease of installation.
- Six floor mounted tabs for impact deflection.
- 5/8" x 4¾" anchors are available.



Facility Protection



Mitered corners (Model MGM)



Posts and caps (Model MGP)



No assembly required

Welded Machinery Guard

All welded pieces provide the strongest protection.

- An assortment of 4" or 5" tube styles and designs.
- Choose from 36", 42" or 48" wide as measured from outside to outside base plate.
- Choose from 10", 18", 24" or 48" tall.
- Choose from mitered corners or posts with caps.
- 9" x 9" x 1/2" base plate.
- 5/8" x 4 3/4" anchors available upon request.



Welded Machinery Guard

All welded series provides the strongest protection.

- An assortment of 4" or 5" tube styles and designs.
- Choose from 4', 6' or 8' wide.
- Choose from 15", 30", or 45" tall.
- 10" x 10" x 1/2" base plate.
- 5/8" x 4 3/4" anchors available upon request.





Easily removable



Fast installation



Wire Mesh Machine Guards

Machine Guard is constructed from 10 gauge 1 1/2" diamond weave pattern which adds to strength and security. It is designed to create a safety barrier. Use it to enclose a machine or create a wall partitioning off areas you wish to keep free of pedestrian traffic. Standard and special configurations are available. Doors are also available.

- Standard panel sizes.
- Fast installation.
- Hardware included.
- Bright yellow finish.
- 12" clearance under panels.

PANELS	
PART #	DESCRIPTION
SYG1005	10' wide x 5' high
SYG0905	9' wide x 5' high
SYG0805	8' wide x 5' high
SYG0705	7' wide x 5' high
SYG0605	6' wide x 5' high
SYG0505	5' wide x 5' high
SYG0405	4' wide x 5' high
SYG0305	3' wide x 5' high
SYG0205	2' wide x 5' high
SYG0105	1' wide x 5' high
POST	
PART #	DESCRIPTION
SYG5506	6' x 2 1/2 sq. post
DOOR	
PART #	DESCRIPTION
SYG22405	4' wide x 5' high swing door with padlock
TUNNEL SLIDE DOOR	
PART #	DESCRIPTION
SYG54605	6' wide x 5' tunnel slide

Facility Protection



“One of the safest ways to store and track inventory!”



Pallet Rack Guards

Pallet Rack Guard is the economical answer to rack safety and the increasing demands of regulatory agencies. Simple design features woven wire and heavy duty angle frames for longevity and dependability.

These panels attach to pallet rack using spacer clips. Heavy duty 10 gauge 1½" diamond wire mesh welded to a steel angle frame encloses the rack, still providing visibility for inventory.

- Standard panel sizes.
- Fast installation.
- Hardware included.
- Bright yellow finish.

PART #	HEIGHT	WIDTH
SYRG070-03	36"	7'
SYRG080-03	36"	8'
SYRG090-03	36"	9'
SYRG100-03	36"	10'
SYRG120-03	36"	12'
SYRG070-04	48"	7'
SYRG080-04	48"	8'
SYRG090-04	48"	9'
SYRG100-04	48"	10'
SYRG120-04	36"	12'
SYRG070-05	60"	7'
SYRG080-05	60"	8'
SYRG090-05	60"	9'
SYRG100-05	60"	10'
SYRG120-05	60"	12'





Aluminum



Steel

Galvanized cast iron fittings



#SYP-12



#SYP-02



#SYP-20



#SYP-03



#SYP-21



#SYP-22

In Stock



#SYP-04

Hand Rails

Modular hand rail with powder coated rails protects employees from entering areas that are unsafe.

- Fast and easy installation, simply assemble and anchor down.
- Easy replacement of damaged sections or relocate.
- Available in 4', 6' or 8' sections.
- Available in any layout including corners.
- Standard hand rail thickness, OSHA compliant.
- 42" Tall standard unless otherwise specified.
- Standard with top and mid rail, with second mid rail available.
- Fittings for mezzanine installation available.
- 3/8" x 2 1/4" anchors available upon request.

"Available in Steel or Aluminum!"



Mezzanine Safety Gates



Standard swing gate



Adjustable telescoping design



Mezzanine Safety Gate:

Ideal for Stair Openings, Ladders, Platforms, and Guard rail.

The "Save"ty Swing Gate is prefabricated and bolts to existing rail opening to provide a one-way, self-closing gate. It is a simple and economical solution to comply with OSHA regulations.

- Telescoping model adjusts every 2", so you don't order the wrong size.
- Designed to fit hand railings.
- Can be modified to fit our guard rail
- Carbon steel construction (1 1/2" tubing)
- Painted safety yellow.
- Steel spring for self-closing actuation.
- Customized to fit any opening.
- Open 160 degrees.
- Can be ordered to mount at right angle.

MEETS OSHA REQUIREMENTS

In Stock

Swing Gate #	Adjustable Gate #	Fits Clear Opening	Estimated Weight
G-17	AG-24	17" to 18 1/2"	34
G-19	AG-24	19" to 21 1/2"	35
G-22	AG-24	22" to 24 1/2"	35
G-25	AG-36	25" to 27 1/2"	36
G-28	AG-36	28" to 30 1/2"	36
G-31	AG-36	31" to 33 1/2"	37
G-34	AG-36	34" to 36 1/2"	37
G-37	N/A	37" to 39 1/2"	38
G-40	N/A	40" to 42 1/2"	39
G-43	N/A	43" to 45 1/2"	40
G-47	N/A	47" to 49 1/2"	41

Toll Free: 1-877-728-3891





Pivot Gates

The "Save"ty Pivot Gate reduces the potential for falls and other accidents associated with mezzanine loading areas.

- All welded tubular steel frame.
- Easily pivots to up or down position.
- Two standard widths: for one pallet or two.
- Can be made specifically for your opening at no additional charge.
- Can ship completely assembled—simply anchors to mezzanine.



Pallet Safety Gate

Simply forklift your pallet of material through the self-closing safety gates and back away. The gates close up against your material effectively protecting the mezzanine edge until the material is off loaded or the pallet is removed from the opening. Then the gates spring closed, all the time protecting the opening.

The adjustable cross bar provides both a visual barrier and a grab surface for added safety.

- Standard Sizes: 60" or 72" opening width and opening height up to 84", includes Gate Columns, three (3) springs per gate, housed within hinge pivot.
- Teardrop Impact Bumpers: High-impact, ABS bumpers with 3" projection. Black in color.
- Specifications: High-impact, ABS adjustable 4" toe boards.
- Safety Yellow finish.



Mezzanine Sliding Gates



NEW

Horizontal sliding gate



NEW

Vertical lift gate



Mezzanine Sliding Gates

The Horizontal Sliding Gate and the Vertical Lift Gate are designed to be durable, productive, provide the same protection as your railing systems, and meet federal OSHA requirements for standard railings.

- Easily slides open and closed.
- Manufactured to specific width requirements.
- Factory welded steel framework.
- Gates are 42" high, with one mid-rail and 4" toeboard.
- Easy Installation.

**"Pick modules?
We have gates!"**



"Save"ty[®] Yellow Products

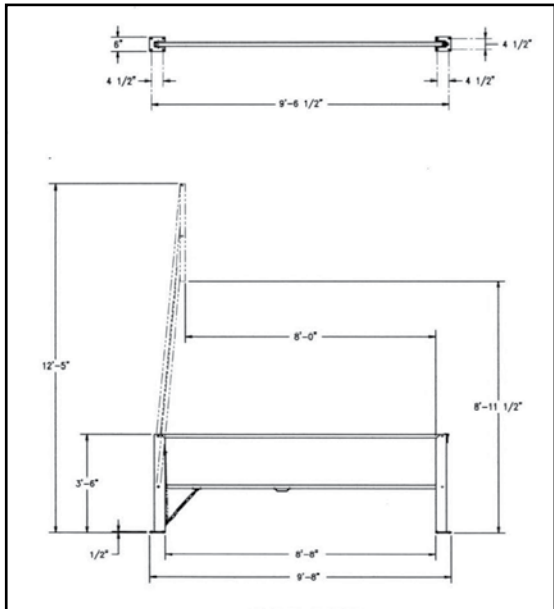


8' clear opening: #SDG08

NEW



10' clear opening: #SDG10



Schematics provided on request

Dock Door Gates

Ideal for overhead doors. Great visibility to prevent accidents.

The "Save"ty Yellow Dock Gate is fabricated and bolts to post creating visibility. It is an economical and simple solution to comply with OSHA fall protection.

- Available in an 8' or 10' clear opening.
- 42" tall at top of rail.
- Carbon steel construction (3" tubing) for horizontal rails, which are bolted through a 5" post.
- Painted safety yellow.
- Air actuation cylinders hold gate open during deliveries or shipments.
- Customized to fit any opening.
- Can be installed to open on either side.

"MEETS OSHA REQUIREMENTS!"



Dock Equipment



With safety bevel



Without safety bevel



FAST DELIVERY →

Door Track Protectors

Door Track protects overhead door track from damage while placing or retrieving pallets.

- Available with or without safety bevel.
- Eliminates expensive service calls for door repair.
- Fast installation & replacement.
- Standard duty for Fork Truck / commercial applications.
- Light duty model for Pallet Truck / light industrial applications.
- 48" Tall in stock. Custom heights available.
- 1/2" x 3 3/4" anchors available

In Stock

**"Keep On TRACK
with Protection
for Your Facility!"**





Strip Doors

Strip doors are used for pedestrian traffic, temperature control, flying insect control & noise control.

- Fast and easy installation, surface or jamb mounting.
- Easy replacement of damaged sections or relocate.
- Available in 6", 8", 12", & 16" widths.
- Available in standard vinyl, USDA approved vinyl, ribbed or amber welding.
- **RECOMMENDED OVERLAPS:**
 - 50% for light & pedestrian traffic.
 - 66% for medium traffic & noise control.
 - 100% for dividers and temperature control.



Standard platform



Economy platform



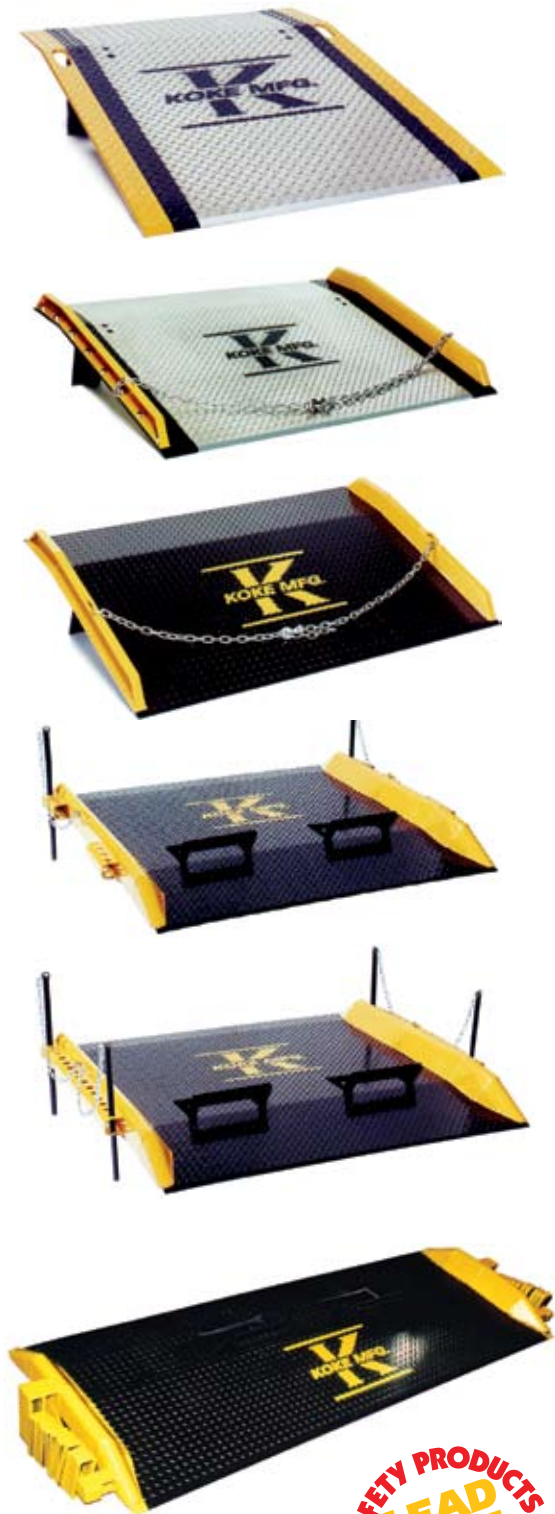
Two man platform

Work and Maintenance Platforms

Work Platforms for all maintenance projects.

- A dozen models to choose from.
- 1 Person, 2 Person, even non-conductive, non-corrosive.
- Add a back riser (required in CA), tool tray, casters or hinged doors.
- Choose from 24" wide to 120". Choose from 24" deep to 48".
- 42" standard height. Safety chains included. Meets OSHA standards.
- Ships KD (knock down) or fully assembled. Call for details.

Safety Accessories



DockPlates and DockBoards

ALUMINUM DOCKPLATES

Aluminum Dockplates are designed for pallet trucks and non-powered equipment. They come with hand holes for easy moving. Dockplates have an 11" lip with 11° bend standard. Available in $\frac{3}{8}$ " & $\frac{1}{2}$ " plate.

ALUMINUM DOCKBOARDS

Aluminum treadplate with steel side curbs. Dockboards have an 11" lip with an 11° bend. Available in 10,000 lb & 15,000 lb Capacities. Lifting chains are standard.

ECONOMY STEEL DOCKBOARDS

These 10,000 lb capacity dockboards feature $\frac{3}{8}$ " steel treadplate with welded steel side curbs. Lifting chains are standard.

STEEL DOCKBOARDS

Heavy duty dockboard with lifting loops & locking pins. Available in widths up to 78". Capacities up to 60,000 lbs.

UNIVERSAL STEEL DOCKBOARDS

These heavy duty dockboards are designed for standoff applications where the truck cannot back up all the way to the dock. Dockboards come standard with lifting loops, locking pins and full length pin pockets. Available in widths up to 78" and capacities to 60,000 lbs.

STEEL RAIL DOCKBOARDS

These dockboards are designed for rail car loading & unloading. Rectangular or flared boards are available in capacities up to 40,000 lbs. Lift loops and spacer rings standard.

CUSTOM MODELS AVAILABLE UPON REQUEST

In Stock



Application Photo Gallery

Applications are endless when you consider the amount of valuable assets that need protection.

Our products are securing many areas and are standing guard to protect the facilities and employees of small, medium and large corporations.

If you have an application that you would like to discuss, we will help you find the best solution to fit your needs. We have the experience and resources to assure that you and your facility will remain protected.

At "Save"ty Yellow Products it's our mission to help SAVE YOUR ASSETS!



Guarding equipment



Protecting machinery



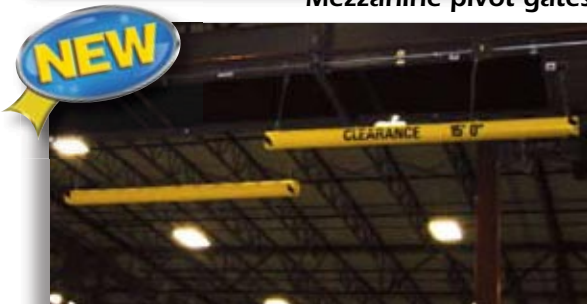
Guarding overhead conveyor



Mezzanine pivot gates



Self closing swing gate



Banger bars



Wall mounted swing gate



Guarding electrical panels

Our Products At Work:



Protecting traffic lane



Wall and rack protection



Guarding battery racks



End of aisle, one piece formed



New Dealers Welcome!

While we have many dealers around the country, there's room for more! As a **"Save"ty Yellow Products** dealer you can expect sales support in a number of ways.

- **"Save"ty Yellow Products** has manufacturer's reps who can provide sales training as well as help with specific applications.
- Literature is available, both in print and pdf files.

- A Power Point presentation is available for dealer use.
- A professional web site is maintained.
- Our products are advertised nationally.

Call for more information or for a quote. We are always open to discuss special applications.

"Save"ty Yellow Products reserves the right to make product improvements and changes without notice.

Toll Free: 1-877-728-3891



"Save"ty[®]

Yellow Products

TOLL FREE: 877-728-3891 ▪ Local: 630-293-8013 ▪ Fax: 630-876-1993
1092 Carolina Drive, Suite 3 ▪ West Chicago, IL 60185 ▪ sales@save-ty.com
www.save-ty.com



Authorized Dealer:

