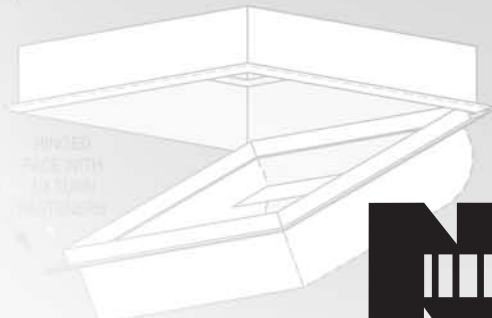


# HOSPITAL / CLEANROOM DIFFUSERS



 **Nailor**  
Industries Inc.

## Contents

Page No.

### General Product Overview

E3

### Radial Pattern Diffusers

92RPD-2	- Aluminum	- 180°	E6
92RPD-1	- Aluminum	- 90°	E6
92RPD-2SS	- Stainless Steel	- 180°	E8
92RPD-1SS	- Stainless Steel	- 90°	E8
92RPDF-2SS	- Stainless Steel	- 180° - HEPA or ULPA Filter	E16
92RPDF-1SS	- Stainless Steel	- 90° - HEPA or ULPA Filter	E16
92FRP-2AL	- Aluminum	- 180° - Flush Face	E27
92FRP-1AL	- Aluminum	- 90° - Flush Face	E27
92FRP-2	- Steel	- 180° - Flush Face	E27
92FRP-1	- Steel	- 90° - Flush Face	E27
92FRP-2SS	- Stainless Steel	- 180° - Flush Face	E31
92FRP-1SS	- Stainless Steel	- 90° - Flush Face	E31
92CBPRP-AL	- Aluminum	- 180° - Adjustable - Perforated Center	E38
92CBPRP	- Steel	- 180° - Adjustable - Perforated Center	E38
92CBSRP-AL	- Aluminum	- 180° - Adjustable - Straight Blade Center	E38
92CBSRP	- Steel	- 180° - Adjustable - Straight Blade Center	E38

### Laminar Flow Diffusers

92LFD-AL	- Aluminum	E43	
92LFD	- Steel	E43	
92LFD-SS	- Stainless Steel	E43	
92LDF-AL	- Aluminum	- HEPA or ULPA Filter	E50
92LDF-SS	- Stainless Steel	- HEPA or ULPA Filter	E50

### Steri-System Linear Slot (Curtain) Diffusers

92LS-SS	- Stainless Steel	E59
---------	-------------------	-----

### Steri-System Hospital Operating Room Air Systems

92STSYS	- Stainless Steel	E66
---------	-------------------	-----

### Stainless Steel Return/Filter Grilles & Registers

67FB45	- Stainless Steel	- 1/4 Turn Fasteners - 3/4" (19) Spacing - Fixed Blades	E86
67FB55	- Stainless Steel	- 1/4 Turn Fasteners - 1/2" (13) Spacing - Fixed Blades	E92

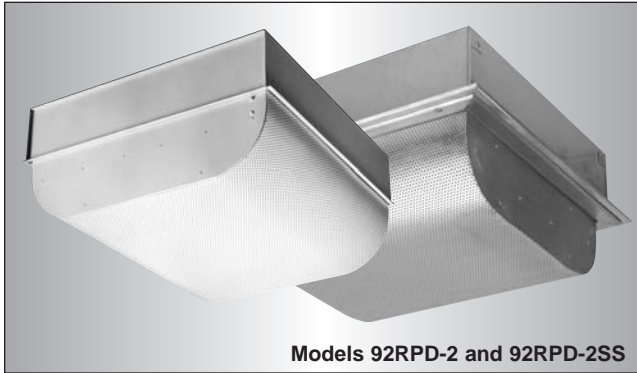
### Operating Room Air Distribution Engineering Guidelines

Introduction	E99
System Selection - Types of Systems	E100
The Steri-System Solution	E104
Application Guidelines	
- Perimeter Air Curtain Selection	E105
- Interior Laminar Flow Diffuser Selection	E106
- Selection of Steri-System Module Size	E106
- Selection of Return/Exhaust Air Outlets	E108
HEPA and ULPA Filters - Filter Selection and Applications	E109
Disinfection, Sterilization and Materials	E110
System Testing	E111
Suggested Specifications	E113
Suggested References and Recommendation Summary	E114

## GENERAL PRODUCT OVERVIEW

### Hospital/Cleanroom Diffusers

Nailor provides a complete line of diffusers with industry leading performance and quality features uniquely suited to hospital and cleanroom type applications. Products are constructed from heavy gauge aluminum, corrosion-resistant steel or 304 stainless steel, with 316 stainless steel construction as an available option, to handle the most demanding of applications.



Models 92RPD-2 and 92RPD-2SS



Model 92RPDF-2SS

### Radial Pattern Diffusers

This is Nailor's standard Radial Pattern Diffuser. The diffusers have been designed to provide low aspiration at high ventilation rates especially for cleanroom applications. The unique design of solid baffles in an intrusive perforated face can supply large volumes of air at low initial face velocities. Available in either a 180° or 90° radial flow pattern.

#### Aluminum –

Models 92RPD-2, 92RPD-1                      See page E6

#### Stainless Steel –

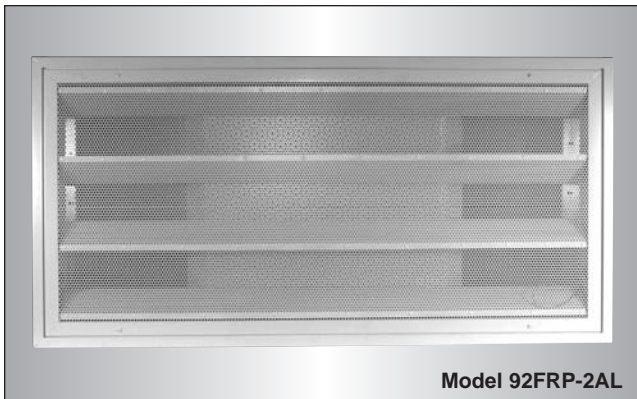
Models 92RPD-2SS, 92RPD-1SS              See page E8

### Radial Pattern Diffusers with Filters

This Radial Pattern Diffuser has a similar appearance to the standard model series 92RPD, however, it incorporates an extended plenum and a unique frame designed to accommodate a Gel Seal HEPA or ULPA filter. These high quality filters incorporate a separatorless 2" (51) deep media, integral test port and an anodized aluminum gel seal frame.

#### Stainless Steel –

Models 92RPDF-2SS, 92RPDF-1SS              See page E16



Model 92FRP-2AL



Models 92CBPRP and 92CBSRP

### Flush Face Radial Pattern Diffusers

This diffuser provides an air pattern very similar to the standard model but incorporates a unique 'Flush Face' appearance. Specially designed internal baffles and a pressure plate produce an excellent radial air pattern that allows large volumes of air to be supplied at low velocities. Available in either a 180° or 90° radial flow pattern.

#### Aluminum –

Models 92FRP-2AL, 92FRP-1AL              See page E27

Steel – Models 92FRP-2, 92FRP-1              See page E27

#### Stainless Steel –

Models 92FRP-2SS, 92FRP-1SS              See page E31

### Adjustable Radial Pattern Diffusers

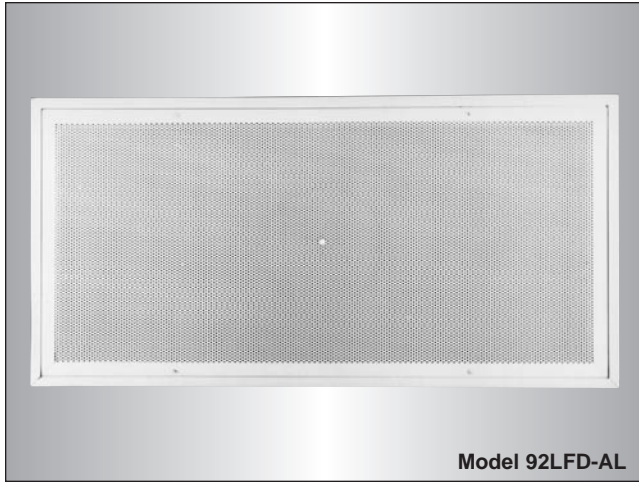
The Radial Pattern Diffuser in this series allows for adjustment of the air pattern. Nailor offers two distinct performance styles. One style incorporates adjustable straight blades that run the length of the center while the other style contains a perforated center. Both types include adjustable curved blades for directional control and are available in steel or aluminum construction.

#### Perforated Center –

Models 92CBPRP-AL, 92CBPRP              See page E38

#### Straight Blade Center –

Models 92CBSRP-AL, 92CBSRP              See page E38

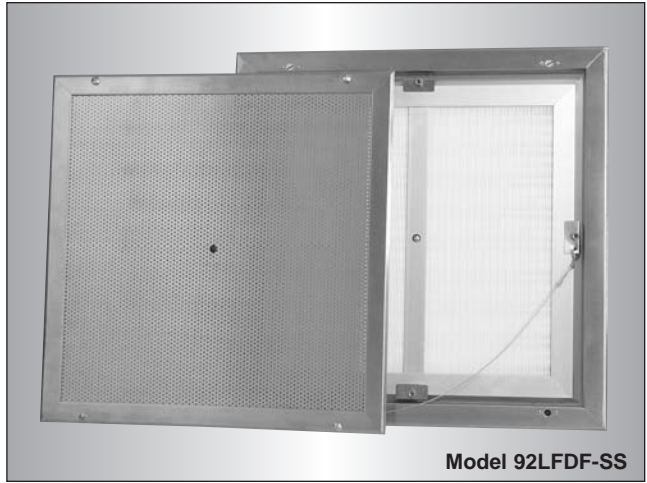


Model 92LFD-AL

## Laminar Flow Diffusers

This is Nailor's standard Laminar Flow Diffuser. This series utilizes the well proven and time tested concept of vertical air mass 'laminar flow' technology. They produce a non-aspirating low velocity, uniformly distributed downward moving 'piston' of conditioned air. They may be used individually or as in the case of hospital rooms, several units may be banked together to sufficiently cover the area and produce one combined laminar mass.

- |                                         |                     |
|-----------------------------------------|---------------------|
| <b>Aluminum – Model 92LFD-AL</b>        | <b>See page E43</b> |
| <b>Steel – Model 92LFD</b>              | <b>See page E43</b> |
| <b>Stainless Steel – Model 92LFD-SS</b> | <b>See page E43</b> |



Model 92LFDF-SS

## Laminar Flow Diffusers with Filters

This series of Laminar Flow Diffusers with Filters are similar to the standard model, however, they incorporate an extended plenum and a unique frame designed to accommodate a Gel Seal HEPA or ULPA filter. The filters can be easily removed and replaced from the face of the unit. These high quality filters incorporate a separatorless 2" (51) deep media, integral test port and an anodized aluminum gel seal frame.

- |                                          |                     |
|------------------------------------------|---------------------|
| <b>Aluminum – Model 92LFDF-AL</b>        | <b>See page E50</b> |
| <b>Stainless Steel – Model 92LFDF-SS</b> | <b>See page E50</b> |



Model 92LS-SS

## Steri-System Linear Slot Diffusers

The Nailor Steri-System Linear Slot Diffusers are specially designed to provide an air curtain for operating rooms. The unique slot design creates a continuous curtain of air, angled outwards 5 – 15°, that encloses the operating area and minimizes the possibility of contaminated air entering the surgical area. The single slot design creates a uniform low velocity curtain that minimizes entrainment of contaminated air into the curtain air stream. It also creates a wider velocity profile with less turbulence and hence less induction over similar two slot designs. The face design incorporates longitudinal deflectors that horizontally deflect a small amount of air lengthwise. This effectively joins the airflow through sections and corners with a truly continuous air curtain, resulting in enhanced isolation of the surgical area.

- |                                         |                     |
|-----------------------------------------|---------------------|
| <b>Stainless Steel – Model 92LS-SS</b>  | <b>See page E59</b> |
| Suffix '-O' adds a stainless steel OBD. |                     |



## Steri-System Hospital Operating Room Air Distribution Systems

This is a complete operating room ventilation system, specially designed to reduce airborne contaminants. Model 92LS-SS Linear Slot Diffusers, located around the perimeter, create a continuous low velocity curtain of air angled outwards 5 – 15°. The curtain encloses the operating area and minimizes the possibility of contaminated air entering the surgical area. Model 92LFD-SS Laminar Flow Diffusers, installed above the operating table; produce a low velocity non-aspirating, vertical air pattern. This low velocity 'clean' conditioned air flows over the operating table and greatly increases the ventilation rate within the surgical area. The Steri-System is available in fourteen standard module sizes with a wide variety of custom variations that allow it to be tailored to suit almost any application or configuration.

**Stainless Steel – Model 92STSYS** See page E66  
 Suffix '-O' adds stainless steel perimeter inlet balancing dampers.



## Return Air/Filter Grilles and Registers

The models in this series are stainless steel and designed to match and compliment the range of Hospital/Cleanroom supply diffusers. They are available with a variety of options including filter frames for 1" (25) or 2" (51) disposable filters, balancing dampers and 1/4 turn slot or wing nut fasteners.

**3/4" (19) Blade Spacing – Model 67FB45**

See page E86

**1/2" (13) Blade Spacing – Model 67FB55**

See page E92

Suffix '-O' adds a stainless steel OBD.

## RADIAL PATTERN DIFFUSERS

- UNIQUE DESIGN
- HIGH CAPACITY
- HINGED FACE
- ALUMINUM

### Models:

**92RPD-2**     180° Pattern

**92RPD-1**     90° Pattern



E

HOSPITAL / CLEANROOM DIFFUSERS

The **Model 92RPD Series Aluminum Radial Pattern Diffusers** have been designed to provide low aspiration and high ventilation rates especially for cleanroom applications such as research laboratories, animal labs, food processing, hospital rooms and computer rooms. The unique design of solid baffles in an intrusive perforated face can handle large volumes of air with low initial face velocities.

The **92RPD-2** model introduces air in a semi-cylindrical 180° radial flow pattern, flushing a room with large volumes of clean conditioned air, minimizing entrainment and hence mixing with contaminated air, while still allowing low room air velocities. The **92RPD-1** model introduces air in a 90° radial flow pattern for perimeter applications.

### FEATURES:

- Unique curved face design is pleasing to the eye. No unsightly sharp angles.
- Engineered design and performance are the result of extensive laboratory design and testing.

Standard **92RPD-2** model has a true 180° radial air pattern.

Model **92RPD-1** has a 90° radial pattern for perimeter applications.

- Removable face. Face of diffuser is attached to the plenum with a full length hinge and is secured with wing nuts. Opposite side is secured with a push-button latch mechanism.

The diffuser face simply hinges down for easy access to the interior for cleaning and sanitation or may be completely removed.

- Aluminum perforated face has 3/32" (2.4) dia. holes on 1/4" (6) staggered centers (13% free area).
- Extruded aluminum distribution baffles are secured with flush drive screws, preserving the clean appearance of the diffuser.
- Round inlets for simple duct connection.
- Standard unit designed for lay-in T-Bar ceiling systems.

**Material:** Aluminum face and baffles. Corrosion-resistant steel distribution plenums.

**Finish:** AW Appliance White baked enamel finish is standard. Other finishes are available.

### Options:

- DFA Drywall Frame is supplied for Type S Surface mount applications.
- AB Aluminum backpan.

## Dimensional Data

### Model Series 92RPD • Aluminum Radial Pattern Diffusers

#### Model 92RPD-2 180° Pattern

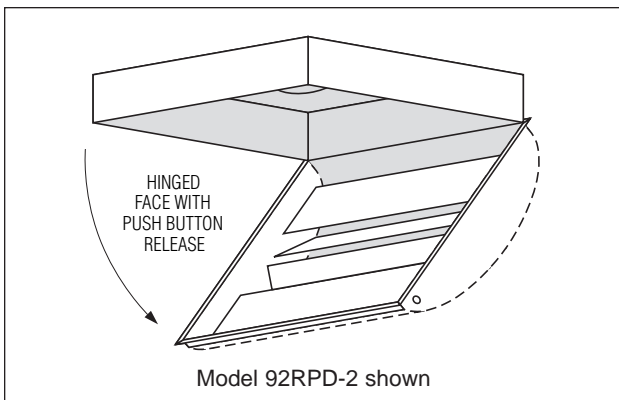
Imperial Modules				Metric Modules	
Imperial Units (inches)		S.I. Units (mm)		S.I. Units (mm)	
D	CM	D	CM	D	CM
8, 10	24 x 24	203, 254	610 x 610	203, 254	600 x 600
10, 12	24 x 48	254, 305	610 x 1219	254, 305	600 x 1200

**Type L Lay-in T-Bar**

#### Model 92RPD-1 90° Pattern

Imperial Modules				Metric Modules	
Imperial Units (inches)		S.I. Units (mm)		S.I. Units (mm)	
D	CM	D	CM	D	CM
8, 10	24 x 24	203, 254	610 x 610	203, 254	600 x 600
8, 10	12 x 48	203, 254	305 x 1219	203, 254	300 x 1200
10, 12	24 x 48	254, 305	610 x 1219	254, 305	600 x 1200

**Type L Lay-in T-Bar**



#### Type S Surface Mount

Supplied with DFA Drywall Mounting Frame.  
Permits Ceiling Plenum access. Unit lays in.

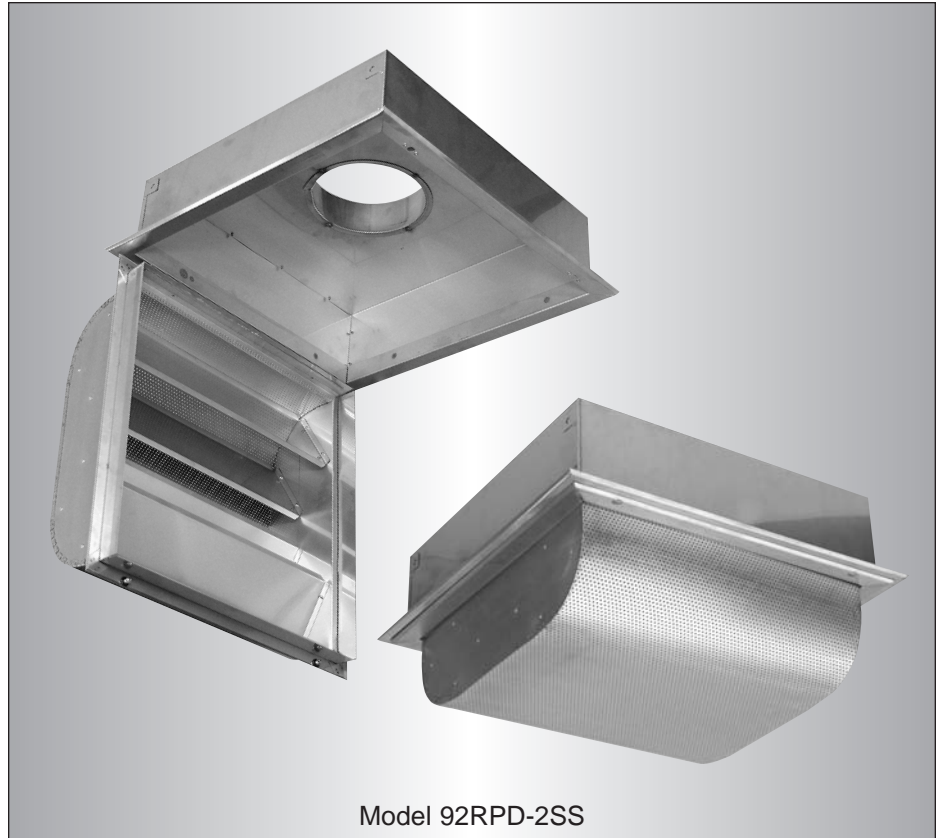
## RADIAL PATTERN DIFFUSERS

- UNIQUE DESIGN
- HIGH CAPACITY
- HINGED FACE
- STAINLESS STEEL

### Models:

**92RPD-2SS**    180° Pattern

**92RPD-1SS**    90° Pattern



Model 92RPD-2SS

The **Model 92RPD Series Stainless Steel Radial Pattern Diffusers** have been designed to provide low aspiration and high ventilation rates especially for cleanroom applications such as research laboratories, bio-technology facilities, animal labs, food processing, semi-conductor manufacturing, hospital rooms and computer rooms. The unique design of solid baffles in an intrusive perforated face can handle large volumes of air with low initial face velocities.

The **92RPD-2SS** model introduces air in a semi-cylindrical 180° radial flow pattern, flushing a room with large volumes of clean conditioned air, minimizing entrainment and hence mixing with contaminated air, while still allowing low room air velocities. The **92RPD-1SS** model introduces air in a 90° radial flow pattern for perimeter applications.

### FEATURES:

- Unique curved face design is pleasing to the eye. No unsightly sharp angles.
- Engineered design and performance are the result of extensive laboratory testing.
- Standard **92RPD-2SS** model has a true 180° radial air pattern.
- Model **92RPD-1SS** has a 90° radial pattern for perimeter applications.
- The face of the diffuser is attached to the plenum with two stainless steel hinges. The opposite side is secured with 1/4 turn fasteners.
- The diffuser face simply hinges down for easy access to the interior for cleaning and sanitation.
- Type 304 stainless steel perforated face has 3/32" (2.4) dia. holes on 1/4" (6) staggered centers (13% free area).
- Round inlets for simple duct connection.
- Standard unit designed for both lay-in T-Bar ceiling systems and surface mount applications.
- Integral earthquake hanger tabs are standard.

**Material:** 304 Stainless Steel face, backpan and baffles.

**Finish:** #3 Satin Polished finish is standard. Other finishes are available.

### Options:

- 316 Stainless Steel construction.
- AW Appliance White finish.



## Dimensional Data

### Model Series 92RPD • Stainless Steel Radial Pattern Diffusers

#### Model 92RPD-2SS 180° Pattern

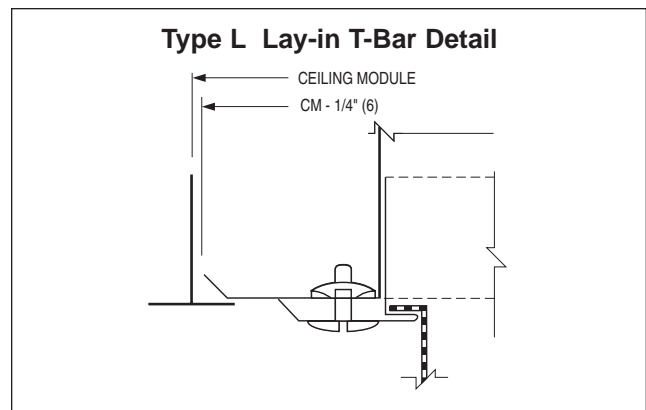
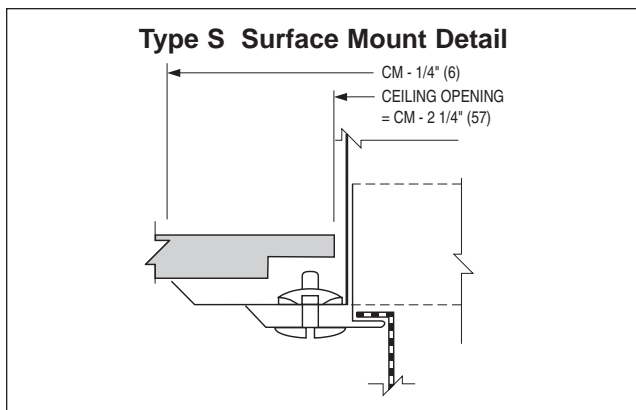
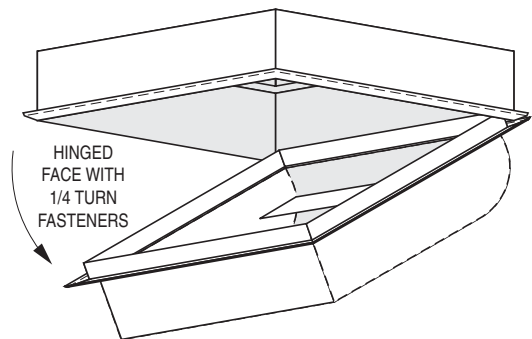
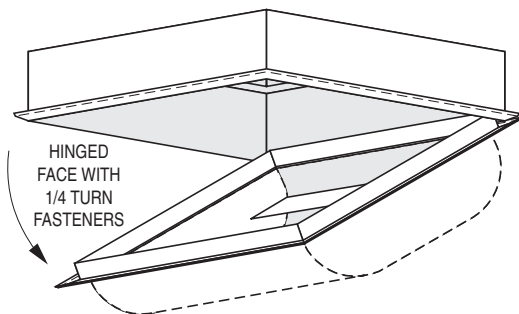
**Ceiling Module Sizes**

Imperial Modules				Metric Modules	
Imperial Units (inches)		S.I. Units (mm)		S.I. Units (mm)	
D	CM	D	CM	D	CM
8, 10	24 x 24	203, 254	610 x 610	203, 254	600 x 600
10, 12	48 x 24	254, 305	1219 x 610	254, 305	1200 x 600

#### Model 92RPD-1SS 90° Pattern

**Ceiling Module Sizes**

Imperial Modules				Metric Modules	
Imperial Units (inches)		S.I. Units (mm)		S.I. Units (mm)	
D	CM	D	CM	D	CM
8	48 x 12	203	1219 x 305	203	1200 x 300
8, 10	24 x 24	203, 254	610 x 610	203, 254	600 x 600
10, 12	48 x 24	254, 305	1219 x 610	254, 305	1200 x 600



## HOW TO SPECIFY OR TO ORDER

(Show complete Model Number and Size, unless "Default" is desired).

### Aluminum Radial Pattern Diffusers – Model Series 92RPD

92RPD-2 - 08 - 24 x 24 - L - AW - —

#### MODEL

- 180° Pattern 92RPD-2
- 90° Pattern 92RPD-1

#### ROUND INLET SIZE

(inches)	(mm)
08	(203)
10	(254)
12	(305)

#### CEILING MODULE SIZE

##### Imperial Modules

(inches)	(mm)	
- 48 x 12	(1219 x 305)	(Model 92RPD-1 only)
- 24 x 24	(610 x 610)	
- 48 x 24	(1219 x 610)	

##### Metric Modules (mm)

- 1200 x 300 (Model 92RPD-1 only)
- 600 x 600
- 1200 x 600

#### OPTIONS

- None (default) —
- Aluminum Backpan AB

#### FINISH

- Appliance White (default) AW
- Aluminum AL
- Special Custom Color SP
- Acrylic Appliance White AAW
- Acrylic Custom Color ASP

#### FRAME TYPE

- Lay-in T-Bar L
- Surface Mount S

#### Note:

1. Consult dimensional data as to limitations of model, module and neck size combinations.

#### SUGGESTED SPECIFICATION:

Furnish and install **Nailor Model** (select one) **92RPD-2** (180° pattern) or **92RPD-1** (90° pattern) **Aluminum Radial Pattern Ceiling Diffusers** of the sizes and capacities as shown on the plans and air distribution schedules. The diffusers shall have an aluminum perforated face that has 13% free area with 3/32" (2.4) dia. holes on 1/4" (6) staggered centers. The face shall have rounded corners and aluminum integral distribution baffles to provide a low velocity, non-aspirating radial air pattern. The diffuser shall have a corrosion-resistant steel distribution plenum (aluminum is optional). The face shall be attached to the plenum with a full length hinge on one side and a push button latch mechanism on the opposite side to allow for access to the interior for cleaning. The hinge shall be secured with wingnuts to allow for complete removal of the face. The finish shall be AW Appliance White baked enamel (optional finishes are available).

The manufacturer shall provide published performance data for the diffuser, which shall be tested in accordance with ANSI/ASHRAE Standard 70 – 2006.

## HOW TO SPECIFY OR TO ORDER

(Show complete Model Number and Size, unless "Default" is desired).

### Stainless Steel Radial Pattern Diffusers – Model Series 92RPD

**92RPD-2SS - 08 - 24 x 24 - L - #3 - —**

#### MODEL

- 180° Pattern 92RPD-2SS
- 90° Pattern 92RPD-1SS

#### ROUND INLET SIZE

(inches)	(mm)
08	(203)
10	(254)
12	(305)

#### CEILING MODULE SIZE

##### Imperial Modules

(inches)	(mm)	
- 48 x 12	(1219 x 305)	(Model 92RPD-1SS only)
- 24 x 24	(610 x 610)	
- 48 x 24	(1219 x 610)	

##### Metric Modules (mm)

- 1200 x 300 (Model 92RPD-1SS only)
- 600 x 600
- 1200 x 600

#### OPTIONS

- None (default) —
- 316 Stainless Steel Construction 316

#### FINISH

- #3 Satin Polished (default) #3
- Appliance White AW
- Special Custom Color SP

#### FRAME TYPE

- Lay-in T-Bar L
- Surface Mount S

#### Note:

1. Consult dimensional data as to limitations of model, module and neck size combinations.

#### SUGGESTED SPECIFICATION:

Furnish and install **Nailor Model** (select one) **92RPD-2SS** (180° pattern) or **92RPD-1SS** (90° pattern) **Stainless Steel Radial Pattern Ceiling Diffusers** of the sizes and capacities as shown on the plans and air distribution schedules. The diffusers shall be constructed entirely from 304 stainless steel (316 optional), minimum 24 gauge. The perforated face of the diffuser shall have 13% free area with 3/32" (2.4) dia. holes on 1/4" (6) staggered centers. The face shall have rounded corners and integral distribution baffles to provide a low velocity, non-aspirating radial air pattern. The face shall have 1/4 turn fasteners on one side and hinges on the other to allow for access to the interior for cleaning. Integral earthquake hanger tabs shall be included with all units. All exposed surfaces shall have a #3 satin polished finish (optional finishes are available).

The manufacturer shall provide published performance data for the diffuser, which shall be tested in accordance with ANSI/ASHRAE Standard 70 – 2006.

## Performance Data

Models 92RPD-2, 92RPD-2SS • 180° Pattern

### Imperial Units

24" x 24" or 600 mm x 600 mm Module Size • 8" (203 mm) dia. Inlet •  $\Delta T$  - 10°F (5.5°C)

Airflow CFM	Pt	Ps	NC	T Horizontal Throw @			T Vertical Throw @		
				100 FPM	75 FPM	50 FPM	100 FPM	75 FPM	50 FPM
300	.101	.055	21	1.0	1.5	2.0	2.5	3.0	4.0
400	.179	.097	30	1.5	2.0	2.5	3.0	4.0	5.0
500	.280	.152	38	2.0	2.5	3.0	3.5	4.5	5.5

48" x 24" or 1200 mm x 600 mm Module Size • 12" (305 mm) dia. Inlet •  $\Delta T$  - 10°F (5.5°C)

Airflow CFM	Pt	Ps	NC	T Horizontal Throw @			T Vertical Throw @		
				100 FPM	75 FPM	50 FPM	100 FPM	75 FPM	50 FPM
600	.072	.036	22	1.0	1.5	2.0	1.5	2.0	2.5
800	.129	.064	32	1.5	2.0	2.5	2.0	2.5	3.5
1000	.201	.100	41	2.0	2.5	3.5	2.5	3.0	4.5

**CFM** - cubic feet per minute

**FPM** - feet per minute velocity

**Pt** - total pressure - inches w.g.

**Ps** - static pressure - inches w.g.

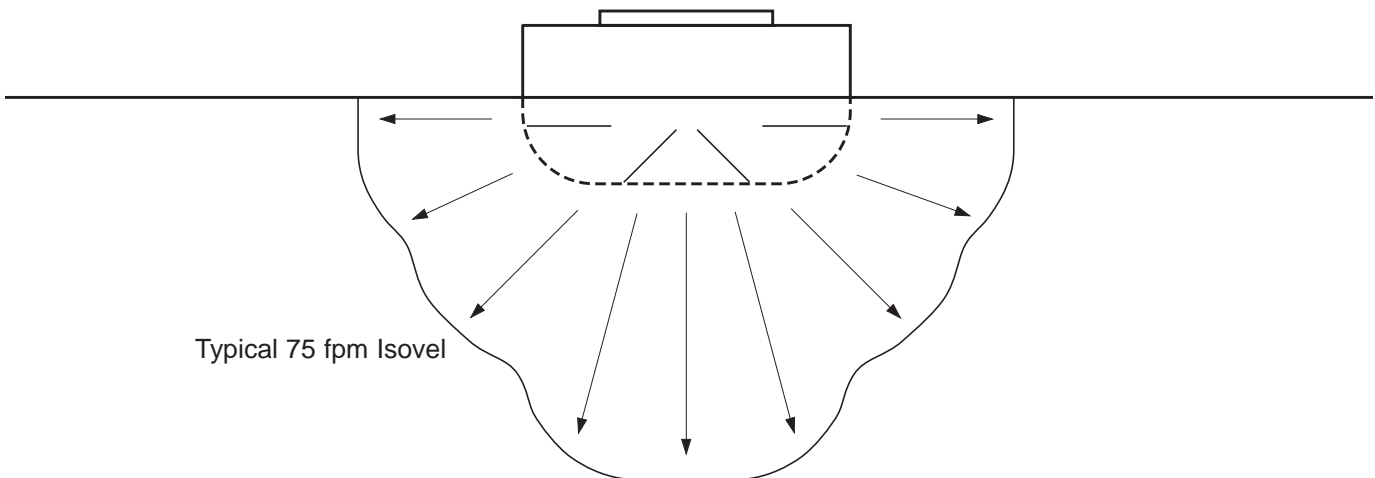
**T** - throw in feet

**NC** - Noise Criteria (values) based on 10 dB room absorption, re  $10^{-12}$  watts.

### Performance Notes:

1. The radial flow pattern of the **92RPD-2** and **92RPD-2SS** is unlike conventional air distribution devices. The data presented above describes isovels by average terminal velocity in both horizontal and vertical directions.
2.  $\Delta T$  is the temperature difference between supply and room air. Testing is based on 10°F (5.5°C) cooling.

3. Data derived from tests conducted in accordance with ANSI/ASHRAE Standard 70 – 2006.



## Performance Data

Models 92RPD-2, 92RPD-2SS • 180° Pattern

### Metric Units

610 mm x 610 mm or 600 mm x 600 mm Module Size • 8" (203 mm) dia. Inlet •  $\Delta T$  - 10°F (5.5°C)

Airflow L/S	Pt	Ps	NC	T Horizontal Throw @			T Vertical Throw @		
				0.51 M/S	0.38 M/S	0.25 M/S	0.51 M/S	0.38 M/S	0.25 M/S
142	25	14	21	0.3	0.5	0.6	0.8	0.9	1.2
189	44	24	30	0.5	0.6	0.8	0.9	1.2	1.5
236	70	38	38	0.6	0.8	0.9	1.1	1.4	1.7

1219 mm x 610 mm or 1200 mm x 600 mm Module Size • 12" (305 mm) dia. Inlet •  $\Delta T$  - 10°F (5.5°C)

Airflow L/S	Pt	Ps	NC	T Horizontal Throw @			T Vertical Throw @		
				0.51 M/S	0.38 M/S	0.25 M/S	0.51 M/S	0.38 M/S	0.25 M/S
283	18	9	22	0.3	0.5	0.6	0.5	0.6	0.8
378	32	16	32	0.5	0.6	0.8	0.6	0.8	1.1
472	50	25	41	0.6	0.8	1.1	0.8	0.9	1.4

**L/S** - litres per second

**M/S** - meters per second velocity

**Pt** - total pressure - Pa

**Ps** - static pressure - Pa

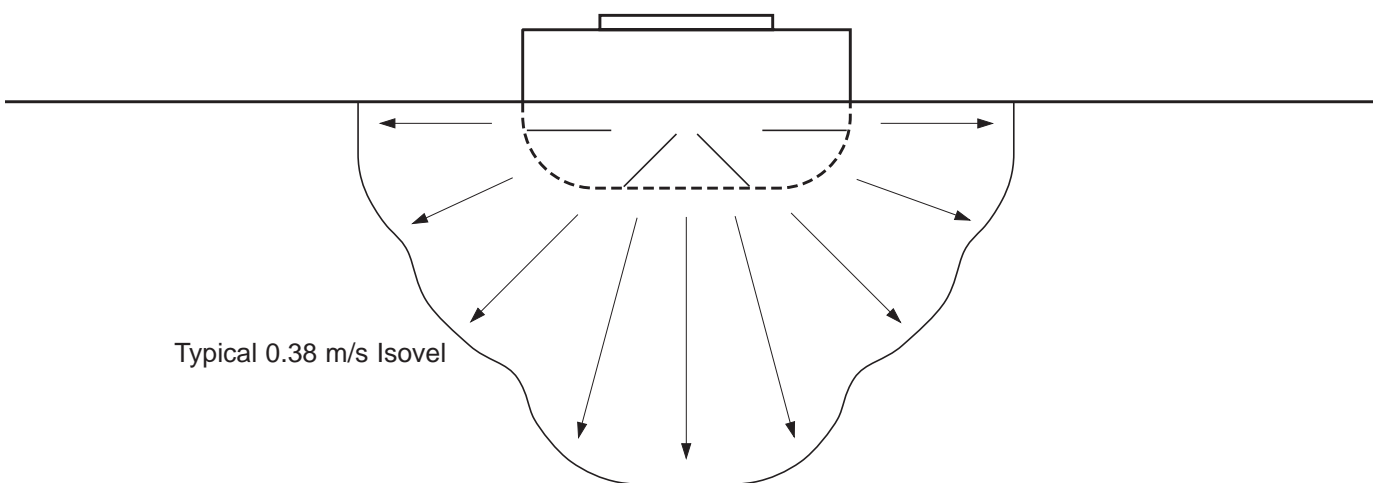
**T** - throw in meters

**NC** - Noise Criteria (values) based on 10 dB room absorption, re  $10^{-12}$  watts.

### Performance Notes:

1. The radial flow pattern of the **92RPD-2** and **92RPD-2SS** is unlike conventional air distribution devices. The data presented above describes isovels by average terminal velocity in both horizontal and vertical directions.
2.  $\Delta T$  is the temperature difference between supply and room air. Testing is based on 10°F (5.5°C) cooling.

3. Data derived from tests conducted in accordance with ANSI/ASHRAE Standard 70 – 2006.



## Performance Data

Models 92RPD-1, 92RPD-1SS • 90° Pattern

### Imperial Units

24" x 24" or 600 mm x 600 mm Module Size • 8" (203 mm) dia. Inlet •  $\Delta T$  - 10°F (5.5°C)

Airflow CFM	Pt	Ps	NC	T Horizontal Throw @			T Vertical Throw @		
				100 FPM	75 FPM	50 FPM	100 FPM	75 FPM	50 FPM
300	.114	.068	21	2.0	2.5	3.5	3.5	4.0	5.0
400	.203	.121	29	2.5	3.5	4.0	4.0	4.5	6.0
500	.317	.189	36	3.0	3.5	4.5	4.5	5.0	7.0

48" x 24" or 1200 mm x 600 mm Module Size • 12" (305 mm) dia. Inlet •  $\Delta T$  - 10°F (5.5°C)

Airflow CFM	Pt	Ps	NC	T Horizontal Throw @			T Vertical Throw @		
				100 FPM	75 FPM	50 FPM	100 FPM	75 FPM	50 FPM
600	.082	.046	21	1.5	2.5	3.5	3.0	4.0	6.0
800	.146	.081	30	2.0	3.0	4.0	3.5	5.0	7.5
1000	.228	.127	38	2.5	3.0	4.5	4.5	6.0	8.5

48" x 12" or 1200 mm x 300 mm Module Size • 8" (203 mm) dia. Inlet •  $\Delta T$  - 10°F (5.5°C)

Airflow CFM	Pt	Ps	NC	T Horizontal Throw @			T Vertical Throw @		
				100 FPM	75 FPM	50 FPM	100 FPM	75 FPM	50 FPM
300	.125	.079	22	1.5	2.0	3.0	1.0	1.5	2.0
400	.221	.139	30	2.0	2.5	3.5	2.0	2.5	3.5
500	.346	.218	37	2.5	3.5	4.5	2.5	3.0	4.0

**CFM** - cubic feet per minute

**FPM** - feet per minute velocity

**Pt** - total pressure - inches w.g.

**Ps** - static pressure - inches w.g.

**T** - throw in feet

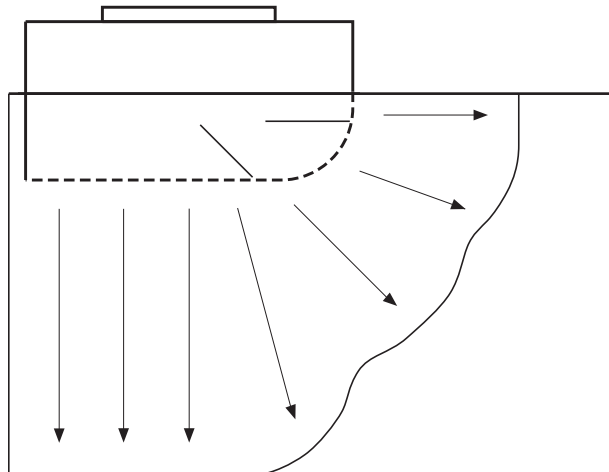
**NC** - Noise Criteria (values) based on 10 dB room absorption, re 10<sup>-12</sup> watts.

### Performance Notes:

1. The radial flow pattern of the **92RPD-1** and **92RPD-1SS** is unlike conventional air distribution devices. The data presented above describes isovels by average terminal velocity in both horizontal and vertical directions.

2.  $\Delta T$  is the temperature difference between supply and room air. Testing is based on 10°F (5.5°C) cooling.  
3. Data derived from tests conducted in accordance with ANSI/ASHRAE Standard 70 – 2006.

Typical 75 fpm Isovel



## Performance Data

Models 92RPD-1, 92RPD-1SS • 90° Pattern

### Metric Units

610 mm x 610 mm or 600 mm x 600 mm Module Size • 8" (203 mm) dia. Inlet •  $\Delta T$  - 10°F (5.5°C)

Airflow L/S	Pt	Ps	NC	T Horizontal Throw @			T Vertical Throw @		
				0.51 M/S	0.38 M/S	0.25 M/S	0.51 M/S	0.38 M/S	0.25 M/S
142	28	17	21	0.6	0.8	1.1	1.1	1.2	1.5
189	50	30	29	0.8	1.1	1.2	1.2	1.4	1.8
236	79	47	36	0.9	1.1	1.4	1.4	1.5	2.1

1219 mm x 610 mm or 1200 mm x 600 mm Module Size • 12" (305 mm) dia. Inlet •  $\Delta T$  - 10°F (5.5°C)

Airflow L/S	Pt	Ps	NC	T Horizontal Throw @			T Vertical Throw @		
				0.51 M/S	0.38 M/S	0.25 M/S	0.51 M/S	0.38 M/S	0.25 M/S
283	20	11	21	0.5	0.8	1.1	0.9	1.2	1.8
378	36	20	30	0.6	0.9	1.2	1.1	1.5	2.3
472	57	32	38	0.8	0.9	1.4	1.4	1.8	2.6

1219 mm x 305 mm or 1200 mm x 300 mm Module Size • 8" (203 mm) dia. Inlet •  $\Delta T$  - 10°F (5.5°C)

Airflow L/S	Pt	Ps	NC	T Horizontal Throw @			T Vertical Throw @		
				0.51 M/S	0.38 M/S	0.25 M/S	0.51 M/S	0.38 M/S	0.25 M/S
142	31	20	22	0.5	0.6	0.9	0.3	0.5	0.6
189	55	35	30	0.6	0.8	1.1	0.6	0.8	1.1
236	86	54	37	0.8	1.1	1.4	0.8	0.9	1.2

**L/S** - litres per second

**M/S** - meters per second velocity

**Pt** - total pressure - Pa

**Ps** - static pressure - Pa

**T** - throw in meters

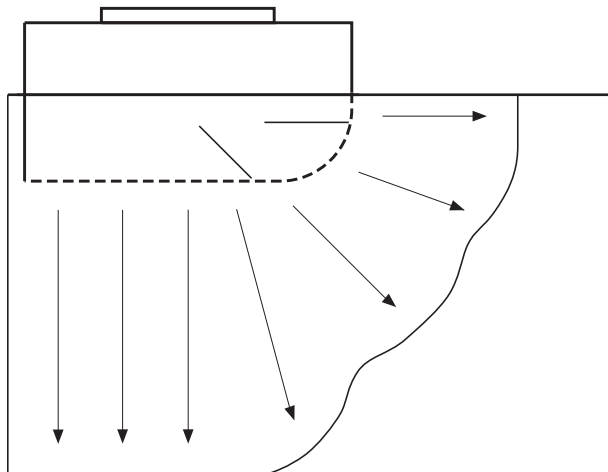
**NC** - Noise Criteria (values) based on 10 dB room absorption, re  $10^{-12}$  watts.

### Performance Notes:

1. The radial flow pattern of the **92RPD-1** and **92RPD-1SS** is unlike conventional air distribution devices. The data presented above describes isovels by average terminal velocity in both horizontal and vertical directions.

2.  $\Delta T$  is the temperature difference between supply and room air. Testing is based on 10°F (5.5°C) cooling.  
3. Data derived from tests conducted in accordance with ANSI/ASHRAE Standard 70 – 2006.

Typical 0.38 m/s Isovel



HOSPITAL/CLEANROOM DIFFUSERS

## RADIAL PATTERN DIFFUSERS WITH FILTERS

- UNIQUE DESIGN
- HEPA OR ULPA FILTERS
- HINGED FACE
- STAINLESS STEEL

### Models:

92RPDF-2SS 180° Pattern

92RPDF-1SS 90° Pattern



The **Model 92RPDF Series Radial Pattern Diffusers with Filters** have been designed to provide low aspiration and high ventilation rates especially for cleanroom applications such as research laboratories, bio-technology facilities, animal labs, semi-conductor manufacturing, food processing, hospital rooms and computer rooms. The unique design of solid baffles in an intrusive perforated face can handle large volumes of air with low initial face velocities. They are designed with an integral 'knife-edge' frame to accommodate a Gel Seal HEPA or ULPA filter. The filters can be easily removed and replaced from the face of the unit. These high quality filters incorporate a separatorless 2" (51) deep media, integral test port and an anodized aluminum gel seal frame.

The **92RPDF-2SS** model introduces air in a semi-cylindrical 180° radial flow pattern, flushing a room with large volumes of clean conditioned air, minimizing entrainment and hence mixing with contaminated air, while still allowing low room air velocities. The **92RPDF-1SS** model introduces air in a 90° radial flow pattern for perimeter applications.

### FEATURES:

- Unique curved face design is pleasing to the eye. No unsightly sharp angles.
- Engineered design and performance are the result of extensive laboratory testing.

Standard **92RPDF-2SS** model has a true 180° radial air pattern.

Model **92RPDF-1SS** has a 90° radial pattern for perimeter applications.

- The face of the diffuser is attached to the plenum with two stainless steel hinges. The opposite side is secured with 1/4 turn fasteners.
- The diffuser face simply hinges down for easy access to the interior for cleaning and sanitation.
- Type 304 stainless steel perforated face has 3/32" (2.4) dia. holes on 60°

1/4" (6) staggered centers (13% free area).

- Integral 'knife-edge' frame accommodates Gel Seal HEPA or ULPA filters.

- Clear anodized extruded aluminum filter frame with a removable test port for damper adjustment, filter pressure drop measurement or to perform leakage (scan) tests.

- HEPA Filter (99.99% on 0.3 μm) is supplied as standard.

- Filters are packaged independently from the diffuser for final installation in the field (by others).

- Round inlets for simple duct connection.

- Standard unit designed for both lay-in T-Bar ceiling systems and surface mount applications.

- Integral earthquake hanger tabs are standard.

**Material:** 304 Stainless Steel face, backpan and baffles.

**Finish:** #3 Satin Polished finish is standard. Other finishes are available.

### Options:

- 316 Stainless Steel construction.
- UL ULPA Filter (99.9995% on 0.12 μm).
- AW Appliance White finish.



## Dimensional Data

### Model Series 92RPDF Stainless Steel • Radial Pattern Diffusers with Filters

#### Model 92RPDF-2SS 180° Pattern

CM = CEILING MODULE  
CM - 1/4" (6)

NOMINAL ROUND DUCT DIA. D  
NECK SIZE = D - 1/8" (3)

2 1/2" (64)

HEPA OR ULPA FILTER

9" (229)

HINGE

6" (152)

PERFORATED FACE

BAFFLES

**Ceiling Module Sizes**

Imperial Modules				Metric Modules	
Imperial Units (inches)		S.I. Units (mm)		S.I. Units (mm)	
D	CM	D	CM	D	CM
8, 10	24 x 24	203, 254	610 x 610	203, 254	600 x 600
10, 12	48 x 24	254, 305	1219 x 610	254, 305	1200 x 600

#### Model 92RPDF-1SS 90° Pattern

CM = CEILING MODULE  
CM - 1/4" (6)

NOMINAL ROUND DUCT DIA. D  
NECK SIZE = D - 1/8" (3)

2 1/2" (64)

HEPA OR ULPA FILTER

9" (229)

HINGE

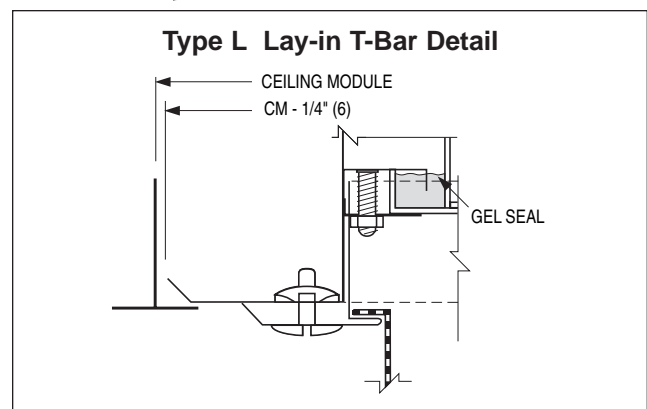
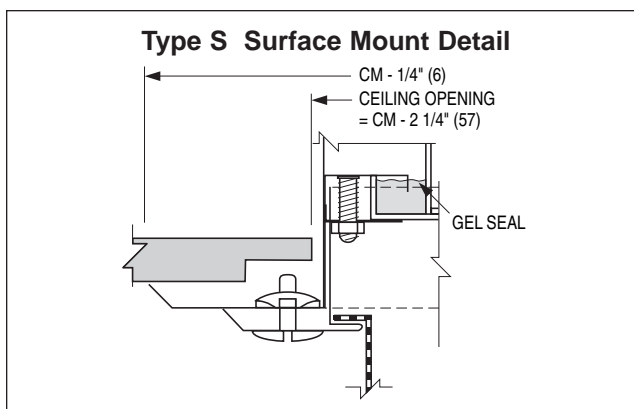
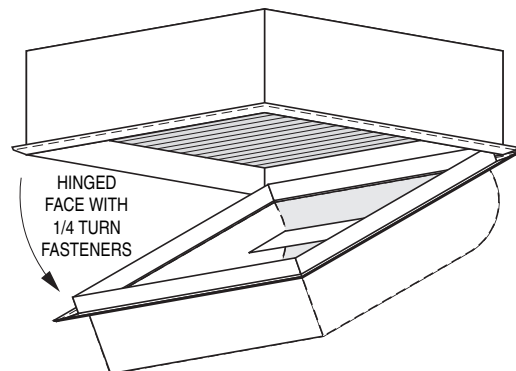
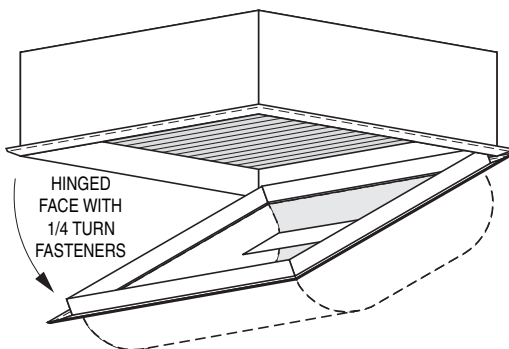
6" (152)

PERFORATED FACE

BAFFLES

**Ceiling Module Sizes**

Imperial Modules				Metric Modules	
Imperial Units (inches)		S.I. Units (mm)		S.I. Units (mm)	
D	CM	D	CM	D	CM
8	48 x 12	203	1219 x 305	203	1200 x 300
8, 10	24 x 24	203, 254	610 x 610	203, 254	600 x 600
10, 12	48 x 24	254, 305	1219 x 610	254, 305	1200 x 600



E

HOSPITAL / CLEANROOM DIFFUSERS

## HOW TO SPECIFY OR TO ORDER

(Show complete Model Number and Size, unless "Default" is desired).

### Stainless Steel Radial Pattern Diffusers with Filters – Model Series 92RPDF

**92RPDF-2SS - 08 - 24 x 24 - L - #3 - HE - —**

#### MODEL

- Type 304 Stainless Steel
- 180° Pattern 92RPDF-2SS
- 90° Pattern 92RPDF-1SS

#### ROUND INLET SIZE

(inches)	(mm)
08	(203)
10	(254)
12	(305)

#### CEILING MODULE SIZE

##### Imperial Modules

(inches)	(mm)	
- 48 x 12	(1219 x 305)	(Model 92RPDF-1SS only)
- 24 x 24	(610 x 610)	
- 48 x 24	(1219 x 610)	

##### Metric Modules (mm)

- 1200 x 300 (Model 92RPDF-1SS only)
- 600 x 600
- 1200 x 600

#### OPTIONS

- None (default) —
- 316 Stainless Steel Construction 316

#### FILTER

- HEPA Filter (default) (99.99% on 0.3 µm) HE
- ULPA Filter (99.9995% on 0.12 µm) UL
- Filter by Others FBO

#### FINISH

- #3 Satin Polished (default) #3
- Appliance White AW
- Special Custom Color SP

#### FRAME TYPE

- Lay-in T-Bar L
- Surface Mount S

HOSPITAL / CLEANROOM DIFFUSERS

#### Note:

1. Consult dimensional data as to limitations of model, module and neck size combinations.

#### SUGGESTED SPECIFICATION:

Furnish and install **Nailor Model** (select one) **92RPDF-2SS** (180° pattern) or **92RPDF-1SS** (90° pattern) **Radial Pattern Ceiling Diffusers with Filters** of the sizes and types shown on the plans and air distribution schedules. The diffusers shall be constructed entirely from 304 stainless steel (316 optional), minimum 24 gauge. The perforated face of the diffuser shall have 13% free area with 3/32" (2.4) dia. holes on 60°, 1/4" (6) staggered centers. The face shall have rounded corners and integral distribution baffles to provide a low velocity, non-aspirating radial air pattern. The face shall have 1/4 turn fasteners on one side and hinges on the other to allow for access to the interior for cleaning. Integral earthquake hanger tabs shall be included with all units. All exposed surfaces shall have a #3 satin polished finish (optional finishes are available).

The diffuser plenum shall incorporate an integral filter frame to accommodate a Gel Seal filter. Filters shall be securely held in place by at least four mounting brackets allowing filter removal from the face of the diffuser without disturbing installed ductwork or the diffuser mounting surface. Filters shall incorporate a removable test port, to measure filter pressure drop, perform leakage (scan) tests and to adjust the optional dampers without removing the filter. The filters efficiency shall be HEPA: 99.99% minimum removal efficiency on 0.30 micrometer particle size (ULPA: 99.9995% minimum removal efficiency on 0.12 micrometer particle size optional). Filters shall incorporate an anodized extruded aluminum frame and a 2" (51) deep separatorless filter pack. All filters shall be UL 900 Class I Listed and Factory Mutual Approved. All filters shall be individually scan tested per Section 6.2 of IEST-RP-CC034.1. Filters are to be packaged independently from the diffuser for final installation of the filter in the field (by others).

The manufacturer shall provide published performance data for the diffuser, which shall be tested in accordance with ANSI/ASHRAE Standard 70 – 2006.

## Performance Data

Model 92RPDF-2SS • 180° Pattern

With HEPA Filter • 99.99% Minimum Removal Efficiency on 0.30 Micrometer Particle Size

Imperial Units

24" x 24" or 600 mm x 600 mm Module Size • 8" (203 mm) dia. Inlet •  $\Delta T$  – 10°F (5.5°C)

Airflow CFM	Pt	Ps	NC	T Horizontal Throw @			T Vertical Throw @		
				100 FPM	75 FPM	50 FPM	100 FPM	75 FPM	50 FPM
100	.14	.14	–	0.5	0.5	1.0	0.5	1.0	1.5
150	.32	.31	–	0.5	1.0	1.0	1.0	1.0	2.0
200*	.57	.55	16	0.5	1.0	1.5	1.5	2.0	3.0
250	.89	.86	19	1.0	1.5	2.0	2.0	2.5	3.5
295**	1.24	1.19	22	1.0	1.5	2.0	2.5	3.0	4.0

48" x 24" or 1200 mm x 600 mm Module Size • 12" (305 mm) dia. Inlet •  $\Delta T$  – 10°F (5.5°C)

Airflow CFM	Pt	Ps	NC	T Horizontal Throw @			T Vertical Throw @		
				100 FPM	75 FPM	50 FPM	100 FPM	75 FPM	50 FPM
300	.22	.22	–	0.5	0.5	1.0	0.5	1.0	1.5
400	.40	.38	–	0.5	1.0	1.5	0.5	1.0	2.0
500*	.62	.60	19	1.0	1.0	1.5	1.0	1.5	2.0
600	.90	.86	23	1.0	1.5	2.0	1.5	2.0	2.5
715**	1.27	1.22	28	1.5	2.0	2.5	2.0	2.5	3.0

**CFM** - cubic feet per minute

**FPM** - feet per minute velocity

**Pt** - total pressure - inches w.g.

**Ps** - static pressure - inches w.g.

**T** - throw in feet

**NC** - Noise Criteria (values) based on 10 dB room absorption, re 10<sup>-12</sup> watts.

### Performance Notes:

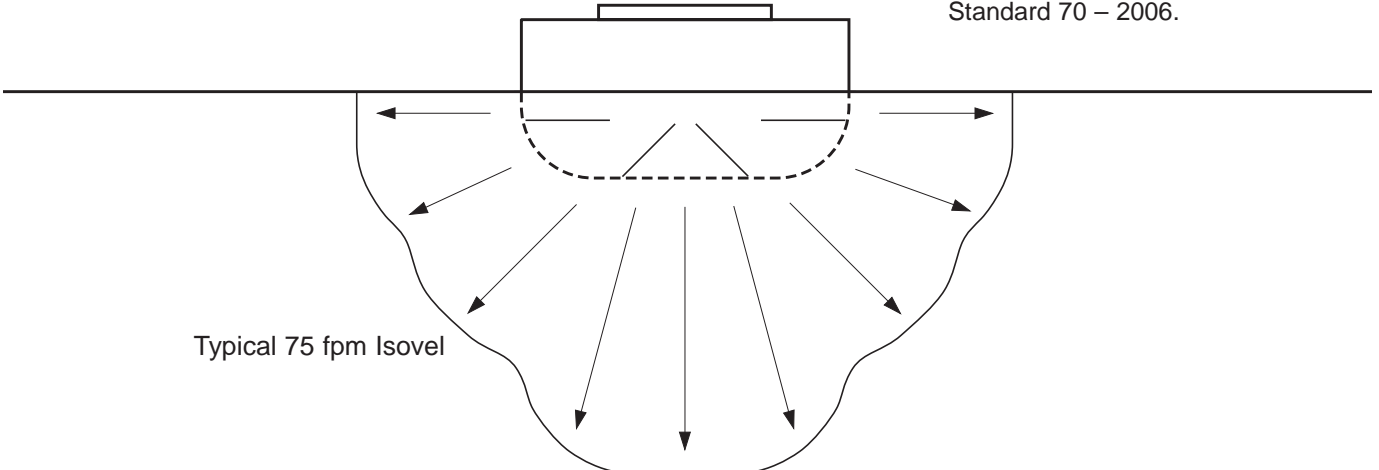
1. The radial flow pattern of the 92RPDF-2SS is unlike conventional air distribution devices. The data presented above describes isovels by average terminal velocity in both horizontal and vertical directions.
2.  $\Delta T$  is the temperature difference between supply and room air. Testing is based on 10°F (5.5°C) cooling.
3. Performance data is for diffusers with clean filters. Filters may be operated up to a final resistance of 2" w.g. (500 Pa).

4.\* Recommended maximum airflow is based on 100 fpm (0.51 m/s) velocity per square foot of filter media face area.

\*\* Maximum airflow shown is based on 150 fpm (0.76 m/s) velocity per square foot of filter media face area. Exceeding these airflows may result in reduced filter efficiencies.

Refer to the engineering section for more details.

5. Data derived from tests conducted in accordance with ANSI/ASHRAE Standard 70 – 2006.



## Performance Data

Model 92RPDF-2SS • 180° Pattern

With HEPA Filter • 99.99% Minimum Removal Efficiency on 0.30 Micrometer Particle Size  
Metric Units

610 mm x 610 mm or 600 mm x 600 mm Module Size • 8" (203 mm) dia. Inlet •  $\Delta T$  – 10°F (5.5°C)

Airflow L/S	Pt	Ps	NC	T Horizontal Throw @			T Vertical Throw @		
				0.51 M/S	0.38 M/S	0.25 M/S	0.51 M/S	0.38 M/S	0.25 M/S
47	35	35	–	0.2	0.2	0.3	0.2	0.3	0.5
71	80	77	–	0.2	0.3	0.3	0.3	0.3	0.6
94 *	142	137	16	0.2	0.3	0.5	0.5	0.6	0.9
118	221	214	19	0.3	0.5	0.6	0.6	0.8	1.1
139**	308	296	22	0.3	0.5	0.6	0.8	0.9	1.2

1219 mm x 610 mm or 1200 mm x 600 mm Module Size • 12" (305 mm) dia. Inlet •  $\Delta T$  – 10°F (5.5°C)

Airflow L/S	Pt	Ps	NC	T Horizontal Throw @			T Vertical Throw @		
				0.51 M/S	0.38 M/S	0.25 M/S	0.51 M/S	0.38 M/S	0.25 M/S
142	55	55	–	0.2	0.2	0.3	0.2	0.3	0.5
189	99	94	–	0.2	0.3	0.5	0.2	0.3	0.6
236*	154	149	19	0.3	0.3	0.5	0.3	0.5	0.6
283	224	214	23	0.3	0.5	0.6	0.5	0.6	0.8
337**	316	303	28	0.5	0.6	0.8	0.6	0.8	0.9

L/S - litres per second

M/S - meters per second velocity

Pt - total pressure - Pa

Ps - static pressure - Pa

T - throw in meters

NC - Noise Criteria (values) based on 10 dB room absorption, re  $10^{-12}$  watts.

### Performance Notes:

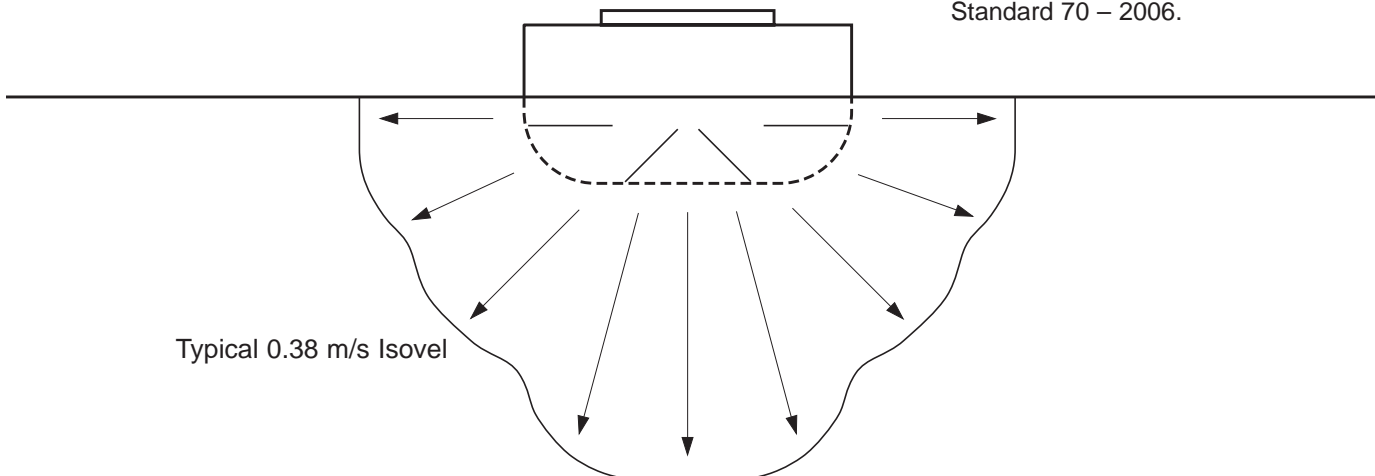
1. The radial flow pattern of the 92RPDF-2SS is unlike conventional air distribution devices. The data presented above describes isovels by average terminal velocity in both horizontal and vertical directions.
2.  $\Delta T$  is the temperature difference between supply and room air. Testing is based on 10°F (5.5°C) cooling.
3. Performance data is for diffusers with clean filters. Filters may be operated up to a final resistance of 2" w.g. (500 Pa).

4.\* Recommended maximum airflow is based on 100 fpm (0.51 m/s) velocity per square foot of filter media face area.

\*\* Maximum airflow shown is based on 150 fpm (0.76 m/s) velocity per square foot of filter media face area. Exceeding these airflows may result in reduced filter efficiencies.

Refer to the engineering section for more details.

5. Data derived from tests conducted in accordance with ANSI/ASHRAE Standard 70 – 2006.



## Performance Data

Model 92RPDF-1SS • 90° Pattern

With HEPA Filter • 99.99% Minimum Removal Efficiency on 0.30 Micrometer Particle Size  
Imperial Units

24" x 24" or 600 mm x 600 mm Module Size • 8" (203 mm) dia. Inlet •  $\Delta T$  – 10°F (5.5°C)

Airflow CFM	Pt	Ps	NC	T Horizontal Throw @			T Vertical Throw @		
				100 FPM	75 FPM	50 FPM	100 FPM	75 FPM	50 FPM
100	.14	.14	–	0.5	1.0	1.5	1.0	1.5	2.5
150	.32	.31	–	1.0	1.5	2.0	2.0	2.5	3.5
200*	.57	.55	16	1.5	2.0	2.5	2.5	3.5	4.0
250	.89	.86	19	2.0	2.5	3.0	3.0	3.5	4.5
295**	1.24	1.19	22	2.0	2.5	3.5	3.5	4.0	5.0

48" x 24" or 1200 mm x 600 mm Module Size • 12" (305 mm) dia. Inlet •  $\Delta T$  – 10°F (5.5°C)

Airflow CFM	Pt	Ps	NC	T Horizontal Throw @			T Vertical Throw @		
				100 FPM	75 FPM	50 FPM	100 FPM	75 FPM	50 FPM
300	.23	.22	–	0.5	1.0	1.5	1.5	2.0	2.5
400	.40	.39	–	1.0	1.5	2.0	2.0	3.0	4.0
500*	.63	.60	19	1.0	2.0	3.0	2.5	3.5	5.0
600	.91	.87	23	1.5	2.5	3.5	3.0	4.0	6.0
715**	1.29	1.23	28	2.0	3.0	4.0	3.5	4.5	6.5

48" x 12" or 1200 mm x 300 mm Module Size • 8" (203 mm) dia. Inlet •  $\Delta T$  – 10°F (5.5°C)

Airflow CFM	Pt	Ps	NC	T Horizontal Throw @			T Vertical Throw @		
				100 FPM	75 FPM	50 FPM	100 FPM	75 FPM	50 FPM
100	.14	.14	–	0.5	0.5	1.0	0.5	0.5	1.0
150	.33	.31	–	0.5	1.0	1.5	0.5	1.0	1.5
200*	.58	.56	17	1.0	1.5	2.0	0.5	1.0	1.5
250	.90	.87	20	1.0	1.5	2.5	1.0	1.5	2.0
290**	1.22	1.17	23	1.5	2.0	3.0	1.0	1.5	2.0

**CFM** - cubic feet per minute

**FPM** - feet per minute velocity

**Pt** - total pressure - inches w.g.

**Ps** - static pressure - inches w.g.

**T** - throw in feet

**NC** - Noise Criteria (values) based on 10 dB room absorption, re  $10^{-12}$  watts.

### Performance Notes:

1. The radial flow pattern of the 92RPDF-1SS is unlike conventional air distribution devices. The data presented above describes isovels by average terminal velocity in both horizontal and vertical directions.

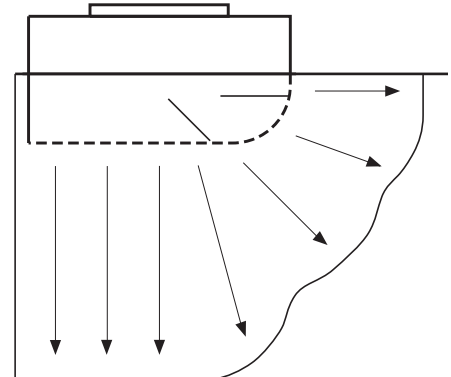
2.  $\Delta T$  is the temperature difference between supply and room air. Testing is based on 10°F (5.5°C) cooling.

3. Performance data is for diffusers with clean filters. Filters may be operated up to a final resistance of 2" w.g. (500 Pa).

4.\*Recommended maximum airflow is based on 100 fpm (0.51 m/s) velocity per square foot of filter media face area.

\*\*Maximum airflow shown is based on 150 fpm (0.76 m/s) velocity per square foot of filter media face area. Exceeding these airflows may result in reduced filter efficiencies. Refer to the engineering section for more details.

5. Data derived from tests conducted in accordance with ANSI/ASHRAE Standard 70 – 2006.



Typical 75 fpm Isovlel

## Performance Data

Model 92RPDF-1SS • 90° Pattern

With HEPA Filter • 99.99% Minimum Removal Efficiency on 0.30 Micrometer Particle Size

Metric Units

610 mm x 610 mm or 600 mm x 600 mm Module Size • 8" (203 mm) dia. Inlet •  $\Delta T - 10^{\circ}\text{F}$  ( $5.5^{\circ}\text{C}$ )

Airflow L/S	Pt	Ps	NC	T Horizontal Throw @			T Vertical Throw @		
				0.51 M/S	0.38 M/S	0.25 M/S	0.51 M/S	0.38 M/S	0.25 M/S
47	35	35	-	0.2	0.3	0.5	0.3	0.5	0.8
71	80	77	-	0.3	0.5	0.6	0.6	0.8	1.1
94 *	142	137	16	0.5	0.6	0.8	0.8	1.1	1.2
118	221	214	19	0.6	0.8	0.9	0.9	1.1	1.4
139**	308	296	22	0.6	0.8	1.1	1.1	1.2	1.5

1219 mm x 610 mm or 1200 mm x 600 mm Module Size • 12" (305 mm) dia. Inlet •  $\Delta T - 10^{\circ}\text{F}$  ( $5.5^{\circ}\text{C}$ )

Airflow L/S	Pt	Ps	NC	T Horizontal Throw @			T Vertical Throw @		
				0.51 M/S	0.38 M/S	0.25 M/S	0.51 M/S	0.38 M/S	0.25 M/S
142	57	55	-	0.2	0.3	0.5	0.5	0.6	0.8
189	99	97	-	0.3	0.5	0.6	0.6	0.9	1.2
236*	157	149	19	0.3	0.6	0.9	0.8	1.1	1.5
283	226	216	23	0.5	0.8	1.1	0.9	1.2	1.8
337**	321	306	28	0.6	0.9	1.2	1.1	1.4	2.0

1219 mm x 305 mm or 1200 x 300 mm Module Size • 8" (203 mm) dia. Inlet •  $\Delta T - 10^{\circ}\text{F}$  ( $5.5^{\circ}\text{C}$ )

Airflow L/S	Pt	Ps	NC	T Horizontal Throw @			T Vertical Throw @		
				0.51 M/S	0.38 M/S	0.25 M/S	0.51 M/S	0.38 M/S	0.25 M/S
47	35	35	-	0.2	0.2	0.3	0.2	0.2	0.3
71	82	77	-	0.2	0.3	0.5	0.2	0.3	0.5
94 *	144	139	17	0.3	0.5	0.6	0.2	0.3	0.5
118	224	216	20	0.3	0.5	0.8	0.3	0.5	0.6
137**	303	291	23	0.5	0.6	0.9	0.3	0.5	0.6

L/S - litres per second

M/S - meters per second velocity

Pt - total pressure - Pa

Ps - static pressure - Pa

T - throw in meters

NC - Noise Criteria (values) based on 10 dB room absorption, re  $10^{-12}$  watts.

### Performance Notes:

1. The radial flow pattern of the 92RPDF-1SS is unlike conventional air distribution devices. The data presented above describes isovels by average terminal velocity in both horizontal and vertical directions.

2.  $\Delta T$  is the temperature difference between supply and room air. Testing is based on  $10^{\circ}\text{F}$  ( $5.5^{\circ}\text{C}$ ) cooling.

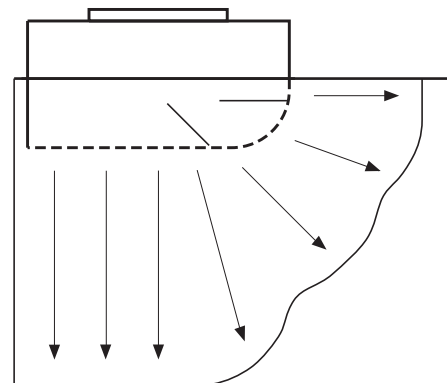
3. Performance data is for diffusers with clean filters. Filters may be operated up to a final resistance of 2" w.g. (500 Pa).

4.\*Recommended maximum airflow is based on 100 fpm (0.51 m/s) velocity per square foot of filter media face area.

\*\* Maximum airflow shown is based on 150 fpm (0.76 m/s) velocity per square foot of filter media face area. Exceeding these airflows may result in reduced filter efficiencies.

Refer to the engineering section for more details.

5. Data derived from tests conducted in accordance with ANSI/ASHRAE Standard 70 - 2006.



Typical 0.38 m/s Isovel

## Performance Data

Model 92RPDF-2SS • 180° Pattern

With ULPA Filter • 99.9995% Minimum Removal Efficiency on 0.12 Micrometer Particle Size  
Imperial Units

24" x 24" or 600 mm x 600 mm Module Size • 8" (203 mm) dia. Inlet •  $\Delta T$  – 10°F (5.5°C)

Airflow CFM	Pt	Ps	NC	T Horizontal Throw @			T Vertical Throw @		
				100 FPM	75 FPM	50 FPM	100 FPM	75 FPM	50 FPM
100	.17	.16	–	0.5	0.5	1.0	0.5	1.0	1.5
150	.38	.37	–	0.5	1.0	1.0	1.0	1.0	2.0
200*	.68	.66	16	0.5	1.0	1.5	1.5	2.0	3.0
250	1.06	1.02	19	1.0	1.5	2.0	2.0	2.5	3.5
295**	1.47	1.43	22	1.0	1.5	2.0	2.5	3.0	4.0

48" x 24" or 1200 mm x 600 mm Module Size • 12" (305 mm) dia. Inlet •  $\Delta T$  – 10°F (5.5°C)

Airflow CFM	Pt	Ps	NC	T Horizontal Throw @			T Vertical Throw @		
				100 FPM	75 FPM	50 FPM	100 FPM	75 FPM	50 FPM
300	.27	.26	–	0.5	0.5	1.0	0.5	1.0	1.5
400	.48	.46	–	0.5	1.0	1.5	0.5	1.0	2.0
500*	.74	.72	19	1.0	1.0	1.5	1.0	1.5	2.0
600	1.07	1.03	23	1.0	1.5	2.0	1.5	2.0	2.5
715**	1.52	1.47	28	1.5	2.0	2.5	2.0	2.5	3.0

**CFM** - cubic feet per minute

**FPM** - feet per minute velocity

**Pt** - total pressure - inches w.g.

**Ps** - static pressure - inches w.g.

**T** - throw in feet

**NC** - Noise Criteria (values) based on 10 dB room absorption, re  $10^{-12}$  watts.

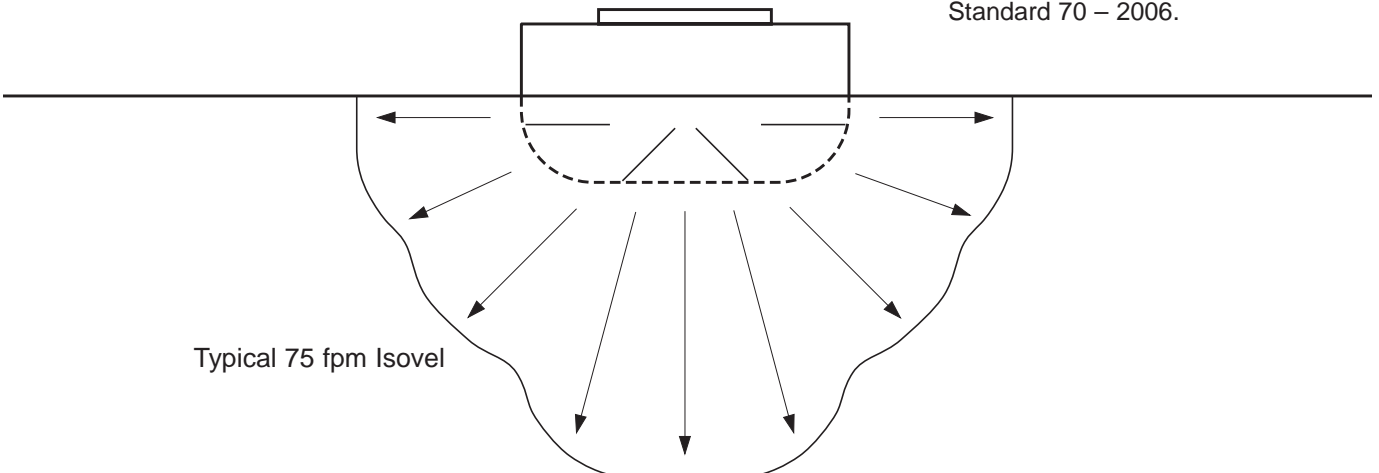
### Performance Notes:

1. The radial flow pattern of the 92RPDF-2SS is unlike conventional air distribution devices. The data presented above describes isovels by average terminal velocity in both horizontal and vertical directions.
2.  $\Delta T$  is the temperature difference between supply and room air. Testing is based on 10°F (5.5°C) cooling.
3. Performance data is for diffusers with clean filters. Filters may be operated up to a final resistance of 2" w.g. (500 Pa).

4.\*Recommended maximum airflow is based on 100 fpm (0.51 m/s) velocity per square foot of filter media face area.

\*\* Maximum airflow shown is based on 150 fpm (0.76 m/s) velocity per square foot of filter media face area. Exceeding these airflows may result in reduced filter efficiencies. Refer to the engineering section for more details.

5. Data derived from tests conducted in accordance with ANSI/ASHRAE Standard 70 – 2006.



## Performance Data

Model 92RPDF-2SS • 180° Pattern

With ULPA Filter • 99.9995% Minimum Removal Efficiency on 0.12 Micrometer Particle Size  
Metric Units

610 mm x 610 mm or 600 mm x 600 mm Module Size • 8" (203 mm) dia. Inlet •  $\Delta T$  – 10°F (5.5°C)

Airflow L/S	Pt	Ps	NC	T Horizontal Throw @			T Vertical Throw @		
				0.51 M/S	0.38 M/S	0.25 M/S	0.51 M/S	0.38 M/S	0.25 M/S
47	42	40	–	0.2	0.2	0.3	0.2	0.3	0.5
71	94	92	–	0.2	0.3	0.3	0.3	0.3	0.6
94 *	169	164	16	0.2	0.3	0.5	0.5	0.6	0.9
118	264	254	19	0.3	0.5	0.6	0.6	0.8	1.1
139**	365	355	22	0.3	0.5	0.6	0.8	0.9	1.2

1219 mm x 610 mm or 1200 mm x 600 mm Module Size • 12" (305 mm) dia. Inlet •  $\Delta T$  – 10°F (5.5°C)

Airflow L/S	Pt	Ps	NC	T Horizontal Throw @			T Vertical Throw @		
				0.51 M/S	0.38 M/S	0.25 M/S	0.51 M/S	0.38 M/S	0.25 M/S
142	67	65	–	0.2	0.2	0.3	0.2	0.3	0.5
189	119	114	–	0.2	0.3	0.5	0.2	0.3	0.6
236*	184	179	19	0.3	0.3	0.5	0.3	0.5	0.6
283	266	256	23	0.3	0.5	0.6	0.5	0.6	0.8
337**	378	365	28	0.5	0.6	0.8	0.6	0.8	0.9

L/S - litres per second

M/S - meters per second velocity

Pt - total pressure - Pa

Ps - static pressure - Pa

T - throw in meters

NC - Noise Criteria (values) based on 10 dB room absorption, re 10<sup>-12</sup> watts.

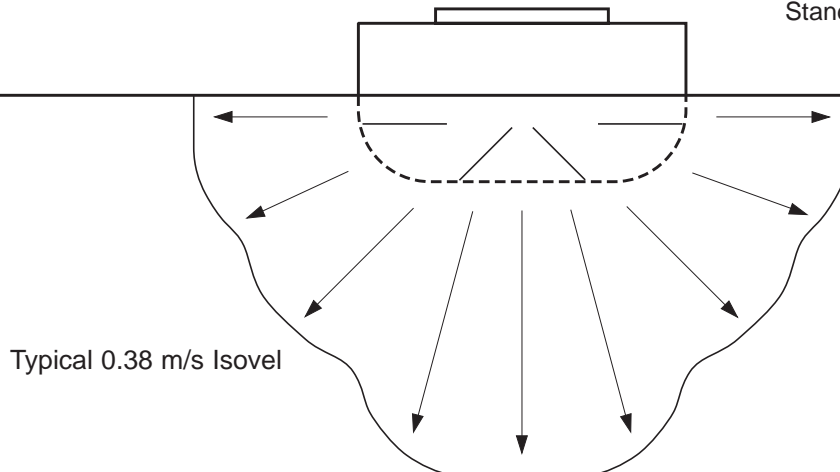
### Performance Notes:

1. The radial flow pattern of the 92RPDF-2SS is unlike conventional air distribution devices. The data presented above describes isovels by average terminal velocity in both horizontal and vertical directions.
2.  $\Delta T$  is the temperature difference between supply and room air. Testing is based on 10°F (5.5°C) cooling.
3. Performance data is for diffusers with clean filters. Filters may be operated up to a final resistance of 2" w.g. (500 Pa).

4.\*Recommended maximum airflow is based on 100 fpm (0.51 m/s) velocity per square foot of filter media face area.

\*\* Maximum airflow shown is based on 150 fpm (0.76 m/s) velocity per square foot of filter media face area. Exceeding these airflows may result in reduced filter efficiencies. Refer to the engineering section for more details.

5. Data derived from tests conducted in accordance with ANSI/ASHRAE Standard 70 – 2006.





## Performance Data

Model 92RPDF-1SS • 90° Pattern

With ULPA Filter • 99.9995% Minimum Removal Efficiency on 0.12 Micrometer Particle Size  
Imperial Units

24" x 24" or 600 mm x 600 mm Module Size • 8" (203 mm) dia. Inlet •  $\Delta T$  – 10°F (5.5°C)

Airflow L/S	Pt	Ps	NC	T Horizontal Throw @			T Vertical Throw @		
				100 FPM	75 FPM	50 FPM	100 FPM	75 FPM	50 FPM
100	.17	.17	–	0.5	1.0	1.5	1.0	1.5	2.5
150	.38	.37	–	1.0	1.5	2.0	2.0	2.5	3.5
200*	.68	.66	16	1.5	2.0	2.5	2.5	3.5	4.0
250	1.07	1.03	19	1.0	2.5	3.0	3.0	3.5	4.5
295**	1.49	1.44	22	2.0	2.5	3.5	3.5	4.0	5.0

48" x 24" or 1200 mm x 600 mm Module Size • 12" (305 mm) dia. Inlet •  $\Delta T$  – 10°F (5.5°C)

Airflow CFM	Pt	Ps	NC	T Horizontal Throw @			T Vertical Throw @		
				100 FPM	75 FPM	50 FPM	100 FPM	75 FPM	50 FPM
300	.27	.26	–	0.5	1.0	1.5	1.5	2.0	2.5
400	.48	.46	–	1.0	1.5	2.0	2.0	3.0	4.0
500*	.75	.72	19	1.0	2.0	3.0	2.5	3.5	5.0
600	1.08	1.04	23	1.5	2.5	3.5	3.0	4.0	6.0
715**	1.53	1.48	28	2.0	3.0	4.0	3.5	4.5	6.5

48" x 12" or 1200 mm x 300 mm Module Size • 8" (203 mm) dia. Inlet •  $\Delta T$  – 10°F (5.5°C)

Airflow CFM	Pt	Ps	NC	T Horizontal Throw @			T Vertical Throw @		
				100 FPM	75 FPM	50 FPM	100 FPM	75 FPM	50 FPM
100	.17	.17	–	0.5	0.5	1.0	0.5	0.5	1.0
150	.39	.38	–	0.5	1.0	1.5	0.5	1.0	1.5
200*	.69	.67	17	1.0	1.5	2.0	0.5	1.0	1.5
250	1.08	1.04	20	1.0	1.5	2.5	1.0	1.5	2.0
290**	1.45	1.40	23	1.5	2.0	3.0	1.0	1.5	2.0

**CFM** - cubic feet per minute

**FPM** - feet per minute velocity

**Pt** - total pressure - inches w.g.

**Ps** - static pressure - inches w.g.

**T** - throw in feet

**NC** - Noise Criteria (values) based on 10 dB room absorption, re 10<sup>-12</sup> watts.

2.  $\Delta T$  is the temperature difference between supply and room air. Testing is based on 10°F (5.5°C) cooling.

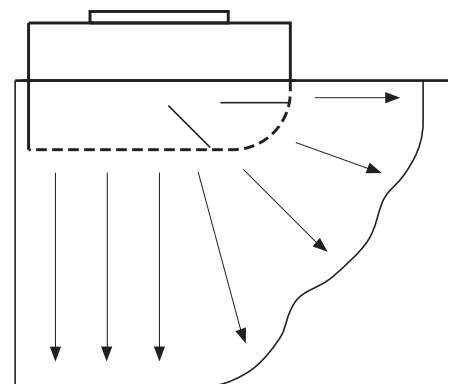
3. Performance data is for diffusers with clean filters. Filters may be operated up to a final resistance of 2" w.g. (500 Pa).

4.\* Recommended maximum airflow is based on 100 fpm (0.51 m/s) velocity per square foot of filter media face area.

\*\* Maximum airflow shown is based on 150 fpm (0.76 m/s) velocity per square foot of filter media face area. Exceeding these airflows may result in reduced filter efficiencies.

Refer to the engineering section for more details.

5. Data derived from tests conducted in accordance with ANSI/ASHRAE Standard 70 – 2006.



Typical 75 fpm Isovlel

### Performance Notes:

1. The radial flow pattern of the 92RPDF-1SS is unlike conventional air distribution devices. The data presented above describes isovels by average terminal velocity in both horizontal and vertical directions.

## Performance Data

Model 92RPDF-1SS • 90° Pattern

With ULPA Filter • 99.9995% Minimum Removal Efficiency on 0.12 Micrometer Particle Size  
Metric Units

610 mm x 610 mm or 600 mm x 600 mm Module Size • 8" (203 mm) dia. Inlet •  $\Delta T - 10^{\circ}\text{F}$  ( $5.5^{\circ}\text{C}$ )

Airflow L/S	Pt	Ps	NC	T Horizontal Throw @			T Vertical Throw @		
				0.51 M/S	0.38 M/S	0.25 M/S	0.51 M/S	0.38 M/S	0.25 M/S
47	42	42	-	0.2	0.3	0.5	0.3	0.5	0.8
71	94	92	-	0.3	0.5	0.6	0.6	0.8	1.1
94 *	169	164	16	0.5	0.6	0.8	0.8	1.1	1.2
118	266	256	19	0.6	0.8	0.9	0.9	1.1	1.4
139**	370	358	22	0.6	0.8	1.1	1.1	1.2	1.5

1219 mm x 610 mm or 1200 mm x 600 mm Module Size • 12" (305 mm) dia. Inlet •  $\Delta T - 10^{\circ}\text{F}$  ( $5.5^{\circ}\text{C}$ )

Airflow L/S	Pt	Ps	NC	T Horizontal Throw @			T Vertical Throw @		
				0.51 M/S	0.38 M/S	0.25 M/S	0.51 M/S	0.38 M/S	0.25 M/S
142	67	65	-	0.2	0.3	0.5	0.5	0.6	0.8
189	119	114	-	0.3	0.5	0.6	0.6	0.9	1.2
236*	186	179	19	0.3	0.6	0.9	0.8	1.1	1.5
283	268	259	23	0.5	0.8	1.1	0.9	1.2	1.8
337**	380	368	28	0.6	0.9	1.2	1.1	1.4	2.0

1219 mm x 305 mm or 1200 mm x 300 mm Module Size • 8" (203 mm) dia. Inlet •  $\Delta T - 10^{\circ}\text{F}$  ( $5.5^{\circ}\text{C}$ )

Airflow L/S	Pt	Ps	NC	T Horizontal Throw @			T Vertical Throw @		
				0.51 M/S	0.38 M/S	0.25 M/S	0.51 M/S	0.38 M/S	0.25 M/S
47	42	42	-	0.2	0.2	0.3	0.2	0.2	0.3
71	97	94	-	0.2	0.3	0.5	0.2	0.3	0.5
94 *	172	167	17	0.3	0.5	0.6	0.2	0.3	0.5
118	268	259	20	0.3	0.5	0.8	0.3	0.5	0.6
137**	360	348	23	0.5	0.6	0.9	0.3	0.5	0.6

L/S - litres per second

M/S - meters per second velocity

Pt - total pressure - Pa

Ps - static pressure - Pa

T - throw in meters

NC - Noise Criteria (values) based on 10 dB room absorption, re  $10^{-12}$  watts.

### Performance Notes:

1. The radial flow pattern of the 92RPDF-1SS is unlike conventional air distribution devices. The data presented above describes isovels by average terminal velocity in both horizontal and vertical directions.

2.  $\Delta T$  is the temperature difference between supply and room air. Testing is based on  $10^{\circ}\text{F}$  ( $5.5^{\circ}\text{C}$ ) cooling.

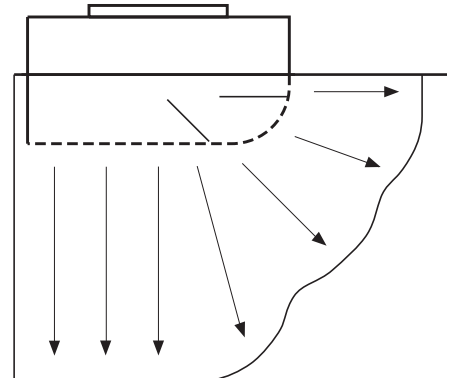
3. Performance data is for diffusers with clean filters. Filters may be operated up to a final resistance of 2" w.g. (500 Pa).

4.\* Recommended maximum airflow is based on 100 fpm (0.51 m/s) velocity per square foot of filter media face area.

\*\* Maximum airflow shown is based on 150 fpm (0.76 m/s) velocity per square foot of filter media face area. Exceeding these airflows may result in reduced filter efficiencies.

Refer to the engineering section for more details.

5. Data derived from tests conducted in accordance with ANSI/ASHRAE Standard 70 - 2006.



Typical 0.38 m/s Isovel

## FLUSH FACE RADIAL PATTERN DIFFUSERS

- FLUSH FACE DESIGN
- HIGH CAPACITY
- REMOVABLE FACE

### Aluminum Models:

**92FRP-2AL** 180° Pattern

**92FRP-1AL** 90° Pattern

### Steel Models:

**92FRP-2** 180° Pattern

**92FRP-1** 90° Pattern



Model 92FRP-2

E

HOSPITAL / CLEANROOM DIFFUSERS

The **Model Series 92FRP Flush Face Radial Pattern Diffusers** have been designed to provide low aspiration at high ventilation rates especially for cleanroom applications such as research laboratories, bio-technology facilities, animal labs, food processing, semi-conductor manufacturing, hospital rooms and computer rooms. Specially designed internal baffles and pressure plate produce an excellent radial air pattern that allows large volumes of air to be supplied at low velocities. The unobtrusive flush face design provides the smooth appearance required for architectural excellence.

The **92FRP-2AL** and **92FRP-2** models introduce air in a semi-cylindrical 180° radial flow pattern, flushing a room with large volumes of clean conditioned air, minimizing entrainment and hence mixing with contaminated air, while still allowing low room air velocities. The **92FRP-1AL** and **92FRP-1** models introduce air in a 90° radial flow pattern for perimeter applications.

### FEATURES:

- Unique, architecturally appealing flush face design.
- Face plate is removable for cleaning and is secured by 1/4 turn fasteners.
- Safety cables are included as standard and prevent accidental dropping of removable face.
- Perforated face has 3/16" (5) dia. holes on 1/4" (6) staggered centers (51% free area).
- Round inlets for simple duct connection.
- Standard unit designed for both Lay-in T-Bar ceiling systems and surface mount applications.

**Material:** Extruded aluminum frame. Aluminum or corrosion-resistant steel backpan and controllers depending on model selection.

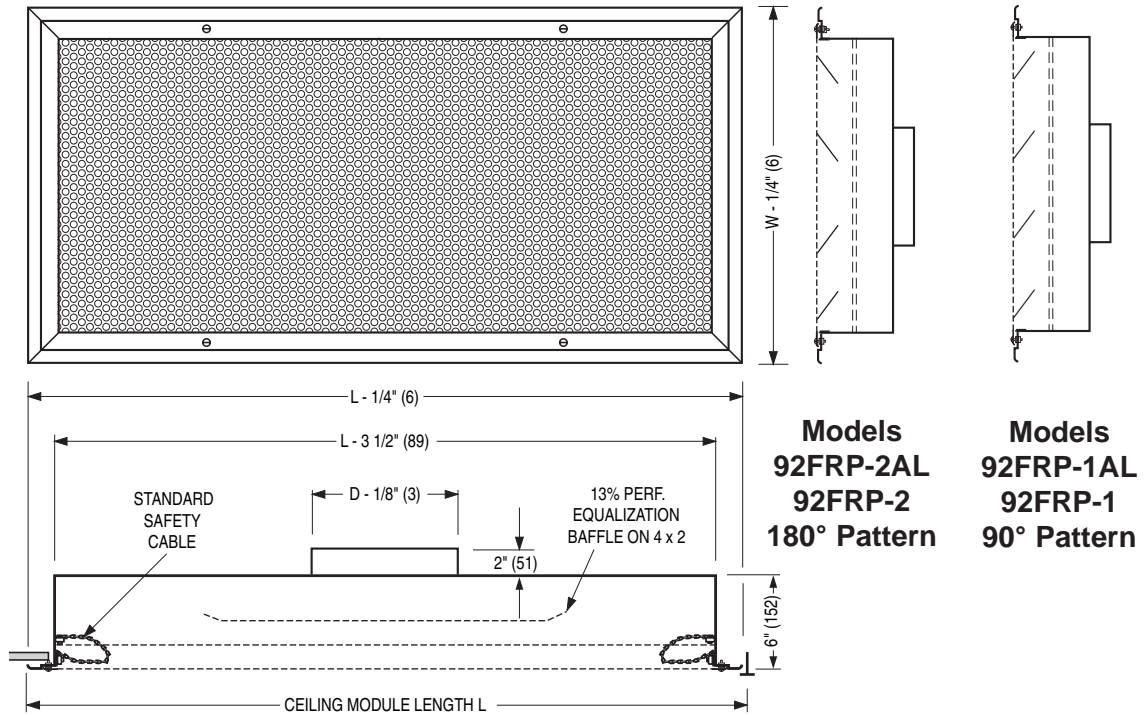
**Finish:** AW Appliance White baked enamel finish is standard. Other finishes are available.

### Options:

- SSF Stainless Steel Face available on aluminum models.
- This product is also available in stainless steel construction for more demanding applications.

## Dimensional Data

Models 92FRP-2AL, 92FRP-1AL, 92FRP-2, 92FRP-1 • Flush Face Radial Pattern Diffusers



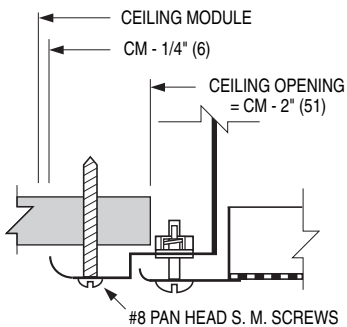
**Models**  
92FRP-2AL  
92FRP-2  
180° Pattern

**Models**  
92FRP-1AL  
92FRP-1  
90° Pattern

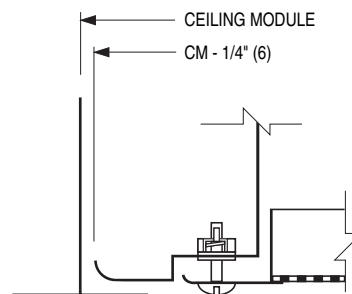
**Ceiling Module Sizes L x W & Nominal Round Duct Sizes D**

L x W	Imperial Modules (inches)		24 x 24	48 x 24
	Metric Modules (mm)		600 x 600	1200 x 600
Duct Size D	(inches)		8, 10	10, 12
	(mm)		203, 254	254, 305

**Type S Surface Mount Detail**



**Type L Lay-in T-Bar Detail**



## HOW TO SPECIFY OR TO ORDER

(Show complete Model Number and Size, unless "Default" is desired).

### Steel and Aluminum Flush Face Radial Pattern Diffusers – Model Series 92FRP

**92FRP-2AL - 10 - 48 x 24 - L - AW - —**

#### MODEL

- 180° Pattern	92FRP-2AL	Aluminum
- 90° Pattern	92FRP-1AL	Aluminum
- 180° Pattern	92FRP-2	Steel
- 90° Pattern	92FRP-1	Steel

#### ROUND INLET SIZE

(inches)	(mm)
08	(203)
10	(254)
12	(305)

#### CEILING MODULE SIZE

##### Imperial Modules

(inches)	(mm)
- 24 x 24	(610 x 610)
- 48 x 24	(1219 x 610)

##### Metric Modules (mm)

- 600 x 600
- 1200 x 600

#### Note:

1. Consult dimensional data as to limitations of model, module and neck size combinations.

#### OPTIONS

- None (default) —
- Type 304 Stainless Steel Perforated Face (Aluminum models only) SSF

#### FINISH

- Appliance White (default) AW
- Aluminum AL
- Special Custom Color SP
- Acrylic Appliance White AAW
- Acrylic Custom Color ASP

#### FRAME TYPE

- Lay-in T-Bar L
- Surface Mount S

E

HOSPITAL / CLEANROOM DIFFUSERS

#### SUGGESTED SPECIFICATION:

##### Models 92FRP-2AL, 92FRP-1AL – Aluminum Construction

Furnish and install **Nailor Model** (select one) **92FRP-2AL** (180° pattern) or **92FRP-1AL** (90° pattern) **Aluminum Flush Face Radial Pattern Ceiling Diffusers** of the sizes and capacities as shown on the plans and air distribution schedules. The diffusers shall have an extruded aluminum frame with an aluminum perforated face that has 51% free area with 3/16" (5) dia. holes on 1/4" (6) staggered centers. Aluminum integral distribution baffles and pressure plate shall be attached to the flush face to provide a low velocity, non-aspirating radial air pattern. The face shall be attached to the plenum with 1/4 turn fasteners to allow for complete removal and access to the interior for cleaning. All diffusers are to include safety cables to prevent accidental dropping of the removable face. The backpan shall be constructed from aluminum. The finish shall be AW Appliance White baked enamel (optional finishes are available).

The manufacturer shall provide published performance data for the diffuser, which shall be tested in accordance with ANSI/ASHRAE Standard 70 – 2006.

##### Models 92FRP-2, 92FRP-1 – Steel Construction

Furnish and install **Nailor Model** (select one) **92FRP-2** (180° pattern) or **92FRP-1** (90° pattern) **Steel Flush Face Radial Pattern Ceiling Diffusers** of the sizes and capacities as shown on the plans and air distribution schedules. The diffusers shall have an extruded aluminum frame with a corrosion-resistant steel perforated face that has 51% free area with 3/16" (5) dia. holes on 1/4" (6) staggered centers. Corrosion-resistant steel integral distribution baffles and pressure plate shall be attached to the flush face to provide a low velocity, non-aspirating radial air pattern. The face shall be attached to the plenum with 1/4 turn fasteners to allow for complete removal and access to the interior for cleaning. All diffusers are to include safety cables to prevent accidental dropping of the removable face. The backpan shall be constructed from corrosion-resistant steel. The finish shall be AW Appliance White baked enamel (optional finishes are available).

The manufacturer shall provide published performance data for the diffuser, which shall be tested in accordance with ANSI/ASHRAE Standard 70 – 2006.

## Performance Data

### Model Series 92FRP • Aluminum and Steel • Flush Face Radial Pattern

#### Models 92FRP-2AL and 92FRP-2 • 180° 2-Way Pattern

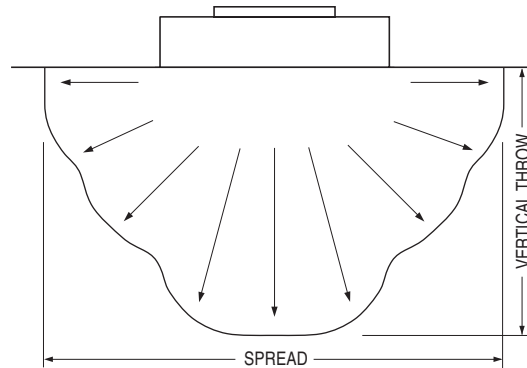
Module Size and Inlet Size	Airflow cfm	Pt "w.g.	Ps "w.g.	NC	Spread (ft)	Vertical Throw (ft)		
						5°ΔT	10°ΔT	15°ΔT
						100-75-50	100-75-50	100-75-50
24" x 24" 8" Inlet	250	.065	.033	24	1 3 5	1 2 5	1 2 5	1 3 5
	300	.086	.040	28	2 4 6	1 3 5	1 3 5	1 3 5
	400	.152	.070	36	3 4 7	2 3 5	2 4 5	3 4 7
	500	.223	.095	42	4 6 8	3 4 5	4 5 6	4 6 7
24" x 24" 10" Inlet	250	.028	.015	<20	1 2 3	0 1 2	1 1 2	1 1 2
	300	.037	.019	<20	1 2 4	1 1 2	1 2 3	1 2 3
	475	.085	.038	26	3 4 7	1 2 5	1 3 6	2 4 7
	600	.129	.054	38	4 6 8	3 4 7	3 5 8	4 6 9
24" x 48" 10" Inlet	400	.062	.028	<20	3 5 6	0 1 1	0 1 1	1 2 2
	500	.100	.048	24	5 7 9	1 2 3	1 2 4	1 2 4
	700	.193	.090	41	5 7 10	2 2 5	2 3 6	2 5 7
	900	.324	.155	49	7 9 11	2 5 7	3 6 8	3 6 8
24" x 48" 12" Inlet	500	.054	.029	<20	1 2 4	1 1 2	1 2 2	1 2 4
	650	.093	.050	26	2 4 7	1 2 4	1 2 4	2 4 6
	750	.150	.085	31	3 5 8	1 3 5	2 3 5	2 4 6
	1000	.226	.125	46	4 8 11	2 3 6	3 6 8	4 6 8

#### Models 92FRP-1AL and 92FRP-1 • 90° 1-Way Pattern

Module Size and Inlet Size	Airflow cfm	Pt "w.g.	Ps "w.g.	NC	Spread (ft)	Vertical Throw (ft)		
						5°ΔT	10°ΔT	15°ΔT
						100-75-50	100-75-50	100-75-50
24" x 24" 8" Inlet	250	.064	.032	<20	1 1 3	0 0 1	0 1 2	1 1 3
	300	.084	.380	28	1 2 4	0 1 1	1 2 3	1 3 5
	400	.150	.068	35	2 3 4	1 1 2	2 3 5	2 5 9
	500	.218	.090	40	3 3 4	1 1 3	2 4 9	4 6 9
24" x 24" 10" Inlet	250	.028	.015	<20	1 2 3	1 1 2	1 2 3	2 3 6
	300	.044	.018	22	1 2 4	1 2 5	2 4 7	3 6 9
	475	.084	.037	27	3 3 5	2 4 5	3 6 7	6 7 9
	600	.127	.052	38	3 4 5	2 5 7	4 6 8	7 8 9
24" x 48" 10" Inlet	400	.058	.024	<20	1 2 3	1 3 4	1 3 4	3 5 8
	500	.095	.043	24	2 3 4	2 4 5	2 4 6	4 7 9
	700	.178	.075	40	2 3 4	2 4 5	3 5 7	6 8 9
	900	.314	.145	48	3 5 7	3 5 7	4 6 8	8 8 9
24" x 48" 12" Inlet	500	.050	.025	<20	1 1 3	2 5 7	3 5 7	4 6 7
	650	.088	.045	26	2 3 5	3 6 8	4 6 8	5 7 9
	750	.145	.080	32	3 4 5	4 6 9	5 7 9	6 7 9
	1000	.221	.120	44	2 5 7	7 9 9	8 9 9	8 9 9

#### Performance Notes:

1. Throw and Spread values are given for terminal velocities of 100, 75 and 50 fpm.
2. Spread is the maximum width of the isovel at the indicated terminal velocity.
3. Vertical throw is the furthest distance below the ceiling where the indicated terminal velocity can be measured.
4. ΔT is the cooling temperature differential between supply and room air.
5. NC (Noise Criteria) values based on 10dB room absorption, re 10<sup>-12</sup> watts.
6. Data derived from tests were conducted in accordance with ANSI /ASHRAE Standard 70-2006.



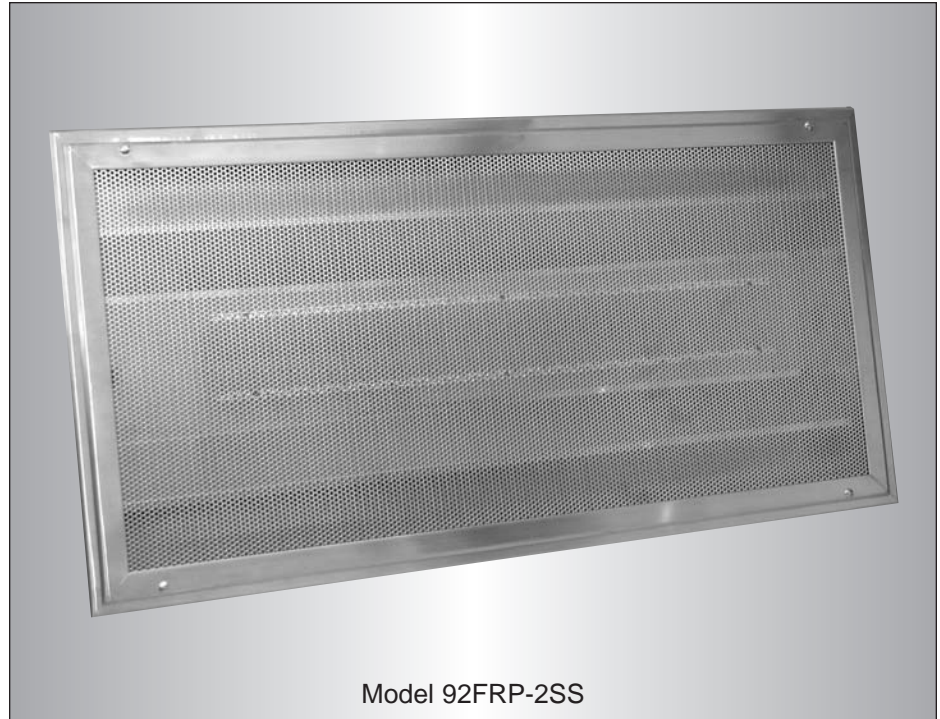
Typical 75 fpm Isovlel for 180° Pattern

## FLUSH FACE RADIAL PATTERN DIFFUSERS

- FLUSH FACE DESIGN
- HIGH CAPACITY
- REMOVABLE FACE
- STAINLESS STEEL

### Models:

- 92FRP-2SS**    180° Pattern
- 92FRP-1SS**    90° Pattern



Model 92FRP-2SS

The **Model 92FRP-SS Flush Face Radial Pattern Diffusers** have been designed to provide low aspiration at high ventilation rates especially for cleanroom applications such as research laboratories, bio-technology facilities, animal labs, food processing, semi-conductor manufacturing, hospital rooms and computer rooms. Specially designed internal baffles and pressure plate produce an excellent radial air pattern that allows large volumes of air to be supplied at low velocities. The unobtrusive flush face design provides the smooth appearance required for architectural excellence.

The **92FRP-2SS** model introduces air in a semi-cylindrical 180° radial flow pattern, flushing a room with large volumes of clean conditioned air, minimizing entrainment and hence mixing with contaminated air, while still allowing low room air velocities. The **92FRP-1SS** model introduces air in a 90° radial flow pattern for perimeter applications.

### FEATURES:

- Unique, architecturally appealing flush face design.
- Face plate is removable for cleaning and is secured by 1/4 turn fasteners.
- Safety cables are included as standard and prevent accidental dropping of removable face.
- Perforated face has 3/16" (5) dia. holes on 1/4" (6) staggered centers (51% free area).
- Round inlets for simple duct connection.
- Standard unit designed for both Lay-in T-Bar ceiling systems and surface mount applications.
- Integral earthquake hanger tabs are standard.

**Material:** Type 304 Stainless Steel construction.

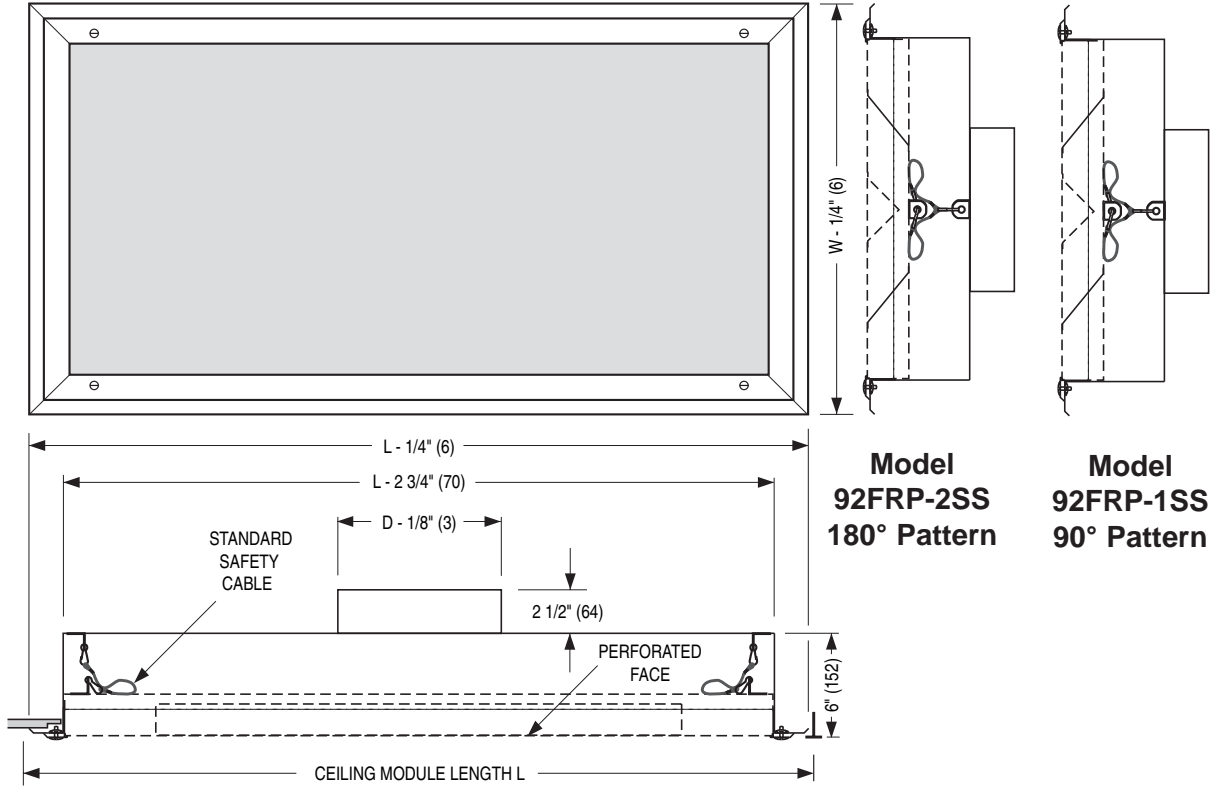
**Finish:** #3 Satin Polished finish is standard. Other finishes are available.

### Options:

- 316 Stainless Steel construction.
- AW Appliance White finish.
- This product is also available in steel and aluminum construction for less demanding applications.

## Dimensional Data

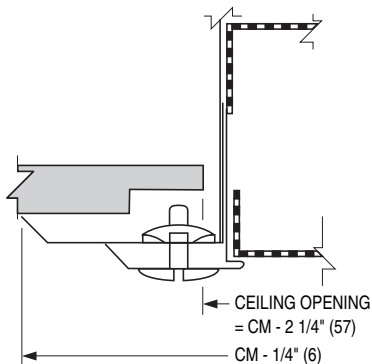
Model Series 92FRP-2SS and 92FRP-1SS • Flush Face • Radial Pattern Diffusers



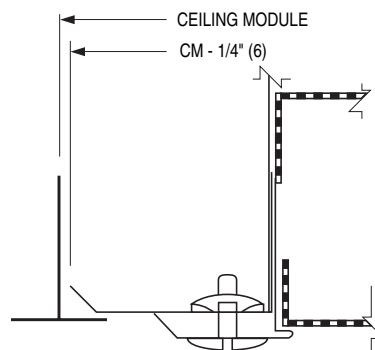
**Ceiling Module Sizes L x W & Nominal Round Duct Sizes D**

L x W	Imperial Modules (inches)		24 x 24	36 x 24	48 x 24	60 x 24
	Metric Modules (mm)		600 x 600	900 x 600	1200 x 600	1500 x 600
Duct Size D	(inches)		6, 7, 8, 10	6, 7, 8, 10	7, 8, 10, 12	10, 12
	(mm)		152, 178, 203, 254	152, 178, 203, 254	178, 203, 254, 305	254, 305

**Type S Surface Mount Detail**



**Type L Lay-in T-Bar Detail**





## HOW TO SPECIFY OR TO ORDER

(Show complete Model Number and Size, unless "Default" is desired).

### Stainless Steel Flush Face Radial Pattern Diffusers – Model Series 92FRP

**92FRP-2SS - 08 - 24 x 24 - L - #3 - —**

**MODEL**

- 180° Pattern 92FRP-2SS
- 90° Pattern 92FRP-1SS

**ROUND INLET SIZE**

(inches)	(mm)
06	(152)
07	(178)
08	(203)
10	(254)
12	(305)

**CEILING MODULE SIZE**

**Imperial Modules**

(inches)	(mm)
- 24 x 24	(610 x 610)
- 36 x 24	(914 x 610)
- 48 x 24	(1219 x 610)
- 60 x 24	(1524 x 610)

**Metric Modules (mm)**

- 600 x 600
- 900 x 600
- 1200 x 600
- 1500 x 600

**OPTIONS**

- None (default) —
- 316 Stainless Steel construction 316

**FINISH**

- #3 Satin Polished (default) #3
- Appliance White AW
- Special Custom Color SP

**FRAME TYPE**

- Lay-in T-Bar L
- Surface Mount S

**HOSPITAL / CLEANROOM DIFFUSERS**

**Note:**

1. Consult dimensional data as to limitations of model, module and neck size combinations.

**SUGGESTED SPECIFICATION:**

Furnish and install **Nailor Model 92FRP-SS Flush Face Radial Pattern Ceiling Diffusers** of the sizes and types shown on the plans and air distribution schedules. The diffusers shall be constructed entirely from 304 stainless steel (316 optional), minimum 24 gauge. The perforated face of the diffuser shall have 51% free area with 3/16" (5) dia. holes on 1/4" (6) staggered centers. Integral distribution baffles and pressure plate shall be attached to the face to provide a low velocity, non-aspirating radial air pattern. The face shall be attached with 1/4 turn fasteners to allow for complete removal and access to the interior for cleaning. All diffusers are to include safety cables to prevent accidental dropping of the removable face. Integral earthquake hanger tabs shall be included with all units. All exposed surfaces shall have a #3 satin polished finish.

The manufacturer shall provide published performance data for the diffuser, which shall be tested in accordance with ANSI/ASHRAE Standard 70 – 2006.

## Performance Data

Model 92FRP-2SS • 180° Pattern

Imperial Units

24" x 24" or 600 mm x 600 mm Module Size • 8" (203 mm) dia. Inlet

Airflow CFM	Pt	Ps	NC	T Spread			T Vertical Throw @ 5°F ΔT			T Vertical Throw @ 10°F ΔT			T Vertical Throw @ 15°F ΔT		
				100 FPM	75 FPM	50 FPM	100 FPM	75 FPM	50 FPM	100 FPM	75 FPM	50 FPM	100 FPM	75 FPM	50 FPM
200	.058	.037	20	1	2	4	1	1	1	1	1	2	1	1	2
300	.131	.082	29	2	3	6	1	2	2	1	2	3	1	2	3
400	.233	.146	36	3	5	7	1	3	4	2	3	4	2	4	5
500	.365	.228	43	4	6	8	2	3	6	2	4	6	3	5	7
600	.525	.329	50	4	7	9	3	4	7	3	5	8	3	7	9

24" x 24" or 600 mm x 600 mm Module Size • 10" (254 mm) dia. Inlet

Airflow CFM	Pt	Ps	NC	T Spread			T Vertical Throw @ 5°F ΔT			T Vertical Throw @ 10°F ΔT			T Vertical Throw @ 15°F ΔT		
				100 FPM	75 FPM	50 FPM	100 FPM	75 FPM	50 FPM	100 FPM	75 FPM	50 FPM	100 FPM	75 FPM	50 FPM
200	.026	.017	20	1	1	2	1	1	1	1	1	2	1	1	2
300	.058	.039	20	1	2	4	1	2	2	1	2	3	1	2	4
400	.104	.068	24	2	3	6	1	3	5	2	3	5	2	4	6
500	.162	.107	29	3	5	8	2	4	6	2	4	7	3	5	8
600	.233	.154	38	4	6	9	3	5	8	3	6	9	4	7	10

48" x 24" or 1200 mm x 600 mm Module Size • 10" (254 mm) dia. Inlet

Airflow CFM	Pt	Ps	NC	T Spread			T Vertical Throw @ 5°F ΔT			T Vertical Throw @ 10°F ΔT			T Vertical Throw @ 15°F ΔT		
				100 FPM	75 FPM	50 FPM	100 FPM	75 FPM	50 FPM	100 FPM	75 FPM	50 FPM	100 FPM	75 FPM	50 FPM
400	.099	.064	20	3	4	7	1	1	2	1	2	2	1	2	3
500	.155	.100	24	4	5	8	1	2	3	1	2	3	1	3	4
600	.223	.144	30	5	6	9	1	2	4	1	2	5	2	4	6
700	.304	.196	38	5	7	9	2	2	5	2	3	6	2	4	6
800	.397	.256	45	6	8	10	2	3	5	2	4	7	3	5	7
900	.502	.324	51	6	9	11	2	4	6	3	5	8	4	6	8

48" x 24" or 1200 mm x 600 mm Module Size • 12" (305 mm) dia. Inlet

Airflow CFM	Pt	Ps	NC	T Spread			T Vertical Throw @ 5°F ΔT			T Vertical Throw @ 10°F ΔT			T Vertical Throw @ 15°F ΔT		
				100 FPM	75 FPM	50 FPM	100 FPM	75 FPM	50 FPM	100 FPM	75 FPM	50 FPM	100 FPM	75 FPM	50 FPM
500	.083	.057	20	2	3	4	1	2	3	1	2	4	2	3	5
600	.119	.082	24	2	3	6	1	2	4	1	2	5	2	3	6
700	.163	.111	29	3	4	8	1	2	5	2	3	6	2	4	7
800	.212	.145	34	3	5	9	2	3	5	2	4	7	3	5	8
900	.269	.183	40	4	6	10	2	4	6	3	5	8	4	6	9
1000	.332	.226	46	4	8	11	3	5	7	4	6	9	4	7	10

**CFM** - cubic feet per minute

**FPM** - feet per minute velocity

**Pt** - total pressure - inches w.g.

**Ps** - static pressure - inches w.g.

**T** - throw or spread in feet

**NC** - Noise Criteria (values) based on 10 dB room absorption, re 10<sup>-12</sup> watts.

**Performance Notes:**

1. The radial flow pattern of the 92FRP-2SS is unlike conventional air distribution devices. The data presented above describes isovels by average terminal velocity in both horizontal and vertical directions.

2. ΔT is the temperature difference between supply and room air.

3. Data derived from tests conducted in accordance with ANSI/ASHRAE Standard 70 – 2006.

## Performance Data

Model 92FRP-2SS • 180° Pattern

Metric Units

610 mm x 610 mm or 600 mm x 600 mm Module Size • 8" (203 mm) dia. Inlet

Airflow L/S	Pt	Ps	NC	T Spread			T Vertical Throw @ 3°C ΔT			T Vertical Throw @ 5.5°C ΔT			T Vertical Throw @ 8.5°C ΔT		
				0.51 M/S	0.38 M/S	0.25 M/S	0.51 M/S	0.38 M/S	0.25 M/S	0.51 M/S	0.38 M/S	0.25 M/S	0.51 M/S	0.38 M/S	0.25 M/S
94	14	9	20	0.3	0.6	1.2	0.3	0.3	0.3	0.3	0.3	0.6	0.3	0.3	0.6
142	33	20	29	0.6	0.9	1.8	0.3	0.6	0.6	0.3	0.6	0.9	0.3	0.6	0.9
189	58	36	36	0.9	1.5	2.1	0.3	0.9	1.2	0.6	0.9	1.2	0.6	1.2	1.5
236	91	57	43	1.2	1.8	2.4	0.6	0.9	1.8	0.6	1.2	1.8	0.9	1.5	2.1
283	131	82	50	1.2	2.1	2.7	0.9	1.2	2.1	0.9	1.5	2.4	0.9	2.1	2.7

610 mm x 610 mm or 600 mm x 600 mm Module Size • 10" (254 mm) dia. Inlet

Airflow L/S	Pt	Ps	NC	T Spread			T Vertical Throw @ 3°C ΔT			T Vertical Throw @ 5.5°C ΔT			T Vertical Throw @ 8.5°C ΔT		
				0.51 M/S	0.38 M/S	0.25 M/S	0.51 M/S	0.38 M/S	0.25 M/S	0.51 M/S	0.38 M/S	0.25 M/S	0.51 M/S	0.38 M/S	0.25 M/S
94	6	4	<20	0.3	0.3	0.6	0.3	0.3	0.3	0.3	0.3	0.6	0.3	0.3	0.6
142	14	10	20	0.3	0.6	1.2	0.3	0.6	0.6	0.3	0.6	0.9	0.3	0.6	1.2
189	26	17	24	0.6	0.9	1.8	0.3	0.9	1.5	0.6	0.9	1.5	0.6	1.2	1.8
236	40	27	29	0.9	1.5	2.4	0.6	1.2	1.8	0.6	1.2	2.1	0.9	1.5	2.4
283	58	38	38	1.2	1.8	2.7	0.9	1.5	2.4	0.9	1.8	2.7	1.2	2.1	3.0

1219 mm x 610 mm or 1200 mm x 600 mm Module Size • 10" (254 mm) dia. Inlet

Airflow L/S	Pt	Ps	NC	T Spread			T Vertical Throw @ 3°C ΔT			T Vertical Throw @ 5.5°C ΔT			T Vertical Throw @ 8.5°C ΔT		
				0.51 M/S	0.38 M/S	0.25 M/S	0.51 M/S	0.38 M/S	0.25 M/S	0.51 M/S	0.38 M/S	0.25 M/S	0.51 M/S	0.38 M/S	0.25 M/S
189	25	16	20	0.9	1.2	2.1	0.3	0.3	0.6	0.3	0.6	0.6	0.3	0.6	0.9
236	39	25	24	1.2	1.5	2.4	0.3	0.6	0.9	0.3	0.6	0.9	0.3	0.9	1.2
283	55	36	30	1.5	1.8	2.7	0.3	0.6	1.2	0.3	0.6	1.5	0.6	1.2	1.8
330	76	49	38	1.5	2.1	2.7	0.6	0.6	1.5	0.6	0.9	1.8	0.6	1.2	1.8
378	99	64	45	1.8	2.4	3.0	0.6	0.9	1.5	0.6	1.2	2.1	0.9	1.5	2.1
425	125	81	51	1.8	2.7	3.4	0.6	1.2	1.8	0.9	1.5	2.4	1.2	1.8	2.4

1219 mm x 610 mm or 1200 mm x 600 mm Module Size • 12" (305 mm) dia. Inlet

Airflow L/S	Pt	Ps	NC	T Spread			T Vertical Throw @ 3°C ΔT			T Vertical Throw @ 5.5°C ΔT			T Vertical Throw @ 8.5°C ΔT		
				0.51 M/S	0.38 M/S	0.25 M/S	0.51 M/S	0.38 M/S	0.25 M/S	0.51 M/S	0.38 M/S	0.25 M/S	0.51 M/S	0.38 M/S	0.25 M/S
236	21	14	20	0.6	0.9	1.2	0.3	0.6	0.9	0.3	0.6	1.2	0.6	0.9	1.5
283	30	20	24	0.6	0.9	1.8	0.3	0.6	1.2	0.3	0.6	1.5	0.6	0.9	1.8
330	41	28	29	0.9	1.2	2.4	0.3	0.6	1.5	0.6	0.9	1.8	0.6	1.2	2.1
378	53	36	34	0.9	1.5	2.7	0.6	0.9	1.5	0.6	1.2	2.1	0.9	1.5	2.4
425	67	45	40	1.2	1.8	3.0	0.6	1.2	1.8	0.9	1.5	2.4	1.2	1.8	2.7
472	83	56	46	1.2	2.4	3.4	0.9	1.5	2.1	1.2	1.8	2.7	1.2	2.1	3.0

L/S - litres per second

M/S - meters per second velocity

Pt - total pressure - Pa

Ps - static pressure - Pa

T - throw or spread in meters

NC - Noise Criteria (values) based on 10 dB room absorption, re 10<sup>-12</sup> watts.

### Performance Notes:

1. The radial flow pattern of the 92FRP-2SS is unlike conventional air distribution devices. The data presented above describes isovels by average terminal velocity in both horizontal and vertical directions.

2. ΔT is the temperature difference between supply and room air.

3. Data derived from tests conducted in accordance with ANSI/ASHRAE Standard 70 – 2006.

## Performance Data

Model 92FRP-1SS • 90° Pattern  
Imperial Units

24" x 24" or 600 mm x 600 mm Module Size • 8" (203 mm) dia. Inlet

Airflow CFM	Pt	Ps	NC	T Spread			T Vertical Throw @ 5°F ΔT			T Vertical Throw @ 10°F ΔT			T Vertical Throw @ 15°F ΔT		
				100 FPM	75 FPM	50 FPM	100 FPM	75 FPM	50 FPM	100 FPM	75 FPM	50 FPM	100 FPM	75 FPM	50 FPM
200	.054	.032	20	1	2	3	1	1	2	1	2	2	1	2	3
300	.121	.072	26	1	3	4	1	2	3	1	2	3	2	3	4
400	.215	.128	35	2	3	4	2	3	5	2	3	5	3	4	7
500	.336	.200	41	3	4	5	2	4	6	2	4	7	4	5	8
600	.484	.288	45	4	5	6	3	4	7	4	7	9	5	8	10

24" x 24" or 600 mm x 600 mm Module Size • 10" (254 mm) dia. Inlet

Airflow CFM	Pt	Ps	NC	T Spread			T Vertical Throw @ 5°F ΔT			T Vertical Throw @ 10°F ΔT			T Vertical Throw @ 15°F ΔT		
				100 FPM	75 FPM	50 FPM	100 FPM	75 FPM	50 FPM	100 FPM	75 FPM	50 FPM	100 FPM	75 FPM	50 FPM
200	.025	.016	20	1	2	4	1	1	2	1	2	2	1	2	3
300	.056	.036	20	2	3	5	1	2	3	1	2	4	2	3	4
400	.099	.064	28	3	4	6	2	3	5	2	3	6	4	5	7
500	.155	.100	33	4	5	7	2	4	7	3	5	8	5	6	9
600	.223	.144	36	4	6	8	4	6	8	4	7	10	6	9	10

48" x 24" or 1200 mm x 600 mm Module Size • 10" (254 mm) dia. Inlet

Airflow CFM	Pt	Ps	NC	T Spread			T Vertical Throw @ 5°F ΔT			T Vertical Throw @ 10°F ΔT			T Vertical Throw @ 15°F ΔT		
				100 FPM	75 FPM	50 FPM	100 FPM	75 FPM	50 FPM	100 FPM	75 FPM	50 FPM	100 FPM	75 FPM	50 FPM
400	.096	.061	24	1	2	3	2	4	6	3	4	6	4	5	7
500	.150	.095	28	1	2	3	3	4	6	3	5	7	4	6	8
600	.216	.136	33	2	2	4	3	5	7	5	6	7	5	6	8
700	.294	.186	37	2	3	4	4	5	7	5	6	8	6	7	9
800	.383	.242	41	3	4	5	4	6	8	6	7	8	6	8	9
900	.485	.307	46	3	4	6	5	6	8	6	7	9	7	8	10

48" x 24" or 1200 mm x 600 mm Module Size • 12" (305 mm) dia. Inlet

Airflow CFM	Pt	Ps	NC	T Spread			T Vertical Throw @ 5°F ΔT			T Vertical Throw @ 10°F ΔT			T Vertical Throw @ 15°F ΔT		
				100 FPM	75 FPM	50 FPM	100 FPM	75 FPM	50 FPM	100 FPM	75 FPM	50 FPM	100 FPM	75 FPM	50 FPM
500	.079	.053	20	1	2	3	3	4	7	4	5	7	4	6	8
600	.114	.076	23	2	3	4	4	5	7	5	6	8	5	7	9
700	.155	.103	27	3	3	5	4	6	8	6	7	9	6	8	9
800	.202	.135	31	3	4	5	5	7	8	6	8	9	7	9	10
900	.256	.171	37	3	4	6	6	7	9	7	9	10	8	9	10
1000	.316	.211	44	4	5	7	7	8	9	8	9	10	8	10	10

CFM - cubic feet per minute

FPM - feet per minute velocity

Pt - total pressure - inches w.g.

Ps - static pressure - inches w.g.

T - throw or spread in feet

NC - Noise Criteria (values) based on 10 dB room absorption, re 10<sup>-12</sup> watts.

### Performance Notes:

1. The radial flow pattern of the 92FRP-1SS is unlike conventional air distribution devices. The data presented above describes isovels by average terminal velocity in both horizontal and vertical directions.

2. ΔT is the temperature difference between supply and room air.

3. Data derived from tests conducted in accordance with ANSI/ASHRAE Standard 70 – 2006.

## Performance Data

Model 92FRP-1SS • 90° Pattern

Metric Units

610 mm x 610 mm or 600 mm x 600 mm Module Size • 8" (203 mm) dia. Inlet

Airflow L/S	Pt	Ps	NC	T Spread			T Vertical Throw @ 3°C ΔT			T Vertical Throw @ 5.5°C ΔT			T Vertical Throw @ 8.5°C ΔT		
				0.51 M/S	0.38 M/S	0.25 M/S	0.51 M/S	0.38 M/S	0.25 M/S	0.51 M/S	0.38 M/S	0.25 M/S	0.51 M/S	0.38 M/S	0.25 M/S
94	13	8	<20	0.3	0.6	0.9	0.3	0.3	0.6	0.3	0.6	0.6	0.3	0.6	0.9
142	30	18	26	0.3	0.9	1.2	0.3	0.6	0.9	0.3	0.6	0.9	0.6	0.9	1.2
189	53	32	35	0.6	0.9	1.2	0.6	0.9	1.5	0.6	0.9	1.5	0.9	1.2	2.1
236	84	50	41	0.9	1.2	1.5	0.6	1.2	1.8	0.6	1.2	2.1	1.2	1.5	2.4
283	120	72	45	1.2	1.5	1.8	0.9	1.2	2.1	1.2	2.1	2.7	1.5	2.4	3.0

610 mm x 610 mm or 600 mm x 600 mm Module Size • 10" (254 mm) dia. Inlet

Airflow L/S	Pt	Ps	NC	T Spread			T Vertical Throw @ 3°C ΔT			T Vertical Throw @ 5.5°C ΔT			T Vertical Throw @ 8.5°C ΔT		
				0.51 M/S	0.38 M/S	0.25 M/S	0.51 M/S	0.38 M/S	0.25 M/S	0.51 M/S	0.38 M/S	0.25 M/S	0.51 M/S	0.38 M/S	0.25 M/S
94	6	4	<20	0.3	0.6	1.2	0.3	0.3	0.6	0.3	0.6	0.6	0.3	0.6	0.9
142	14	9	20	0.6	0.9	1.5	0.3	0.6	0.9	0.3	0.6	1.2	0.6	0.9	1.2
189	25	16	28	0.9	1.2	1.8	0.6	0.9	1.5	0.6	0.9	1.8	1.2	1.5	2.1
236	39	25	33	1.2	1.5	2.1	0.6	1.2	2.1	0.9	1.5	2.4	1.5	1.8	2.7
283	55	36	36	1.2	1.8	2.4	1.2	1.8	2.4	1.2	2.1	3.0	1.8	2.7	3.0

1219 mm x 610 mm or 1200 mm x 600 mm Module Size • 10" (254 mm) dia. Inlet

Airflow L/S	Pt	Ps	NC	T Spread			T Vertical Throw @ 3°C ΔT			T Vertical Throw @ 5.5°C ΔT			T Vertical Throw @ 8.5°C ΔT		
				0.51 M/S	0.38 M/S	0.25 M/S	0.51 M/S	0.38 M/S	0.25 M/S	0.51 M/S	0.38 M/S	0.25 M/S	0.51 M/S	0.38 M/S	0.25 M/S
189	24	15	24	0.3	0.6	0.9	0.6	1.2	1.8	0.9	1.2	1.8	1.2	1.5	2.1
236	37	24	28	0.3	0.6	0.9	0.9	1.2	1.8	0.9	1.5	2.1	1.2	1.8	2.4
283	54	34	33	0.6	0.6	1.2	0.9	1.5	2.1	1.5	1.8	2.1	1.5	1.8	2.4
330	73	46	37	0.6	0.9	1.2	1.2	1.5	2.1	1.5	1.8	2.4	1.8	2.1	2.7
378	95	60	41	0.9	1.2	1.5	1.2	1.8	2.4	1.8	2.1	2.4	1.8	2.4	2.7
425	121	76	46	0.9	1.2	1.8	1.5	1.8	2.4	1.8	2.1	2.7	2.1	2.4	3.0

1219 mm x 610 mm or 1200 mm x 600 mm Module Size • 12" (305 mm) dia. Inlet

Airflow L/S	Pt	Ps	NC	T Spread			T Vertical Throw @ 3°C ΔT			T Vertical Throw @ 5.5°C ΔT			T Vertical Throw @ 8.5°C ΔT		
				0.51 M/S	0.38 M/S	0.25 M/S	0.51 M/S	0.38 M/S	0.25 M/S	0.51 M/S	0.38 M/S	0.25 M/S	0.51 M/S	0.38 M/S	0.25 M/S
236	20	13	20	0.3	0.6	0.9	0.9	1.2	2.1	1.2	1.5	2.1	1.2	1.8	2.4
283	28	19	23	0.6	0.9	1.2	1.2	1.5	2.1	1.5	1.8	2.4	1.5	2.1	2.7
330	39	26	27	0.9	0.9	1.5	1.2	1.8	2.4	1.8	2.1	2.7	1.8	2.4	2.7
378	50	34	31	0.9	1.2	1.5	1.5	2.1	2.4	1.8	2.4	2.7	2.1	2.7	3.0
425	64	43	37	0.9	1.2	1.8	1.8	2.1	2.7	2.1	2.7	3.0	2.4	2.7	3.0
472	79	52	44	1.2	1.5	2.1	2.1	2.4	2.7	2.4	2.7	3.0	2.4	3.0	3.0

**L/S** - litres per second  
**M/S** - meters per second velocity  
**Pt** - total pressure - Pa  
**Ps** - static pressure - Pa  
**T** - throw or spread in meters  
**NC** - Noise Criteria (values) based on 10 dB room absorption, re 10<sup>-12</sup> watts.

### Performance Notes:

1. The radial flow pattern of the 92FRP-1SS is unlike conventional air distribution devices. The data presented above describes isovels by average terminal velocity in both horizontal and vertical directions.

2. ΔT is the temperature difference between supply and room air.  
 3. Data derived from tests conducted in accordance with ANSI/ASHRAE Standard 70 – 2006.

HOSPITAL / CLEANROOM DIFFUSERS

## ADJUSTABLE RADIAL PATTERN DIFFUSERS

- ADJUSTABLE CURVED BLADES
- TWO CENTER PANEL STYLES
- REMOVABLE FACE

### Perforated Center Panel:

92CBPRP-AL Aluminum

92CBPRP Steel

### Straight Blade Center Panel:

92CBSRP-AL Aluminum

92CBSRP Steel



Models 92CBPRP and 92CBSRP

The **Model Series 92CBRP Adjustable Radial Pattern Diffusers** have been designed to provide an adjustable radial air pattern for delivering high volumes of low velocity air.

Two sets of individually adjustable curved blade pattern controllers provide field control flexibility and can be set to produce custom, effective directional control with minimum resistance and noise generation. The diffusers are available with either a perforated center panel that ensures a fixed, controlled blow air pattern directly under the diffuser or with an adjustable straight blade center panel that allows fine adjustment of the air pattern. Internal air baffles equalize the airflow across the face of the diffuser.

The hemispherical 180° air pattern provides higher volumes with much shorter throws than conventional diffusers. The diffuser is suitable for pharmaceutical manufacturing, bio-technology research facilities, laboratories, food processing, and other cleanroom applications.

### FEATURES:

- Architecturally appealing face design.
- Extruded aluminum frame and blades.
- Face panel is removable for cleaning and is secured by 1/4 turn fasteners.
- Safety cables are included as standard and prevent accidental dropping of removable face.
- 180° hemispherical air pattern.
- Round inlets for simple duct connection
- The center panel on Model Series 92CBPRP has a perforated face with 3/16" (5) dia. holes on 1/4" (6) staggered centers (51% free area).
- The center panel on Model Series 92CBSRP has an adjustable straight blade pack.
- Standard unit designed for both Lay-in T-Bar ceiling systems and surface mount applications.

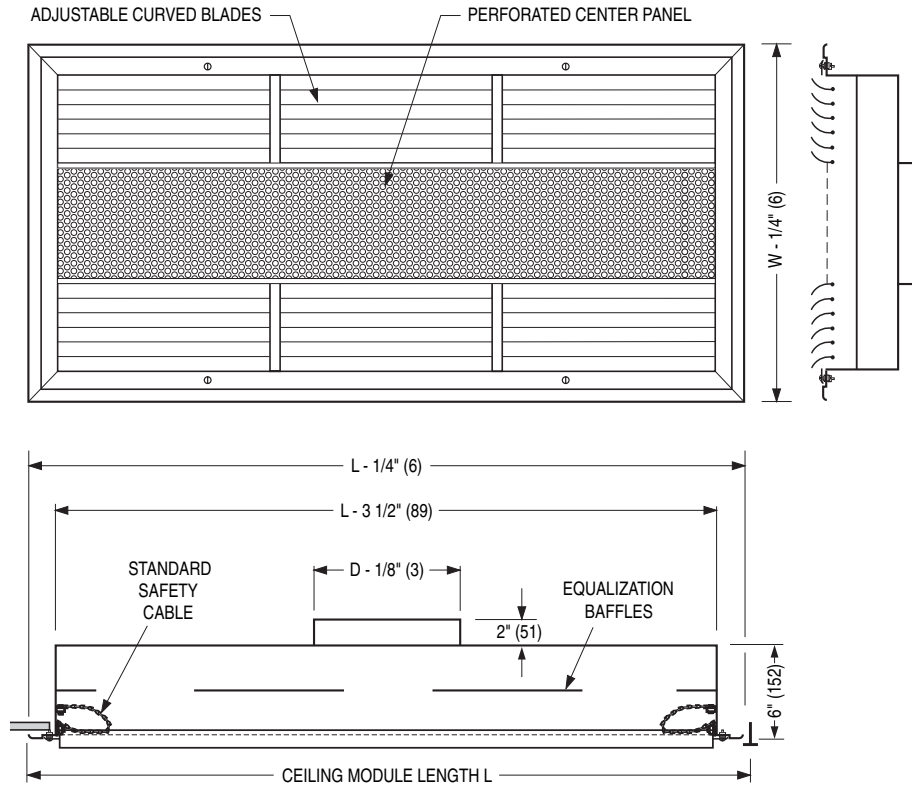
**Material:** Extruded aluminum frame and blades. Aluminum or corrosion-resistant steel backpan and equalization baffles depending on model selection.

**Finish:** AW Appliance White baked enamel finish is standard. Other finishes are available.



## Dimensional Data

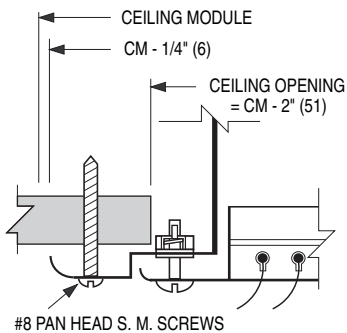
Model Series 92CBPRP • Adjustable Radial Pattern Diffusers • Perforated Center Panel



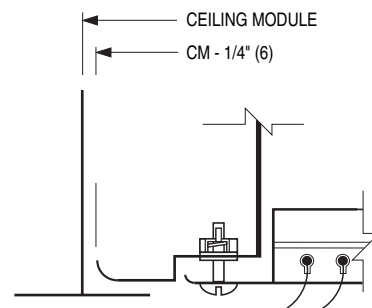
**Ceiling Module Sizes L x W & Nominal Round Duct Sizes D**

L x W	Imperial Modules (inches)		24 x 24	48 x 24
	Metric Modules (mm)		600 x 600	1200 x 600
Duct Size D	(inches)		8, 10	10, 12
	(mm)		203, 254	254, 305

### Type S Surface Mount Detail

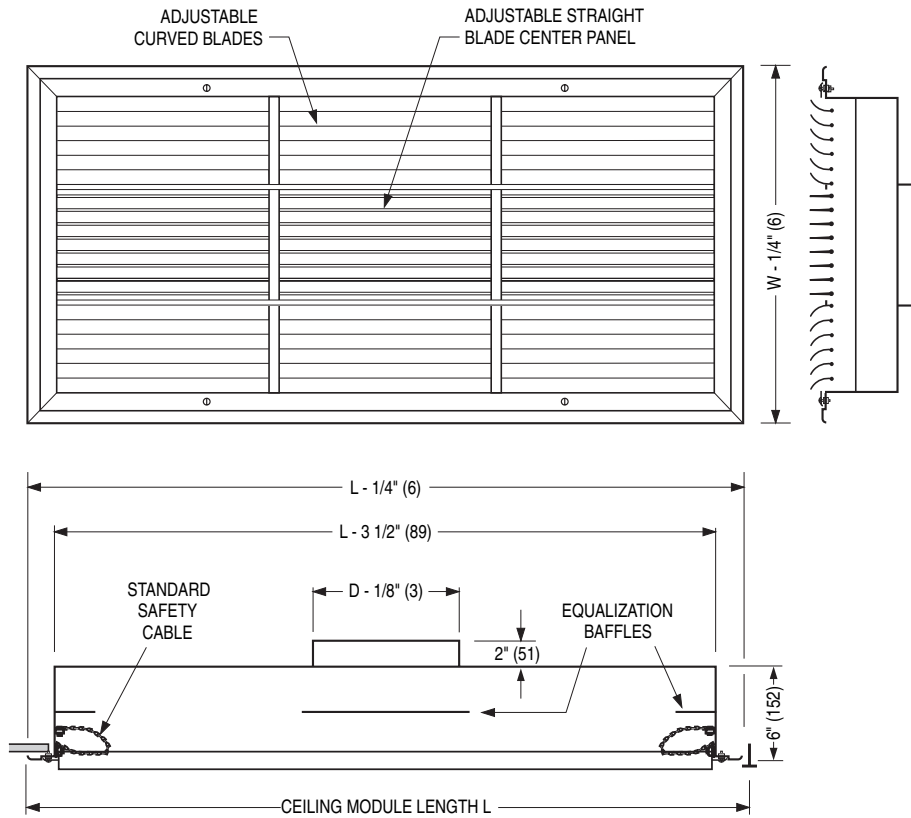


### Type L Lay-in T-Bar Detail



## Dimensional Data

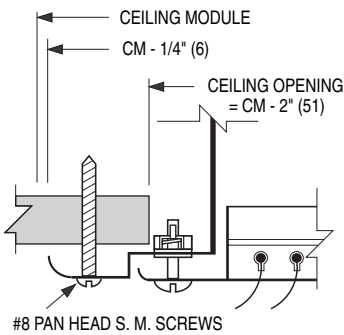
Model Series 92CBSRP • Adjustable Radial Pattern Diffusers • Straight Blade Center Panel



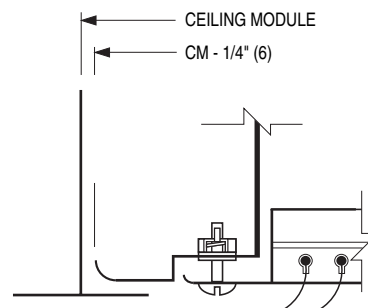
**Ceiling Module Sizes L x W & Nominal Round Duct Sizes D**

L x W	Imperial Modules (inches)		24 x 24	48 x 24
	Metric Modules (mm)		600 x 600	1200 x 600
Duct Size D	(inches)		8,	10,
			10	12
	(mm)		203,	254,
			254	305

**Type S Surface Mount Detail**



**Type L Lay-in T-Bar Detail**





## HOW TO SPECIFY OR TO ORDER

(Show complete Model Number and Size, unless "Default" is desired).

### Steel or Aluminum Adjustable Radial Pattern Diffusers – Model Series 92CBRP

92CBPRP-AL - 08 - 24 x 24 - L - AW - —

#### MODEL

##### Perforated Center Panel

- Aluminum 92CBPRP-AL
- Steel 92CBPRP

##### Straight Blade Center Panel

- Aluminum 92CBSRP-AL
- Steel 92CBSRP

#### ROUND INLET SIZE

08, 10, 12 (203, 254, 305)

#### CEILING MODULE SIZE

##### Imperial Modules (inches) (mm)

- 24 x 24 (610 x 610)
- 48 x 24 (1219 x 610)

##### Metric Modules (mm)

- 600 x 600
- 1200 x 600

#### OPTIONS

- None (default) —
- Earthquake Tabs EQT

#### FINISH

- Appliance White (default) AW
- Aluminum AL
- Special Custom Color SP
- Acrylic Appliance White AAW
- Acrylic Custom Color ASP

#### FRAME TYPE

- Lay-in T-Bar L
- Surface Mount S

#### Note:

1. Consult dimensional data as to limitations of model, module and neck size combinations.

#### SUGGESTED SPECIFICATION:

##### Models 92CBPRP-AL, 92CBPRP – Perforated Center Panel

Furnish and install **Nailor Model** (select one) **92CBPRP-AL** (aluminum backpan, baffles and perforated center) or **Model 92CBPRP** (corrosion-resistant steel backpan, baffles and perforated center) **Adjustable Radial Pattern Diffusers with a Perforated Center Panel** of the sizes and capacities as shown on the plans and air distribution schedules. The diffusers shall have an extruded aluminum frame and the face panel shall include adjustable extruded aluminum curved blades with a perforated center panel. The perforated center panel shall have 3/16" (5) dia. holes on 1/4" (6) staggered centers, providing 51% free area. The face shall be attached to the plenum with 1/4 turn fasteners to allow for complete removal and access to the interior for cleaning. All diffusers are to include safety cables to prevent accidental dropping of the removable face. The finish shall be AW Appliance White baked enamel (optional finishes are available).

The manufacturer shall provide published performance data for the diffuser, which shall be tested in accordance with ANSI/ASHRAE Standard 70 – 2006.

##### Models 92CBSRP-AL, 92CBSRP – Straight Blade Center Panel

Furnish and install **Nailor Model** (select one) **92CBSRP-AL** (aluminum backpan and baffles) or **Model 92CBSRP** (corrosion-resistant steel backpan and baffles) **Adjustable Radial Pattern Diffusers with a Straight Blade Center Panel** of the sizes and capacities as shown on the plans and air distribution schedules. The diffusers shall have an extruded aluminum frame and the face panel shall include adjustable extruded aluminum curved blades with an adjustable straight blade center panel. The face shall be attached to the plenum with 1/4 turn fasteners to allow for complete removal and access to the interior for cleaning. All diffusers are to include safety cables to prevent accidental dropping of the removable face. The finish shall be AW Appliance White baked enamel (optional finishes are available).

The manufacturer shall provide published performance data for the diffuser, which shall be tested in accordance with ANSI/ASHRAE Standard 70 – 2006.

HOSPITAL / CLEANROOM DIFFUSERS

## Performance Data

### Adjustable Radial Pattern Diffusers

#### Models: 92CBPRP, 92CBPRP-AL • Perforated Center Panel

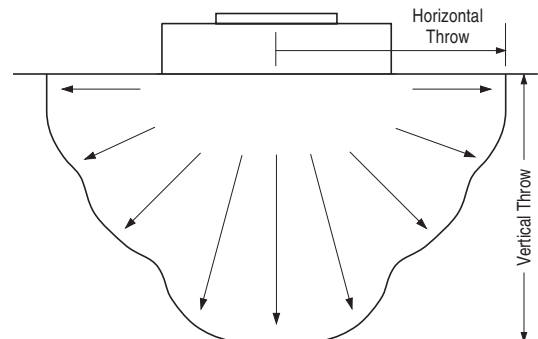
Module Size and Inlet Size	Airflow cfm	Pt "w.g.	Ps "w.g.	NC	Horizontal Throw (ft)		Vertical Throw (ft)	
					5°ΔT	15°ΔT	5°ΔT	15°ΔT
					100-75-50	100-75-50	100-75-50	100-75-50
24" x 24" 8" Inlet	200	.037	.017	—	1-3-4	1-3-4	1-4-6	3-6-7
	300	.084	.038	23	1-4-5	1-3-5	2-5-7	4-7-8
	400	.149	.067	33	1-5-7	1-4-6	3-6-8	5-8-9
24" x 24" 10" Inlet	300	.045	.026	—	1-5-6	2-3-5	2-5-7	4-6-8
	400	.080	.047	21	1-5-7	2-5-6	2-6-8	5-7-9
	600	.181	.106	35	2-6-9	5-7-8	3-6-9	6-8-9
24" x 48" 10" Inlet	400	.068	.035	21	1-2-4	3-4-5	3-4-6	4-6-7
	600	.154	.079	32	2-4-5	2-5-6	4-5-7	5-7-8
	800	.274	.140	42	2-5-7	3-6-7	5-6-7	7-8-9
24" x 48" 12" Inlet	600	.094	.057	24	2-4-5	2-5-6	3-5-7	4-7-8
	800	.165	.100	33	2-5-7	3-5-7	3-6-8	5-7-9
	1000	.258	.157	41	3-5-8	4-6-9	4-7-9	6-8-10

#### Models: 92CBSRP, 92CBSRP-AL • Straight Blade Center Panel

Module Size and Inlet Size	Airflow cfm	Pt "w.g.	Ps "w.g.	NC	Horizontal Throw (ft)		Vertical Throw (ft)	
					5°ΔT	15°ΔT	5°ΔT	15°ΔT
					100-75-50	100-75-50	100-75-50	100-75-50
24" x 24" 8" Inlet	200	.035	.015	—	1-2-3	1-2-3	1-5-7	2-6-8
	300	.079	.033	22	2-3-4	2-3-3	2-6-7	2-7-8
	400	.140	.058	32	2-3-5	2-3-4	3-7-8	3-8-9
24" x 24" 10" Inlet	300	.043	.024	—	2-3-4	2-3-3	2-6-7	2-7-8
	400	.076	.043	20	2-3-5	2-3-4	3-7-8	3-8-9
	600	.172	.097	34	3-4-7	3-4-5	3-7-9	4-9-10
24" x 48" 10" Inlet	400	.064	.031	—	2-4-5	3-5-6	2-3-5	4-6-7
	600	.144	.069	30	3-5-6	4-6-7	2-5-7	5-7-8
	800	.256	.122	40	5-6-7	6-7-8	3-6-8	6-8-9
24" x 48" 12" Inlet	600	.086	.049	22	3-5-6	4-6-7	2-6-7	5-7-8
	800	.154	.089	31	5-6-7	6-7-8	3-6-8	6-8-9
	1000	.240	.139	39	6-7-8	7-8-9	3-7-8	5-8-10

#### Performance Notes:

1. Throw values are given for terminal velocities of 100, 75 and 50 fpm.
2. Vertical throw is the furthest distance below the ceiling where the indicated terminal velocity can be measured.
3. ΔT is the cooling temperature differential between supply and room air.
4. NC (Noise Criteria) values based on 10 dB room absorption, re 10<sup>-12</sup> watts. Dash (—) in space indicates an NC level of less than 20.
5. Data derived from tests were conducted in accordance with ANSI/ASHRAE Standard 70 - 2006.



## LAMINAR FLOW DIFFUSERS

- PROVEN TECHNOLOGY
- REMOVABLE PERFORATED FACE
- INTEGRAL VOLUME DAMPER

### Models:

- 92LFD-AL Aluminum
- 92LFD Steel
- 92LFD-SS Stainless Steel



The **Nailor 92LFD Series Laminar Flow Diffusers** utilize the well-proven and time-tested concept of vertical air mass 'laminar flow' technology. The **92LFD Series** produce a non-aspirating, low velocity, uniformly distributed downward moving 'piston' of conditioned air.

They may be used individually, or as in the case of hospital operating rooms, several units may be banked together to sufficiently cover the area and produce one large combined laminar mass. Installed in an operating room above the operating table, the clean conditioned air flows over and blankets the operating table, helping to protect and effectively isolate the patient from contaminated air. The only significant amount of room air entrainment occurs at the outer boundary of the laminar flow mass, outside the confines of the operating table. The patient is therefore bathed in 'clean air' and effectively isolated from secondary room air and any airborne contaminants.

The advantages of 'Laminar Flow' technology provide similar benefits in other 'cleanroom' applications such as research laboratories, animal laboratories, food processing plants and pharmaceutical laboratories.

The ability of the **92LFD Series** to maintain a sterile environment directly below is enhanced by the use of low level exhaust grilles located around the room periphery which remove the contaminated air before it can react with the boundary layer of the laminar flow mass.

A more recent application has been their use in computer rooms, where localized heavy cooling loads present a problem. The **92LFD Series**, when installed overhead, cools the load source directly, without creating objectionable high velocities in the occupied zone.

### FEATURES:

- Face plate is removable for cleaning and is secured by 1/4 turn fasteners.
- Safety cables are included as standard and prevent accidental dropping of the removable face.
- Integral backpan with round inlets.
- Perforated face has 3/32" (2.4) dia. holes on 60°, 1/4" (6) staggered centers (13% free area).
- Available in lay-in T-Bar and surface mount frame styles.
- Integral damper with screwdriver slot is easily accessed by removing face plug.

### Material:

**92LFD** - corrosion-resistant steel.

**92LFD-AL** - extruded aluminum frame, aluminum perforated face and corrosion-resistant steel backpan, deflector ring and damper (standard).

**Option:** AB Aluminum backpan, deflector ring and damper.

**92LFD-SS** - Type 304 stainless steel construction.

**Option:** 316 - Type 316 stainless steel construction.

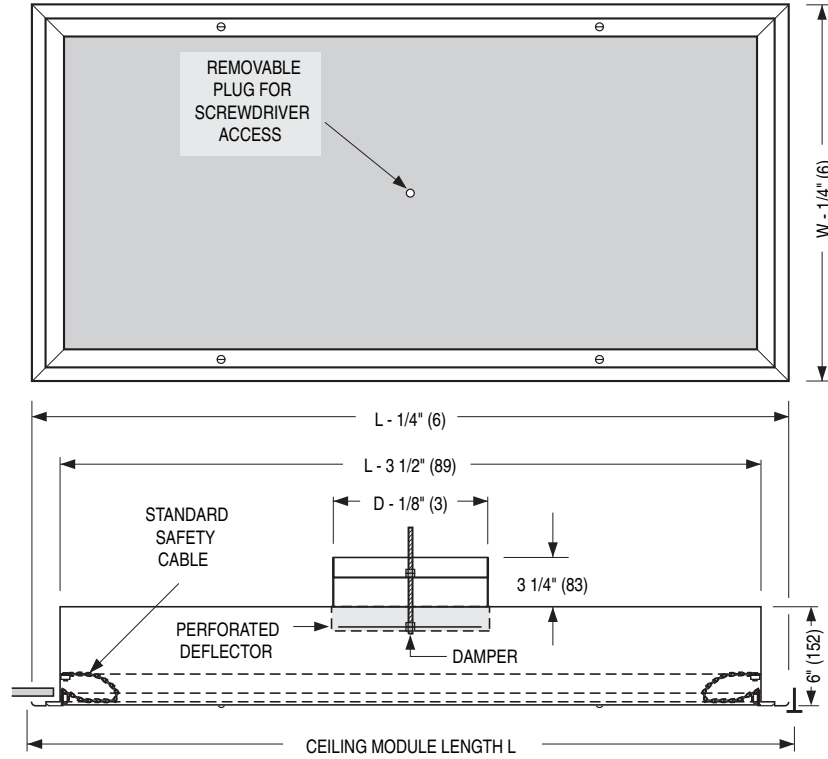
**Finish:** Standard finish is AW Appliance White baked enamel on steel and aluminum models.

Standard finish on stainless steel models is #3 Satin Polished finish.

Other finishes are available.

## Dimensional Data

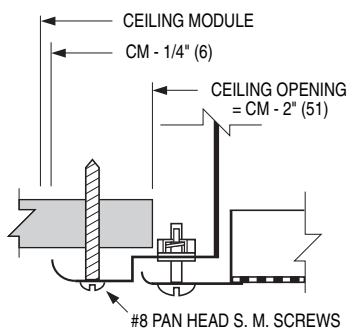
Models 92LFD-AL and 92LFD • Aluminum and Steel Laminar Flow Diffusers



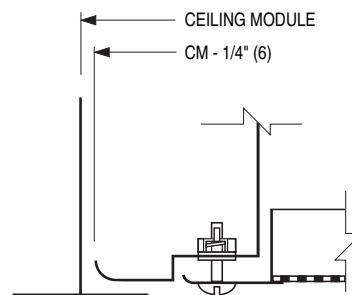
**Models 92LFD-AL, 92LFD**  
Ceiling Module Sizes L x W & Nominal Round Duct Sizes D

L x W	Imperial Modules (inches)	48 x 12	60 x 12	72 x 12	24 x 24	36 x 24	48 x 24	60 x 24	72 x 24
	Metric Modules (mm)	1200 x 300	1500 x 300	1800 x 300	600 x 600	900 x 600	1200 x 600	1500 x 600	1800 x 600
Duct Size D	(inches)	6, 7, 8	6, 7, 8	6, 7, 8	6, 7, 8, 10	6, 7, 8, 10, 12	7, 8, 10, 12	10, 12	10, 12
	(mm)	152, 178, 203	152, 178, 203	152, 178, 203	152, 178, 203, 254	152, 178, 203, 254, 305	178, 203, 254, 305	254, 305	254, 305

### Type S Surface Mount Detail



### Type L Lay-in T-Bar Detail

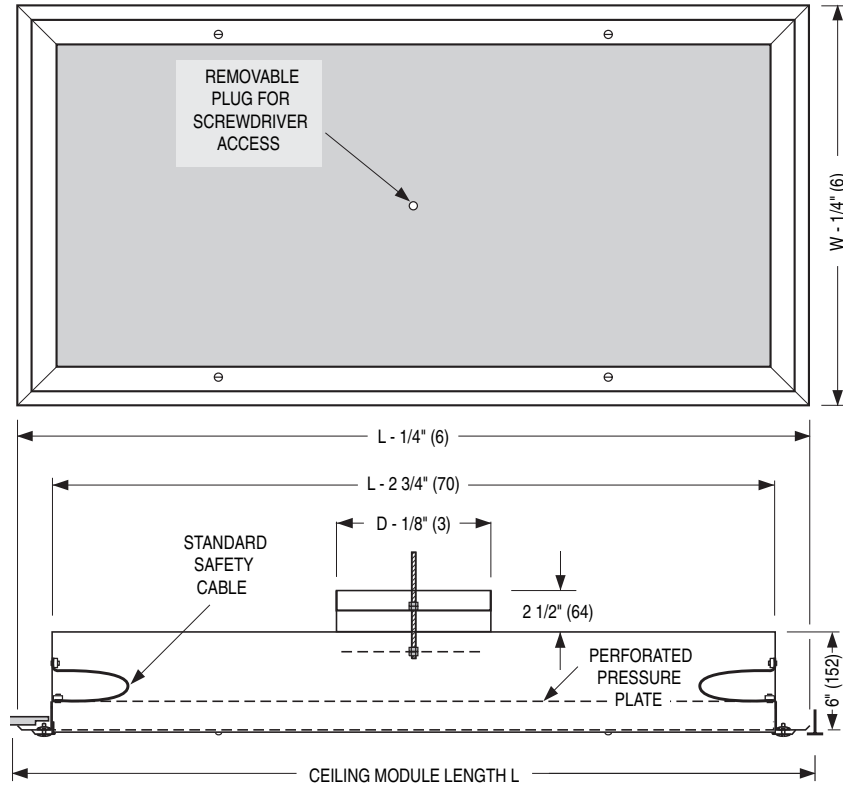


E

HOSPITAL / CLEANROOM DIFFUSERS

## Dimensional Data

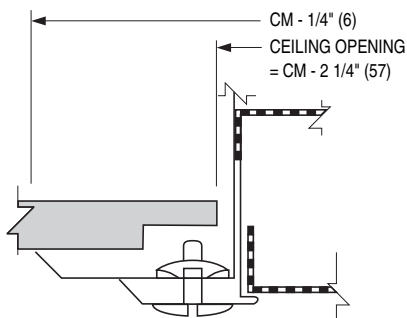
### Model 92LFD-SS • Stainless Steel Laminar Flow Diffusers



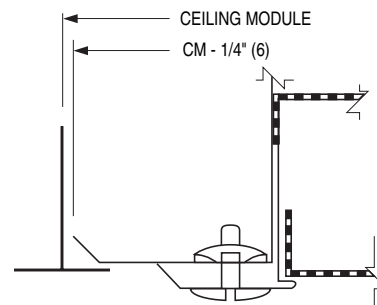
**Model 92LFD-SS**  
Ceiling Module Sizes L x W & Nominal Round Duct Sizes D

L x W	Imperial Modules (inches)		48 x 12	60 x 12	72 x 12	24 x 24	36 x 24	48 x 24	60 x 24	72 x 24
	Metric Modules (mm)		1200 x 300	1500 x 300	1800 x 300	600 x 600	900 x 600	1200 x 600	1500 x 600	1800 x 600
Duct Size D	(inches)		6, 7, 8	6, 7, 8	6, 7, 8	6, 7, 8	6, 7, 8 10, 12	7, 8, 10, 12	10, 12	10, 12
	(mm)		152, 178, 203	152, 178, 203	152, 178, 203	152, 178, 203	152, 178, 203 254, 305	178, 203, 254, 305	254, 305	254, 305

#### Type S Surface Mount Detail



#### Type L Lay-in T-Bar Detail



## HOW TO SPECIFY OR TO ORDER

(Show complete Model Number and Size, unless "Default" is desired).

### Aluminum and Steel Laminar Flow Diffusers – Model Series 92LFD

**92LFD-AL - 10 - 48 x 24 - L - AW - —**

#### MODEL

- Aluminum (with steel backpan) 92LFD-AL
- Steel 92LFD

#### INLET SIZE

06, 07, 08, 10, 12 (152, 178, 203, 254, 305)

#### CEILING MODULE SIZE

##### Imperial Modules (inches) (mm)

- 48 x 12 (1219 x 305)
- 60 x 12 (1524 x 305)
- 72 x 12 (1829 x 305)
- 24 x 24 (610 x 610)
- 36 x 24 (914 x 610)
- 48 x 24 (1219 x 610)
- 60 x 24 (1524 x 610)
- 72 x 24 (1829 x 610)

##### Metric Modules (mm)

- 1200 x 300
- 1500 x 300
- 1800 x 300
- 600 x 600
- 900 x 600
- 1200 x 600
- 1500 x 600
- 1800 x 600

#### OPTIONS

- None (default) —
- Aluminum Backpan, Deflector and Damper (92LFD-AL only) AB

#### FINISH

- Appliance White (default) AW
- Aluminum AL
- Special Custom Color SP
- Acrylic Appliance White AAW
- Acrylic Custom Color ASP

#### FRAME TYPE

- Lay-in T-Bar L
- Surface Mount S

#### Note:

1. Consult dimensional data as to limitations of model, module and neck size combinations.

#### SUGGESTED SPECIFICATION:

Furnish and install **Nailor Model** (select one) **92LFD-AL** (aluminum perforated face) or **Model 92LFD** (steel perforated face) **Laminar Flow Diffusers** of the sizes and capacities as shown on the plans and air distribution schedules. The diffusers shall have an extruded aluminum frame with a corrosion-resistant steel backpan and perforated inlet deflector ring. The perforated face of the diffuser shall have 13% free area with 3/32" (2.4) dia. holes on 1/4" (6) staggered centers. The face shall be attached with 1/4 turn fasteners to allow for complete removal and access to the interior for cleaning. All diffusers are to include safety cables to prevent accidental dropping of the removable face. A corrosion-resistant steel disc type damper, adjustable from the face of the diffuser, shall be provided with all units. The finish shall be AW Appliance White baked enamel (optional finishes are available).

The manufacturer shall provide published performance data for the diffuser, which shall be tested in accordance with ANSI/ASHRAE Standard 70 – 2006.

## HOW TO SPECIFY OR TO ORDER

(Show complete Model Number and Size, unless "Default" is desired).

### Stainless Steel Laminar Flow Diffusers – Model 92LFD-SS

**92LFD-SS - 10 - 48 x 24 - L - #3 - —**

**MODEL**

- 304 Stainless Steel      92LFD-SS

**INLET SIZE**

06, 07, 08, 10, 12 (152, 178, 203, 254, 305)

**CEILING MODULE SIZE**

**Imperial Modules (inches) (mm)**

- 48 x 12 (1219 x 305)
- 60 x 12 (1524 x 305)
- 72 x 12 (1829 x 305)
- 24 x 24 (610 x 610)
- 36 x 24 (914 x 610)
- 48 x 24 (1219 x 610)
- 60 x 24 (1524 x 610)
- 72 x 24 (1829 x 610)

**Metric Modules (mm)**

- 1200 x 300
- 1500 x 300
- 1800 x 300
- 600 x 600
- 900 x 600
- 1200 x 600
- 1500 x 600
- 1800 x 600

**OPTIONS**

- None (default)      —
- 316 Stainless Steel Construction      316

**FINISH**

- #3 Satin Polished (default)      #3
- Appliance White      AW
- Special Custom Color      SP

**FRAME TYPE**

- Lay-in T-Bar      L
- Surface Mount      S



HOSPITAL / CLEANROOM DIFFUSERS

**Note:**

1. Consult dimensional data as to limitations of model, module and neck size combinations.

**SUGGESTED SPECIFICATION:**

Furnish and install **Nailor Model 92LFD-SS Laminar Flow Diffusers** of the sizes and capacities as shown on the plans and air distribution schedules. The diffusers shall be constructed entirely from 304 stainless steel (316 optional), minimum 24 gauge. The perforated face of the diffuser shall have 13% free area with 3/32" (2.4) dia. holes on 1/4" (6) staggered centers. The face shall incorporate a second pressure plate as an integral assembly to ensure true laminar airflow. The face shall be attached with 1/4 turn fasteners to allow for complete removal and access to the interior for cleaning. All diffusers are to include safety cables to prevent accidental dropping of the removable face. A disc type damper, adjustable from the face of the diffuser, shall be provided with all units. Integral earthquake hanger tabs shall be included with all units. All exposed surfaces shall have a #3 satin polished finish (optional finishes are available).

The manufacturer shall provide published performance data for the diffuser, which shall be tested in accordance with ANSI/ASHRAE Standard 70 – 2006.

## Performance Data

Models 92LFD-AL, 92LFD, 92LFD-SS

### Imperial Units

#### 8" (203 mm) dia. Inlet

Module Size	Airflow, CFM	100	120	140	160	180	200	220	240	260	280	300
48" x 12" or 1200 mm x 300 mm	Total Pressure	.030	.043	.058	.076	.096	.119	.144	.172	.201	.233	.268
	NC	—	17	19	22	25	27	29	31	34	35	37
	Throw	.5-1-2	.5-1-3	1-1.5-4	1.5-2-4	1.5-2.5-5	2-3.5-5	2.5-4-6	3-4.5-7	3-4.5-7.5	4-5.5-8	4.5-6-9
60" x 12" or 1500 mm x 300 mm	Total Pressure	.028	.040	.055	.072	.091	.112	.136	.161	.189	.220	.252
	NC	—	16	18	21	24	25	28	30	33	34	36
	Throw	.5-1-2	1-1-3	1-1.5-4	1-2-4	1-2.5-4.5	2-3.5-5	2-4-5.5	3-4-6.5	3-5-7	4-5-8	4-6-8.5
72" x 12" or 1800 mm x 300 mm	Total Pressure	.026	.037	.050	.066	.083	.103	.125	.148	.174	.202	.232
	NC	—	16	18	21	23	26	27	30	32	33	35
	Throw	.5-1-2	1-1-3	1-1.5-4	1-2-4	1-2.5-4.5	2-3.5-5	2-4.5-5	3-4-6.5	3-4.5-7	4-5-8	4-6-8.5

Module Size	Airflow, CFM	100	120	140	160	180	200	220	240	260	280	300
24" x 24" or 600 mm x 600 mm	Total Pressure	.030	.043	.058	.076	.096	.119	.144	.172	.201	.233	.268
	NC	—	17	19	22	25	27	29	31	34	35	37
	Throw	.5-1-2	.5-1-3	1-1.5-4	1.5-2-4	1.5-2.5-5	2-3.5-6	2.5-4-6	3-4.5-7	3-4.5-7.5	4-5.5-8	4.5-6-9
36" x 24" or 900 mm x 600 mm	Total Pressure	.026	.037	.050	.066	.083	.103	.125	.148	.174	.202	.232
	NC	—	15	18	21	24	26	28	30	33	34	36
	Throw	0-1-1.5	0-1-2	0-1-3	1-2-3.5	1-2-4.5	2-3-5	2-3-5.5	2-3.5-6	2.5-4.5-7	3-5-8	3-5-8
48" x 24" or 1200 mm x 600 mm	Total Pressure	.023	.034	.046	.060	.075	.093	.113	.134	.158	.183	.210
	NC	—	—	17	20	23	25	27	30	32	33	35
	Throw	0-.5-1.5	.5-1-2	.5-1-2.5	1-1.5-3	1-2-4	1-2-5	1.5-2.5-5	2-3-6	2-4-6.5	2-4.5-7	3-5-7

#### 10" (254 mm) dia. Inlet

Module Size	Airflow, CFM	160	180	200	220	240	260	280	300	320	340	360
24" x 24" or 600 mm x 600 mm	Total Pressure	.057	.072	.089	.108	.128	.151	.175	.200	.228	.258	.289
	NC	15	18	20	22	24	26	28	30	33	35	38
	Throw	1.5-2-4	1.5-2.5-5	2-3.5-6	2.5-4-6	3-4.5-7	3-4.5-7.5	4-5.5-8	4.5-6-9	5.5-7-10	6-8-12	7.5-9.5-13
48" x 24" or 1200 mm x 600 mm	Total Pressure	.022	.028	.035	.042	.050	.059	.069	.079	.090	.113	.140
	NC	—	15	18	19	22	25	27	29	31	33	35
	Throw	1-1-3	1-2-4	1-2-5	1.5-2.5-5	2-3-6	2-4-6.5	2-4.5-7	3-5-7	3-5-8	4-6-8.5	5-7-9
60" x 24" or 1500 mm x 600 mm	Total Pressure	.021	.027	.033	.040	.048	.056	.065	.074	.084	.107	.132
	NC	—	—	17	19	22	24	27	29	31	33	35
	Throw	1-1-3	1-2-4	1-2-5	1.5-2.5-5	2-3-6	2-4-6.5	2-4.5-7	3-5-7	3-5-8	4-6-8.5	5-7-9
72" x 24" or 1800 mm x 600 mm	Total Pressure	.021	.027	.033	.036	.043	.050	.058	.066	.076	.096	.118
	NC	—	—	17	19	22	24	27	29	31	32	34
	Throw	1-1-3	1-1-4	1-2-4.5	1-2-5	1.5-2.5-6	2-3-6	2-4-7	2.5-4-7	3-4.5-7.5	3.5-5-8	4.5-6-9

#### 12" (305 mm) dia. Inlet

Module Size	Airflow, CFM	230	260	290	315	345	375	400	430	460	490	520
48" x 24" or 1200 mm x 600 mm	Total Pressure	.036	.046	.057	.068	.081	.096	.109	.126	.144	.163	.184
	NC	15	18	21	22	25	28	30	32	35	38	42
	Throw	1-2-6	1.5-3-6.5	2-4-7	3-5-8	4-5.5-8	4.5-6-8.5	5-7-9.5	5.5-7.5-10	6-8-11	6.5-8.5-11.5	7-9-12
60" x 24" or 1500 mm x 600 mm	Total Pressure	.031	.040	.049	.058	.070	.083	.094	.108	.124	.141	.159
	NC	15	18	21	22	25	28	30	32	35	38	42
	Throw	1-2-6	2-3-6	2-4-7	3-5-8	4-5.5-7.5	4.5-6-8.5	5-6.5-9	5.5-7.5-9.5	6-8-10.5	6-8.5-11	6.5-8.5-11.5
72" x 24" or 1800 mm x 600 mm	Total Pressure	.028	.036	.045	.053	.063	.075	.085	.099	.113	.128	.144
	NC	14	17	20	21	24	27	29	31	34	37	41
	Throw	1-2-5	1.5-2.5-6	2-4-6.5	3-4.5-7	4-5-7	4-5.5-8	5-6-8.5	5-7-9	5.5-7.5-10	6-8-10.5	6-8-11

CFM - cubic feet per minute

FPM - feet per minute velocity

TP - total pressure - inches w.g.

T - throw in feet

NC - Noise Criteria (values) based on 10 dB room absorption, re 10<sup>-12</sup> watts. Damper fully open.

#### Performance Notes:

1. Throws are the average vertical distance in feet to terminal velocities of 100, 75 and 50 fpm. Based upon a cooling ΔT of 10°F. 9 ft. ceiling.
2. Data derived from tests conducted in accordance with ANSI/ASHRAE Standard 70 – 2006.



## Performance Data

### Models 92LFD-AL, 92LFD, 92LFD-SS

#### Metric Units

#### 8" (203 mm) dia. Inlet

Module Size	Airflow, L/S	47	57	66	76	85	94	104	113	123	132	142
1219 mm x 305 mm or	Total Pressure	7	11	14	19	24	30	36	43	50	58	67
	NC	—	17	19	22	25	27	29	31	34	35	37
1200 mm x 300 mm	Throw	0.2-0.3-0.6	0.2-0.3-0.9	0.3-0.5-1.2	0.5-0.6-1.2	0.5-0.8-1.5	0.6-1.1-1.5	0.8-1.2-1.8	0.9-1.4-2.1	0.9-1.4-2.3	1.2-1.7-2.4	1.4-1.8-2.7
1524 mm x 305 mm or	Total Pressure	7	10	14	18	23	28	34	40	47	55	63
	NC	—	16	18	21	24	25	28	30	33	34	36
1500 mm x 300 mm	Throw	0.2-0.3-0.6	0.3-0.3-0.9	0.3-0.5-1.2	0.3-0.6-1.2	0.3-0.8-1.4	0.6-1.1-1.5	0.6-1.2-1.7	0.9-1.2-2.0	0.9-1.5-2.1	1.2-1.5-2.4	1.2-1.8-2.6
1829 mm x 305 mm or	Total Pressure	6	9	12	16	21	26	31	37	43	50	58
	NC	—	16	18	21	23	26	27	30	32	33	35
1800 mm x 300 mm	Throw	0.2-0.3-0.6	0.3-0.3-0.9	0.3-0.5-1.2	0.3-0.6-1.2	0.3-0.8-1.4	0.6-1.1-1.5	0.6-1.4-1.5	0.9-1.2-2.0	0.9-1.4-2.1	1.2-1.5-2.4	1.2-1.8-2.6

Module Size	Airflow, L/S	47	57	66	76	85	94	104	113	123	132	142
610 mm x 610 mm or	Total Pressure	7	11	14	19	24	30	36	43	50	58	67
	NC	—	17	19	22	25	27	29	31	34	35	37
600 mm x 600 mm	Throw	0.2-0.3-0.6	0.2-0.3-0.9	0.3-0.5-1.2	0.5-0.6-1.2	0.5-0.8-1.5	0.6-1.1-1.8	0.8-1.2-1.8	0.9-1.4-2.1	0.9-1.4-2.3	1.2-1.7-2.4	1.4-1.8-2.7
914 mm x 610 mm or	Total Pressure	6	9	12	16	21	26	31	37	43	50	58
	NC	—	15	18	21	24	26	28	30	33	34	36
900 mm x 600 mm	Throw	0-0.3-0.5	0-0.3-0.6	0-0.3-0.9	0.3-0.6-1.1	0.3-0.6-1.4	0.6-0.9-1.5	0.6-0.9-1.7	0.6-1.1-1.8	0.8-1.4-2.1	0.9-1.5-2.4	0.9-1.5-2.4
1219 mm x 610 mm or	Total Pressure	6	8	11	15	19	23	28	33	39	45	52
	NC	—	—	17	20	23	25	27	30	32	33	35
1200 mm x 600 mm	Throw	0-0.2-0.5	0.2-0.3-0.6	0.2-0.3-0.8	0.3-0.5-0.9	0.3-0.6-1.2	0.3-0.6-1.5	0.5-0.8-1.5	0.6-0.9-1.8	0.6-1.2-2.0	0.6-1.4-2.1	0.9-1.5-2.1

#### 10" (254 mm) dia. Inlet

Module Size	Airflow, L/S	76	85	94	104	113	123	132	142	151	160	170
610 mm x 610 mm or	Total Pressure	14	18	22	27	32	38	44	50	57	64	72
	NC	15	18	20	22	24	26	28	30	33	35	38
600 mm x 600 mm	Throw	0.5-0.6-1.2	0.5-0.8-1.5	0.6-1.1-1.8	0.8-1.2-1.8	0.9-1.4-2.1	0.9-1.4-2.3	1.2-1.7-2.4	1.4-1.8-2.7	1.7-2.1-3.0	1.8-2.4-3.7	2.3-2.9-4.0
1219 mm x 610 mm or	Total Pressure	5	7	9	10	12	15	17	20	22	28	35
	NC	—	15	18	19	22	25	27	29	31	33	35
1200 mm x 600 mm	Throw	0.3-0.3-0.9	0.3-0.6-1.2	0.3-0.6-1.5	0.5-0.8-1.5	0.6-0.9-1.8	0.6-1.2-2.0	0.6-1.4-2.1	0.9-1.5-2.1	0.9-1.5-2.4	1.2-1.8-2.6	1.5-2.1-2.7
1524 mm x 610 mm or	Total Pressure	5	7	8	10	12	14	16	18	21	27	33
	NC	—	—	17	19	22	24	27	29	31	33	35
1500 mm x 600 mm	Throw	0.3-0.3-0.9	0.3-0.6-1.2	0.3-0.6-1.5	0.5-0.8-1.5	0.6-0.9-1.8	0.6-1.2-2.0	0.6-1.4-2.1	0.9-1.5-2.1	0.9-1.5-2.4	1.2-1.8-2.6	1.5-2.1-2.7
1829 mm x 610 mm or	Total Pressure	5	7	8	9	11	12	14	16	19	24	29
	NC	—	—	17	19	22	24	27	29	31	32	34
1800 mm x 600 mm	Throw	0.3-0.3-0.9	0.3-0.3-1.2	0.3-0.6-1.4	0.3-0.6-1.5	0.5-0.8-1.8	0.6-0.9-1.8	0.6-1.2-2.1	0.8-1.2-2.1	0.9-1.4-2.3	1.1-1.5-2.4	1.4-1.8-2.7

#### 12" (305 mm) dia. Inlet

Module Size	Airflow, L/S	109	123	137	149	163	177	189	203	217	231	245
1219 mm x 610 mm or	Total Pressure	9	11	14	17	20	24	27	31	36	41	46
	NC	15	18	21	22	25	28	30	32	35	38	42
1200 mm x 600 mm	Throw	0.3-0.6-1.8	0.5-0.9-2.0	0.6-1.2-2.1	0.9-1.5-2.4	1.2-1.7-2.4	1.4-1.8-2.6	1.5-2.1-2.9	1.7-2.3-3.0	1.8-2.4-3.4	2.0-2.6-3.5	2.1-2.7-3.7
1524 mm x 610 mm or	Total Pressure	8	10	12	14	17	21	23	27	31	35	40
	NC	15	18	21	22	25	28	30	32	35	38	42
1500 mm x 600 mm	Throw	0.3-0.6-1.8	0.6-0.9-1.8	0.6-1.2-2.1	0.9-1.5-2.4	1.2-1.7-2.3	1.4-1.8-2.6	1.5-2.0-2.7	1.7-2.3-2.9	1.8-2.4-3.2	1.8-2.6-3.4	2.0-2.6-3.5
1829 mm x 610 mm or	Total Pressure	7	9	11	13	16	19	21	25	28	32	36
	NC	14	17	20	21	24	27	29	31	34	37	41
1800 mm x 600 mm	Throw	0.3-0.6-1.5	0.5-0.8-1.8	0.6-1.2-2.0	0.9-1.4-2.1	1.2-1.5-2.1	1.2-1.7-2.4	1.5-1.8-2.6	1.5-2.1-2.7	1.7-2.3-3.0	1.8-2.4-3.2	1.8-2.4-3.4

L/S - litres per second

M/S - meters per second velocity

TP - total pressure - Pa

T - throw in meters

NC - Noise Criteria (values) based on 10 dB room absorption, re 10<sup>-12</sup> watts. Damper fully open.

#### Performance Notes:

1. Throws are the average vertical distance in meters to terminal velocities of 0.51, 0.38 and 0.25 m/s. Based upon a cooling ΔT of 5.5°C. 2.7 m ceiling.

2. Data derived from tests conducted in accordance with ANSI/ASHRAE Standard 70 – 2006.

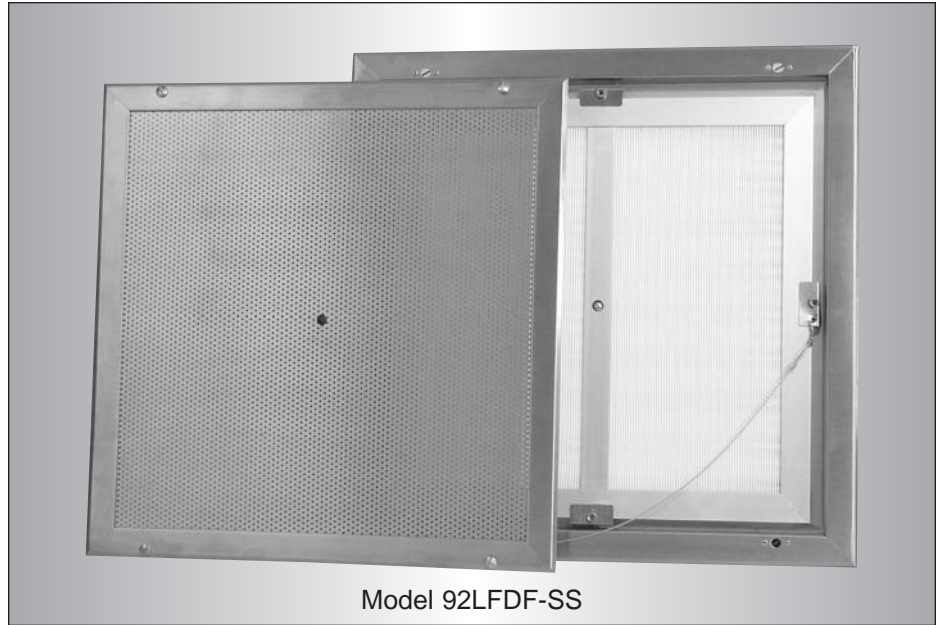
## LAMINAR FLOW DIFFUSERS WITH FILTERS

- PROVEN TECHNOLOGY
- HEPA OR ULPA FILTERS
- REMOVABLE PERFORATED FACE
- INTEGRAL VOLUME DAMPER
- UNIDIRECTIONAL AIRFLOW

### Models:

**92LFDF-AL** Aluminum with Filter

**92LFDF-SS** Stainless Steel with Filter



The **Nailor 92LFDF Series Laminar Flow Diffusers with Filters** utilize the well-proven and time-tested concept of vertical air mass 'laminar flow' technology. The **92LFDF Series** produce a non-aspirating, low velocity, uniformly distributed downward moving 'piston' of conditioned air. They are designed with an integral 'knife-edge' frame to accommodate a Gel Seal HEPA or ULPA filter. The filters can be easily removed and replaced from the face of the unit. These high quality filters incorporate a separatorless 2" (51) deep media, integral test port and an anodized aluminum gel seal frame.

They may be used individually, or as in the case of hospital operating rooms, several units may be banked together to sufficiently cover the area and produce one large combined laminar mass. Installed in an operating room above the operating table, the clean conditioned air flows over and blankets the operating table, helping to protect and effectively isolate the patient from contaminated air. The only significant amount of room air entrainment occurs at the outer boundary of the laminar flow mass, outside the confines of the operating table. The patient is therefore bathed in 'clean air' and effectively isolated from secondary room air and any airborne contaminants.

The advantages of 'Laminar Flow' technology provide similar benefits in other 'cleanroom' applications such as research laboratories, bio-technology facilities, animal laboratories, food processing plants, semi-conductor manufacturing, pharmaceutical laboratories and protective environment rooms.

The ability of the **92LFDF Series** to maintain a sterile environment directly below is enhanced by the use of low level exhaust grilles located around the room periphery which remove the contaminated air before it can react with the boundary layer of the laminar flow mass.

### FEATURES:

- Face plate is removable for cleaning and is secured by 1/4 turn fasteners.
- Safety cables are included as standard and prevent accidental dropping of the removable face.
- Perforated face has 3/32" (2.4) dia. holes on 60°, 1/4" (6) staggered centers (13% free area).
- Round inlets for simple duct connection.
- Standard unit designed for both lay-in T-Bar ceiling systems and surface mount applications.
- Integral 'knife-edge' frame accommodates Gel Seal HEPA or ULPA filters.
- Clear anodized extruded aluminum filter frame with a removable test port for damper adjustment, filter pressure drop measurement or to perform leakage (scan) tests.
- HEPA Filter (99.99% on 0.3 µm) is supplied as standard.
- Filters are packaged independently from the diffuser for final installation in the field (by others).
- Integral damper with screwdriver slot adjustment is easily accessed.

### Material:

**92LFDF-AL** - Extruded aluminum frame, aluminum perforated face, backpan, deflector ring and damper.

**92LFDF-SS** - Type 304 Stainless Steel construction.

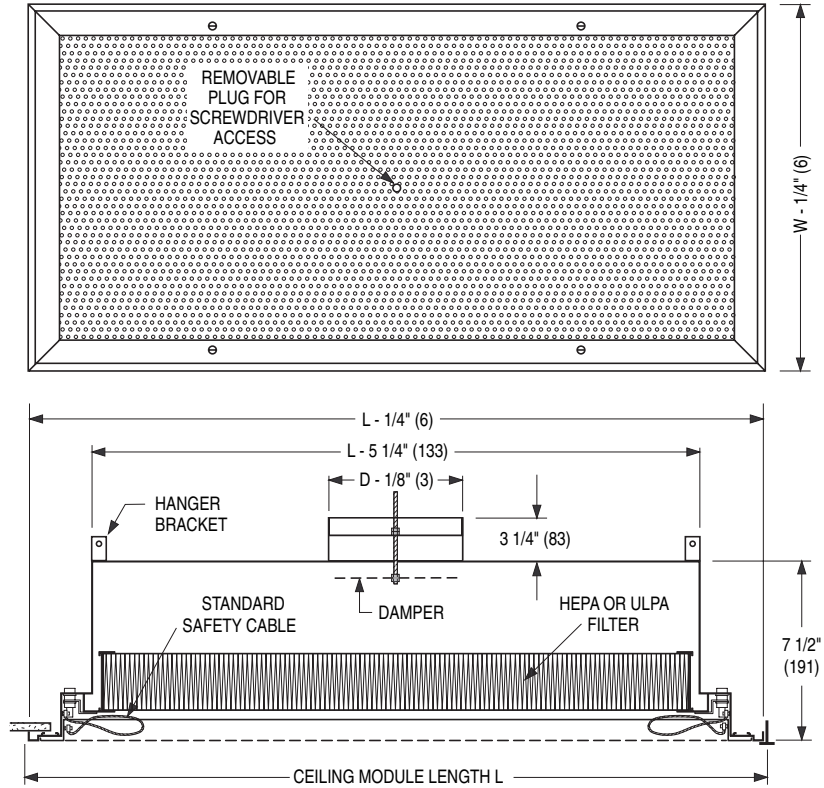
### Options:

- 316 Stainless Steel construction.
- UL ULPA Filter (99.9995% on 0.12 µm).

**Finish:** Standard finish for **Model 92LFDF-AL** is AW Appliance White. The standard finish for **Model 92LFDF-SS** is #3 Satin Polished. Other finishes are available.

## Dimensional Data

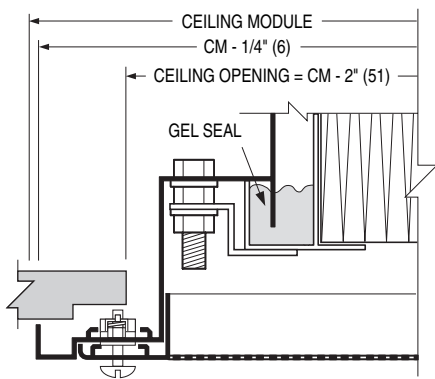
### Model 92LFDF-AL • Aluminum Laminar Flow Diffuser with Filter



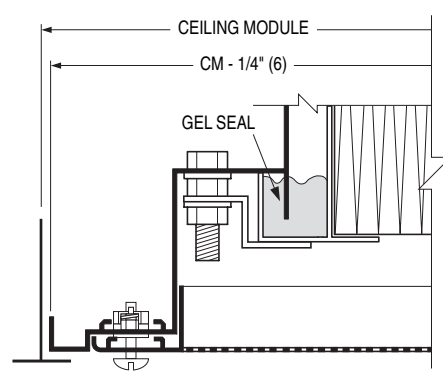
**Ceiling Module Sizes L x W & Nominal Round Duct Sizes D**

L x W	Imperial Modules (inches)		48 x 12	60 x 12	24 x 24	36 x 24	48 x 24	60 x 24
	Metric Modules (mm)		1200 x 300	1500 x 300	600 x 600	900 x 600	1200 x 600	1500 x 600
Duct Size D	(inches)		6	6	6, 7, 8	6, 7, 8, 10	7, 8, 10, 12	10, 12
	(mm)		152	152	152, 178, 203	152, 178, 203, 254	178, 203, 254, 305	254, 305

**Type S Surface Mount Detail**

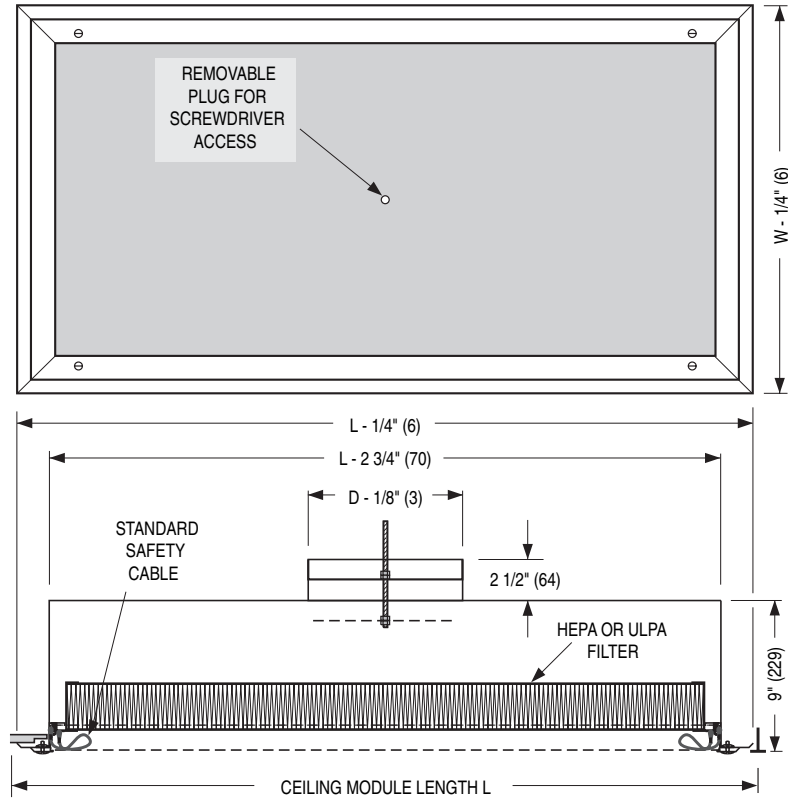


**Type L Lay-in T-Bar Detail**



## Dimensional Data

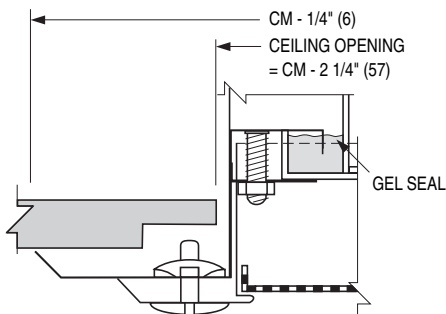
### Model 92LFDF-SS • Stainless Steel Laminar Flow Diffuser with Filter



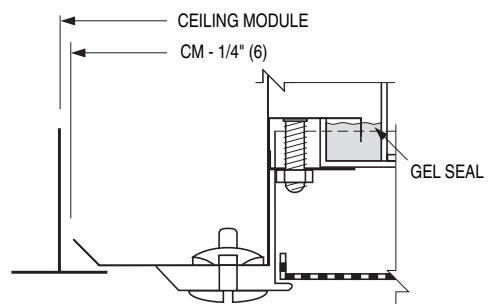
**Ceiling Module Sizes L x W & Nominal Round Duct Sizes D**

L x W	Imperial Modules (inches)	48 x 12	60 x 12	24 x 24	36 x 24	48 x 24	60 x 24
	Metric Modules (mm)	1200 x 300	1500 x 300	600 x 600	900 x 600	1200 x 600	1500 x 600
Duct Size D	(inches)	6, 7, 8	6, 7, 8	6, 7, 8	6, 7, 8, 10	7, 8, 10, 12	10, 12
	(mm)	152, 178, 203	152, 178, 203	152, 178, 203	152, 178, 203, 254	178, 203, 254, 305	254, 305

**Type S Surface Mount Detail**



**Type L Lay-in T-Bar Detail**



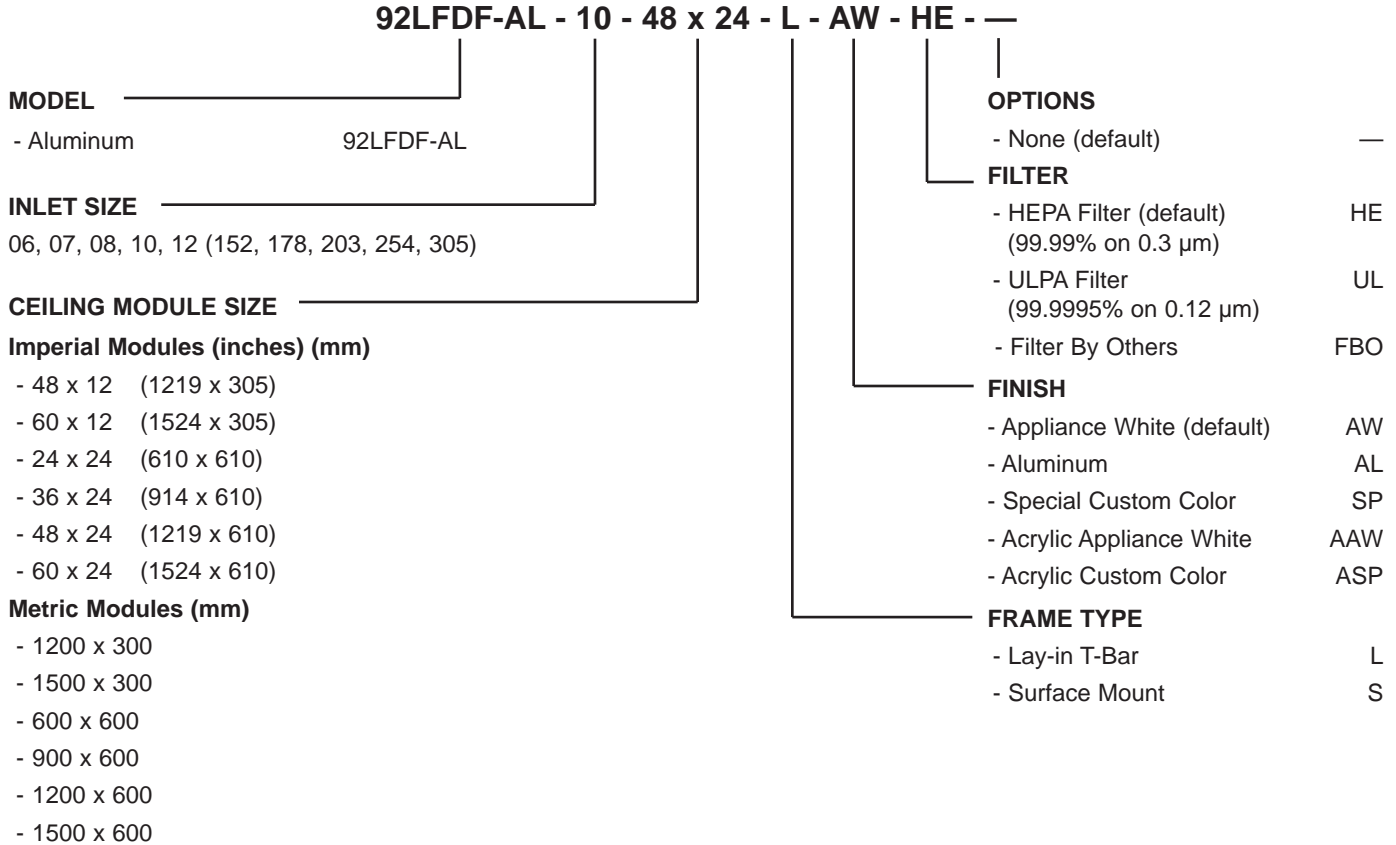
**E**

HOSPITAL / CLEANROOM DIFFUSERS

## HOW TO SPECIFY OR TO ORDER

(Show complete Model Number and Size, unless "Default" is desired).

### Aluminum Laminar Flow Diffuser with Filter – Model 92LFDF-AL



**HOSPITAL / CLEANROOM DIFFUSERS**

**Note:**

1. Consult dimensional data as to limitations of model, module and neck size combinations.

**SUGGESTED SPECIFICATION:**

Furnish and install **Nailor Model 92LFDF-AL Laminar Flow Diffusers with Filters** of the sizes and capacities as shown on the plans and air distribution schedules. The diffusers shall have an aluminum backpan, a perforated inlet deflector ring, a disc type damper and an extruded aluminum frame. The face of the diffuser shall be perforated aluminum and have a 13% free area with 3/32" (2.4) dia. holes on 1/4" (6) staggered centers. The face shall be attached with 1/4 turn fasteners to allow for complete removal and access to the interior for cleaning. All diffusers are to include safety cables to prevent accidental dropping of the removable face. The finish shall be AW Appliance White baked enamel (optional finishes are available).

The diffuser plenum shall incorporate an integral filter frame to accommodate a Gel Seal filter. Filters shall be securely held in place by at least four mounting brackets allowing filter removal from the face of the diffuser without disturbing installed ductwork or the diffuser mounting surface. Filters shall incorporate a removable test port, to measure filter pressure drop, perform leakage (scan) tests and to adjust the balancing damper without removing the filter. The filters efficiency shall be HEPA: 99.99% minimum removal efficiency on 0.30 micrometer particle size (ULPA: 99.9995% minimum removal efficiency on 0.12 micrometer particle size optional). Filters shall incorporate an anodized extruded aluminum frame and a 2" (51) deep separatorless filter pack. All filters shall be UL 900 Class I Listed and Factory Mutual Approved. All filters shall be individually scan tested per Section 6.2 of IEST-RP-CC034.1. Filters are to be packaged independently from the diffuser for final installation of the filter in the field (by others).

The manufacturer shall provide published performance data for the diffuser, which shall be tested in accordance with ANSI/ASHRAE Standard 70 – 2006.

## HOW TO SPECIFY OR TO ORDER

(Show complete Model Number and Size, unless "Default" is desired).

### Stainless Steel Laminar Flow Diffuser with Filter – Model 92LFDF-SS

**92LFDF-SS - 10 - 48 x 24 - L - #3 - HE - —**

**MODEL**

- 304 Stainless Steel      92LFDF-SS

**INLET SIZE**

06, 07, 08, 10, 12 (152, 178, 203, 254, 305)

**CEILING MODULE SIZE**

**Imperial Modules (inches) (mm)**

- 48 x 12 (1219 x 305)
- 60 x 12 (1524 x 305)
- 24 x 24 (610 x 610)
- 36 x 24 (914 x 610)
- 48 x 24 (1219 x 610)
- 60 x 24 (1524 x 610)

**Metric Modules (mm)**

- 1200 x 300
- 1500 x 300
- 600 x 600
- 900 x 600
- 1200 x 600
- 1500 x 600

**OPTIONS**

- None (default)      —
- 316 Stainless Steel Construction      316

**FILTER**

- HEPA Filter (default)      HE  
(99.99% on 0.3 µm)
- ULPA Filter      UL  
(99.9995% on 0.12 µm)
- Filter By Others      FBO

**FINISH**

- #3 Satin Polished (default)      #3
- Appliance White      AW
- Special Custom Color      SP

**FRAME TYPE**

- Lay-in T-Bar      L
- Surface Mount      S

HOSPITAL / CLEANROOM DIFFUSERS

**Note:**

1. Consult dimensional data as to limitations of model, module and neck size combinations.

**SUGGESTED SPECIFICATION:**

Furnish and install **Nailor Model 92LFDF-SS Laminar Flow Diffusers with Filters** of the sizes and capacities as shown on the plans and air distribution schedules. The diffusers shall be constructed entirely from 304 stainless steel (316 optional), minimum 24 gauge. The perforated face of the diffuser shall have 13% free area with 3/32" (2.4) dia. holes on 1/4" (6) staggered centers. The face shall be attached with 1/4 turn fasteners to allow for complete removal and access to the interior for cleaning. All diffusers are to include safety cables to prevent accidental dropping of the removable face. A disc type balancing damper shall be provided with all units. Integral earthquake hanger tabs shall be included with all units. All exposed surfaces shall have a #3 satin polished finish (optional finishes are available).

The diffuser plenum shall incorporate an integral filter frame to accommodate a Gel Seal filter. Filters shall be securely held in place by at least four mounting brackets allowing filter removal from the face of the diffuser without disturbing installed ductwork or the diffuser mounting surface. Filters shall incorporate a removable test port, to measure filter pressure drop, perform leakage (scan) tests and to adjust the balancing damper without removing the filter. The filters efficiency shall be HEPA: 99.99% minimum removal efficiency on 0.30 micrometer particle size (ULPA: 99.9995% minimum removal efficiency on 0.12 micrometer particle size optional). Filters shall incorporate an anodized extruded aluminum frame and a 2" (51) deep separatorless filter pack. All filters shall be UL 900 Class I Listed and Factory Mutual Approved. All filters shall be individually scan tested per Section 6.2 of IEST-RP-CC034.1. Filters are to be packaged independently from the diffuser for final installation of the filter in the field (by others).

The manufacturer shall provide published performance data for the diffuser, which shall be tested in accordance with ANSI/ASHRAE Standard 70 – 2006.

## Performance Data

### Model 92LFDF-AL, 92LFDF-SS

With HEPA Filter • 99.99% Minimum Removal Efficiency on 0.30 Micrometer Particle Size

Imperial Units

8" (203 mm) dia. Inlet

Module Size	Airflow, CFM	100	120	140	160	180	200	220	240	260	280	290
48" x 12" * or 1200 mm x 300 mm	Total Pressure, Pt	0.17	0.24	0.33	0.43	0.55	0.68	0.82	0.98	1.14	1.33	1.42
	Static Pressure, Ps	0.16	0.24	0.32	0.42	0.53	0.66	0.79	0.94	1.11	1.28	1.38
	NC	—	17	19	22	25	27	29	31	34	35	37
	Throw, T	.5-1-2	.5-1-3	1-1.5-4	1.5-2-4	1.5-2.5-5	2-3.5-5	2.5-4-6	3-4.5-7	3-4.5-7.5	4-5.5-8	4.5-6-9
60" x 12" or 1500 mm x 300 mm	Total Pressure, Pt	0.11	0.16	0.22	0.28	0.36	0.44	0.54	0.64	0.75	0.87	0.93
	Static Pressure, Ps	0.11	0.15	0.21	0.27	0.34	0.42	0.51	0.61	0.71	0.83	0.89
	NC	—	16	18	21	24	25	28	30	33	34	36
	Throw, T	.5-1-2	1-1-3	1-1.5-4	1-2-4	1-2.5-4.5	2-3.5-5	2-4-5.5	3-4-6.5	3-5-7	4-5-8	4-6-8.5

Module Size	Airflow, CFM	100	120	140	160	180	200	220	240	260	280	295
24" x 24" * or 600 mm x 600 mm	Total Pressure, Pt	0.17	0.24	0.32	0.42	0.54	0.66	0.80	0.95	1.12	1.30	1.44
	Static Pressure, Ps	0.16	0.23	0.31	0.41	0.52	0.64	0.77	0.92	1.08	1.25	1.39
	NC	—	17	19	22	25	27	29	31	34	35	37
	Throw, T	.5-1-2	.5-1-3	1-1.5-4	1.5-2-4	1.5-2.5-5	2-3.5-6	2.5-4-6	3-4.5-7	3-4.5-7.5	4-5.5-8	4.5-6-9
36" x 24" or 900 mm x 600 mm	Total Pressure, Pt	0.07	0.10	0.14	0.18	0.23	0.29	0.35	0.41	0.48	0.56	0.62
	Static Pressure, Ps	0.07	0.10	0.13	0.17	0.21	0.26	0.32	0.38	0.45	0.52	0.58
	NC	—	15	18	21	24	26	28	30	33	34	36
	Throw, T	0-1-1.5	0-1-2	0-1-3	1-2-3.5	1-2-4.5	2-3-5	2-3-5.5	2-3-5-6	2.5-4.5-7	3-5-8	3-5-8
48" x 24" or 1200 mm x 600 mm	Total Pressure, Pt	0.05	0.07	0.09	0.12	0.15	0.18	0.22	0.27	0.31	0.36	0.40
	Static Pressure, Ps	0.04	0.06	0.08	0.10	0.13	0.16	0.20	0.24	0.28	0.32	0.36
	NC	—	—	17	20	23	25	27	30	32	33	35
	Throw, T	0-5-1.5	.5-1-2	.5-1-2.5	1-1.5-3	1-2-4	1-2-5	1.5-2.5-5	2-3-6	2-4-6.5	2-4.5-7	3-5-7

10" (254 mm) dia. Inlet

Module Size	Airflow, CFM	160	180	200	220	240	260	280	300	320	340	360
36" x 24" or 900 mm x 600 mm	Total Pressure, Pt	0.14	0.18	0.22	0.27	0.32	0.37	0.43	0.50	0.56	0.64	0.71
	Static Pressure, Ps	0.14	0.17	0.21	0.26	0.30	0.36	0.41	0.48	0.54	0.61	0.69
	NC	15	18	20	21	23	26	28	30	32	34	36
	Throw, T	1-2-3.5	1-2-4.5	2-3-5	2-3-5.5	2-3.5-6	2.5-4-7	3-5-8	3-5-8	4-5.5-8.5	4-6-9	5-7-9.5
48" x 24" or 1200 mm x 600 mm	Total Pressure, Pt	0.08	0.10	0.13	0.15	0.18	0.21	0.25	0.28	0.32	0.37	0.41
	Static Pressure, Ps	0.08	0.10	0.12	0.14	0.17	0.20	0.23	0.27	0.30	0.34	0.38
	NC	—	15	18	19	22	25	27	29	31	33	35
	Throw, T	1-1-3	1-2-4	1-2-5	1.5-2.5-5	2-3-6	2-4-6.5	2-4.5-7	3-5-7	3-5-8	4-6-8.5	5-7-9
60" x 24" or 1500 mm x 600 mm	Total Pressure, Pt	0.06	0.07	0.09	0.11	0.13	0.15	0.17	0.20	0.22	0.25	0.28
	Static Pressure, Ps	0.05	0.06	0.08	0.10	0.11	0.13	0.15	0.18	0.20	0.23	0.26
	NC	—	—	17	19	22	24	27	29	31	33	35
	Throw, T	1-1-3	1-2-4	1-2-5	1.5-2.5-5	2-3-6	2-4-6.5	2-4.5-7	3-5-7	3-5-8	4-6-8.5	5-7-9

12" (305 mm) dia. Inlet

Module Size	Airflow, CFM	230	260	290	315	345	375	400	430	460	490	520
48" x 24" or 1200 mm x 600 mm	Total Pressure, Pt	0.16	0.20	0.25	0.29	0.35	0.42	0.48	0.55	0.63	0.71	0.80
	Static Pressure, Ps	0.15	0.19	0.24	0.28	0.34	0.40	0.46	0.53	0.61	0.69	0.78
	NC	15	18	20	22	23	25	26	28	30	32	33
	Throw, T	1-2-6	1.5-3-6.5	2-4-7	3-5-8	4-5.5-8	4.5-6-8.5	5-7-9.5	5.5-7.5-10	6-8-11	6.5-8.5-11.5	7-9-12
60" x 24" or 1500 mm x 600 mm	Total Pressure, Pt	0.10	0.13	0.16	0.19	0.23	0.27	0.31	0.36	0.41	0.47	0.53
	Static Pressure, Ps	0.10	0.12	0.16	0.18	0.22	0.26	0.30	0.34	0.39	0.44	0.50
	NC	15	18	20	22	23	25	26	28	30	32	33
	Throw, T	1-2-6	2-3-6	2-4-7	3-5-8	4-5.5-7.5	4.5-6-8.5	5-6.5-9	5.5-7.5-9.5	6-8-10.5	6-8.5-11	6.5-8.5-11.5

CFM - cubic feet per minute

FPM - feet per minute velocity

Pt - total pressure - inches w.g.

Ps - static pressure - inches w.g.

T - throw in feet

NC - Noise Criteria (values) based on 10 dB room absorption, re 10<sup>-12</sup> watts.

### Performance Notes:

1. Throws are the average vertical distance in feet to terminal velocities of 100, 75 and 50 fpm. Based upon a cooling ΔT of 10°F. 9 ft. ceiling.

2. Performance data is for diffusers with clean filters. Filters may be operated up to a final resistance of 2" w.g. (500 Pa).

3:\* Maximum airflow shown is based on 150 fpm (0.76 m/s) velocity per square foot of filter face area. Exceeding these airflows may result in reduced filter efficiencies. Refer to the engineering section for more details.

4. Data derived from tests conducted in accordance with ANSI/ASHRAE Standard 70 – 2006.

## Performance Data

### Model 92LFDF-AL, 92LFDF-SS

With HEPA Filter • 99.99% Minimum Removal Efficiency on 0.30 Micrometer Particle Size

Metric Units

8" (203 mm) dia. Inlet

Module Size	Airflow, L/S	47	57	66	76	85	94	104	113	123	132	137
1219 mm x 305 mm* or 1200 mm x 300 mm	Total Pressure, Pt	42	60	82	107	137	169	204	244	283	331	353
	Static Pressure, Ps	40	60	80	104	132	164	196	234	276	318	343
	NC	—	17	19	22	25	27	29	31	34	35	37
	Throw, T	0.2-0.3-0.6	0.2-0.3-0.9	0.3-0.5-1.2	0.5-0.6-1.2	0.5-0.8-1.5	0.6-1.1-1.5	0.8-1.2-1.8	0.9-1.4-2.1	0.9-1.4-2.3	1.2-1.7-2.4	1.4-1.8-2.7
1524 mm x 305 mm or 1500 mm x 300 mm	Total Pressure, Pt	27	40	55	70	89	109	134	159	186	216	231
	Static Pressure, Ps	27	37	52	67	84	104	127	152	177	206	221
	NC	—	16	18	21	24	25	28	30	33	34	36
	Throw, T	0.2-0.3-0.6	0.3-0.3-0.9	0.3-0.5-1.2	0.3-0.6-1.2	0.3-0.8-1.4	0.6-1.1-1.5	0.6-1.2-1.7	0.9-1.2-2.0	0.9-1.5-2.1	1.2-1.5-2.4	1.2-1.8-2.6

Module Size	Airflow, L/S	47	57	66	76	85	94	104	113	123	132	139
610 mm x 610 mm* or 600 mm x 600 mm	Total Pressure, Pt	42	60	80	104	134	164	199	236	278	323	358
	Static Pressure, Ps	40	57	77	102	129	159	191	229	268	311	346
	NC	—	17	19	22	25	27	29	31	34	35	37
	Throw, T	0.2-0.3-0.6	0.2-0.3-0.9	0.3-0.5-1.2	0.5-0.6-1.2	0.5-0.8-1.5	0.6-1.1-1.8	0.8-1.2-1.8	0.9-1.4-2.1	0.9-1.4-2.3	1.2-1.7-2.4	1.4-1.8-2.7
914 mm x 610 mm or 900 mm x 600 mm	Total Pressure, Pt	17	25	35	45	57	72	87	102	119	139	154
	Static Pressure, Ps	17	25	32	40	52	64	80	94	112	129	144
	NC	—	15	18	21	24	26	28	30	33	34	36
	Throw, T	0-0.3-0.5	0-0.3-0.6	0-0.3-0.9	0.3-0.6-1.1	0.3-0.6-1.4	0.6-0.9-1.5	0.6-0.9-1.7	0.6-1.1-1.8	0.8-1.4-2.1	0.9-1.5-2.4	0.9-1.5-2.4
1219 mm x 610 mm or 1200 mm x 600 mm	Total Pressure, Pt	12	17	22	30	37	45	55	67	77	89	99
	Static Pressure, Ps	10	15	20	25	32	40	50	60	70	80	89
	NC	—	—	17	20	23	25	27	30	32	33	35
	Throw, T	0-0.2-0.5	0.2-0.3-0.6	0.2-0.3-0.8	0.3-0.5-0.9	0.3-0.6-1.2	0.3-0.6-1.5	0.5-0.8-1.5	0.6-0.9-1.8	0.6-1.2-2.0	0.6-1.4-2.1	0.9-1.5-2.1

10" (254 mm) dia. Inlet

Module Size	Airflow, L/S	76	85	94	104	113	123	132	142	151	160	170
914 mm x 610 mm or 900 mm x 600 mm	Total Pressure, Pt	35	45	55	67	80	92	107	124	139	159	177
	Static Pressure, Ps	35	42	52	65	75	89	102	119	134	152	172
	NC	15	18	20	21	23	26	28	30	32	34	36
	Throw, T	0.3-0.6-1.1	0.3-0.6-1.4	0.6-0.9-1.5	0.6-0.9-1.7	0.6-1.1-1.8	0.8-1.2-2.1	0.9-1.5-2.4	0.9-1.5-2.4	1.2-1.7-2.6	1.2-1.8-2.7	1.5-2.1-2.9
1219 mm x 610 mm or 1200 mm x 600 mm	Total Pressure, Pt	20	25	32	37	45	52	62	70	80	92	102
	Static Pressure, Ps	20	25	30	35	42	50	57	67	75	85	94
	NC	—	15	18	19	22	25	27	29	31	33	35
	Throw, T	0.3-0.3-0.9	0.3-0.6-1.2	0.3-0.6-1.5	0.5-0.8-1.5	0.6-0.9-1.8	0.6-1.2-2.0	0.6-1.4-2.1	0.9-1.5-2.1	0.9-1.5-2.4	1.2-1.8-2.6	1.5-2.1-2.7
1524 mm x 610 mm or 1500 mm x 600 mm	Total Pressure, Pt	15	17	22	27	32	37	42	50	55	62	70
	Static Pressure, Ps	12	15	20	25	27	32	37	45	50	57	65
	NC	—	—	17	19	22	24	27	29	31	33	35
	Throw, T	0.3-0.3-0.9	0.3-0.6-1.2	0.3-0.6-1.5	0.5-0.8-1.5	0.6-0.9-1.8	0.6-1.2-2.0	0.6-1.4-2.1	0.9-1.5-2.1	0.9-1.5-2.4	1.2-1.8-2.6	1.5-2.1-2.7

12" (305 mm) dia. Inlet

Module Size	Airflow, L/S	109	123	137	149	163	177	189	203	217	231	245
1219 mm x 610 mm or 1200 mm x 600 mm	Total Pressure, Pt	40	50	62	72	87	104	119	137	157	177	199
	Static Pressure, Ps	37	47	60	70	85	99	114	132	152	172	194
	NC	15	18	20	22	23	25	26	28	30	32	33
	Throw, T	0.3-0.6-1.8	0.5-0.9-2.0	0.6-1.2-2.1	0.9-1.5-2.4	1.2-1.7-2.4	1.4-1.8-2.6	1.5-2.1-2.9	1.7-2.3-3.0	1.8-2.4-3.4	2.0-2.6-3.5	2.1-2.7-3.7
1524 mm x 610 mm or 1500 mm x 600 mm	Total Pressure, Pt	25	32	40	47	57	67	77	89	102	117	132
	Static Pressure, Ps	25	30	40	45	55	65	75	85	97	109	124
	NC	15	18	20	22	23	25	26	28	30	32	33
	Throw, T	0.3-0.6-1.8	0.6-0.9-1.8	0.6-1.2-2.1	0.9-1.5-2.4	1.2-1.7-2.3	1.4-1.8-2.6	1.5-2.0-2.7	1.7-2.3-2.9	1.8-2.4-3.2	1.8-2.6-3.4	2.0-2.6-3.5

L/S - litres per second

M/S - meters per second velocity

Pt - total pressure - Pa

Ps - static pressure - Pa

T - throw in meters

NC - Noise Criteria (values) based on 10 dB room absorption, re 10<sup>-12</sup> watts.

### Performance Notes:

- Throws are the average vertical distance in meters to terminal velocities of 0.51, 0.38 and 0.25 m/s. Based upon a cooling ΔT of 5.5°C. 2.7 m ceiling.
- Performance data is for diffusers with clean filters. Filters may be operated up to a final resistance of 2" w.g. (500 Pa).

3\* Maximum airflow shown is based on 150 fpm (0.76 m/s) velocity per square foot of filter face area. Exceeding these airflows may result in reduced filter efficiencies. Refer to the engineering section for more details.

4. Data derived from tests conducted in accordance with ANSI/ASHRAE Standard 70 – 2006.



## Performance Data

Model 92LFDF-AL, 92LFDF-SS

With ULPA Filter • 99.9995% Minimum Removal Efficiency on 0.12 Micrometer Particle Size

Imperial Units

8" (203 mm) dia. Inlet

Module Size	Airflow, CFM	100	120	140	160	180	200	220	240	260	280	290
48" x 12" * or 1200 mm x 300 mm	Total Pressure, Pt	0.20	0.29	0.39	0.51	0.65	0.80	0.96	1.15	1.35	1.56	1.68
	Static Pressure, Ps	0.19	0.28	0.38	0.50	0.63	0.78	0.94	1.12	1.31	1.52	1.63
	NC	—	17	19	22	25	27	29	31	34	35	37
	Throw, T	.5-1-2	.5-1-3	1-1.5-4	1.5-2-4	1.5-2.5-5	2-3.5-5	2.5-4-6	3-4.5-7	3-4.5-7.5	4-5.5-8	4.5-6-9
60" x 12" or 1500 mm x 300 mm	Total Pressure, Pt	0.13	0.18	0.25	0.33	0.42	0.51	0.62	0.74	0.87	1.01	1.08
	Static Pressure, Ps	0.12	0.18	0.24	0.31	0.40	0.49	0.60	0.71	0.83	0.96	1.03
	NC	—	16	18	21	24	25	28	30	33	34	36
	Throw, T	.5-1-2	1-1-3	1-1.5-4	1-2-4	1-2.5-4.5	2-3.5-5	2-4-5.5	3-4-6.5	3-5-7	4-5-8	4-6-8.5

Module Size	Airflow, CFM	100	120	140	160	180	200	220	240	260	280	295
24" x 24" * or 600 mm x 600 mm	Total Pressure, Pt	0.19	0.28	0.38	0.50	0.63	0.78	0.94	1.12	1.31	1.52	1.69
	Static Pressure, Ps	0.19	0.27	0.37	0.48	0.61	0.75	0.91	1.09	1.28	1.48	1.64
	NC	—	17	19	22	25	27	29	31	34	35	37
	Throw, T	.5-1-2	.5-1-3	1-1.5-4	1.5-2-4	1.5-2.5-5	2-3.5-6	2.5-4-6	3-4.5-7	3-4.5-7.5	4-5.5-8	4.5-6-9
36" x 24" or 900 mm x 600 mm	Total Pressure, Pt	0.08	0.12	0.16	0.21	0.26	0.32	0.39	0.47	0.55	0.64	0.71
	Static Pressure, Ps	0.08	0.11	0.15	0.19	0.25	0.30	0.37	0.44	0.51	0.59	0.66
	NC	—	15	18	21	24	26	28	30	33	34	36
	Throw, T	0-1-1.5	0-1-2	0-1-3	1-2-3.5	1-2-4.5	2-3-5	2-3-5.5	2-3-5-6	2.5-4.5-7	3-5-8	3-5-8
48" x 24" or 1200 mm x 600 mm	Total Pressure, Pt	0.05	0.07	0.10	0.13	0.17	0.20	0.25	0.29	0.34	0.40	0.44
	Static Pressure, Ps	0.05	0.07	0.09	0.12	0.15	0.18	0.22	0.26	0.31	0.36	0.40
	NC	—	—	17	20	23	25	27	30	32	33	35
	Throw, T	0-5-1.5	.5-1-2	.5-1-2.5	1-1.5-3	1-2-4	1-2-5	1.5-2.5-5	2-3-6	2-4-6.5	2-4.5-7	3-5-7

10" (254 mm) dia. Inlet

Module Size	Airflow, CFM	160	180	200	220	240	260	280	300	320	340	360
36" x 24" or 900 mm x 600 mm	Total Pressure, Pt	0.17	0.21	0.26	0.31	0.37	0.44	0.51	0.58	0.66	0.75	0.84
	Static Pressure, Ps	0.16	0.20	0.25	0.30	0.36	0.42	0.49	0.56	0.64	0.72	0.81
	NC	15	18	20	21	23	26	28	30	32	34	36
	Throw, T	1-2-3.5	1-2-4.5	2-3-5	2-3-5.5	2-3.5-6	2.5-4-7	3-5-8	3-5-8	4-5.5-8.5	4-6-9	5-7-9.5
48" x 24" or 1200 mm x 600 mm	Total Pressure, Pt	0.09	0.12	0.15	0.18	0.21	0.25	0.29	0.33	0.37	0.42	0.47
	Static Pressure, Ps	0.09	0.11	0.14	0.17	0.20	0.23	0.27	0.31	0.35	0.40	0.44
	NC	—	15	18	19	22	25	27	29	31	33	35
	Throw, T	1-1-3	1-2-4	1-2-5	1.5-2.5-5	2-3-6	2-4-6.5	2-4.5-7	3-5-7	3-5-8	4-6-8.5	5-7-9
60" x 24" or 1500 mm x 600 mm	Total Pressure, Pt	0.06	0.08	0.10	0.12	0.14	0.17	0.19	0.22	0.25	0.29	0.32
	Static Pressure, Ps	0.06	0.07	0.09	0.11	0.13	0.15	0.18	0.20	0.23	0.26	0.29
	NC	—	—	17	19	22	24	27	29	31	33	35
	Throw, T	1-1-3	1-2-4	1-2-5	1.5-2.5-5	2-3-6	2-4-6.5	2-4.5-7	3-5-7	3-5-8	4-6-8.5	5-7-9

12" (305 mm) dia. Inlet

Module Size	Airflow, CFM	230	260	290	315	345	375	400	430	460	490	520
48" x 24" or 1200 mm x 600 mm	Total Pressure, Pt	0.18	0.23	0.29	0.34	0.41	0.49	0.55	0.64	0.73	0.83	0.93
	Static Pressure, Ps	0.18	0.23	0.28	0.33	0.40	0.47	0.54	0.62	0.71	0.80	0.91
	NC	15	18	20	22	23	25	26	28	30	32	33
	Throw, T	1-2-6	1.5-3-6.5	2-4-7	3-5-8	4-5.5-8	4.5-6-8.5	5-7-9.5	5.5-7.5-10	6-8-11	6.5-8.5-11.5	7-9-12
60" x 24" or 1500 mm x 600 mm	Total Pressure, Pt	0.12	0.15	0.19	0.22	0.27	0.32	0.36	0.41	0.47	0.54	0.61
	Static Pressure, Ps	0.11	0.14	0.18	0.21	0.25	0.30	0.34	0.39	0.45	0.51	0.58
	NC	15	18	20	22	23	25	26	28	30	32	33
	Throw, T	1-2-6	2-3-6	2-4-7	3-5-8	4-5.5-7.5	4.5-6-8.5	5-6-9.5	5.5-7.5-9.5	6-8-10.5	6-8.5-11	6.5-8.5-11.5

CFM - cubic feet per minute

FPM - feet per minute velocity

Pt - total pressure - inches w.g.

Ps - static pressure - inches w.g.

T - throw in feet

NC - Noise Criteria (values) based on 10 dB room absorption, re 10<sup>-12</sup> watts.

### Performance Notes:

1. Throws are the average vertical distance in feet to terminal velocities of 100, 75 and 50 fpm. Based upon a cooling ΔT of 10°F. 9 ft. ceiling.

2. Performance data is for diffusers with clean filters. Filters may be operated up to a final resistance of 2" w.g. (500 Pa).

3.\* Maximum airflow shown is based on 150 fpm (0.76 m/s) velocity per square foot of filter face area. Exceeding these airflows may result in reduced filter efficiencies. Refer to the engineering section for more details.

4. Data derived from tests conducted in accordance with ANSI/ASHRAE Standard 70 – 2006.

HOSPITAL / CLEANROOM DIFFUSERS

## Performance Data

Model 92LFDF-AL, 92LFDF-SS

With ULPA Filter • 99.9995% Minimum Removal Efficiency on 0.12 Micrometer Particle Size

Metric Units

8" (203 mm) dia. Inlet

Module Size	Airflow, L/S	47	57	66	76	85	94	104	113	123	132	137
1219 mm x 305 mm* or 1200 mm x 300 mm	Total Pressure, Pt	50	72	97	127	162	199	239	286	336	388	418
	Static Pressure, Ps	47	70	94	124	157	194	234	278	326	378	405
	NC	—	17	19	22	25	27	29	31	34	35	37
	Throw, T	0.2-0.3-0.6	0.2-0.3-0.9	0.3-0.5-1.2	0.5-0.6-1.2	0.5-0.8-1.5	0.6-1.1-1.5	0.8-1.2-1.8	0.9-1.4-2.1	0.9-1.4-2.3	1.2-1.7-2.4	1.4-1.8-2.7
1524 mm x 305 mm or 1500 mm x 300 mm	Total Pressure, Pt	32	45	62	82	104	127	154	184	216	251	268
	Static Pressure, Ps	30	45	60	77	99	122	149	177	206	239	256
	NC	—	16	18	21	24	25	28	30	33	34	36
	Throw, T	0.2-0.3-0.6	0.3-0.3-0.9	0.3-0.5-1.2	0.3-0.6-1.2	0.3-0.8-1.4	0.6-1.1-1.5	0.6-1.2-1.7	0.9-1.2-2.0	0.9-1.5-2.1	1.2-1.5-2.4	1.2-1.8-2.6

Module Size	Airflow, L/S	47	57	66	76	85	94	104	113	123	132	139
610 mm x 610 mm* or 600 mm x 600 mm	Total Pressure, Pt	47	70	94	124	157	194	234	278	326	378	420
	Static Pressure, Ps	47	67	92	119	152	186	226	271	318	368	408
	NC	—	17	19	22	25	27	29	31	34	35	37
	Throw, T	0.2-0.3-0.6	0.2-0.3-0.9	0.3-0.5-1.2	0.5-0.6-1.2	0.5-0.8-1.5	0.6-1.1-1.8	0.8-1.2-1.8	0.9-1.4-2.1	0.9-1.4-2.3	1.2-1.7-2.4	1.4-1.8-2.7
914 mm x 610 mm or 900 mm x 600 mm	Total Pressure, Pt	20	30	40	52	65	80	97	117	137	159	177
	Static Pressure, Ps	20	27	37	47	62	75	92	109	127	147	164
	NC	—	15	18	21	24	26	28	30	33	34	36
	Throw, T	0-0.3-0.5	0-0.3-0.6	0-0.3-0.9	0.3-0.6-1.1	0.3-0.6-1.4	0.6-0.9-1.5	0.6-0.9-1.7	0.6-1.1-1.8	0.8-1.4-2.1	0.9-1.5-2.4	0.9-1.5-2.4
1219 mm x 610 mm or 1200 mm x 600 mm	Total Pressure, Pt	12	17	25	32	42	50	62	72	85	99	109
	Static Pressure, Ps	12	17	22	30	37	45	55	65	77	89	99
	NC	—	—	17	20	23	25	27	30	32	33	35
	Throw, T	0-0.2-0.5	0.2-0.3-0.6	0.2-0.3-0.8	0.3-0.5-0.9	0.3-0.6-1.2	0.3-0.6-1.5	0.5-0.8-1.5	0.6-0.9-1.8	0.6-1.2-2.0	0.6-1.4-2.1	0.9-1.5-2.1

10" (254 mm) dia. Inlet

Module Size	Airflow, L/S	76	85	94	104	113	123	132	142	151	160	170
914 mm x 610 mm or 900 mm x 600 mm	Total Pressure, Pt	42	52	65	77	92	109	127	144	164	186	209
	Static Pressure, Ps	40	50	62	75	89	104	122	139	159	179	201
	NC	15	18	20	21	23	26	28	30	32	34	36
	Throw, T	0.3-0.6-1.1	0.3-0.6-1.4	0.6-0.9-1.5	0.6-0.9-1.7	0.6-1.1-1.8	0.8-1.2-2.1	0.9-1.5-2.4	0.9-1.5-2.4	1.2-1.7-2.6	1.2-1.8-2.7	1.5-2.1-2.9
1219 mm x 610 mm or 1200 mm x 600 mm	Total Pressure, Pt	22	30	37	45	52	62	72	82	92	104	117
	Static Pressure, Ps	22	27	35	42	50	57	67	77	87	99	109
	NC	—	15	18	19	22	25	27	29	31	33	35
	Throw, T	0.3-0.3-0.9	0.3-0.6-1.2	0.3-0.6-1.5	0.5-0.8-1.5	0.6-0.9-1.8	0.6-1.2-2.0	0.6-1.4-2.1	0.9-1.5-2.1	0.9-1.5-2.4	1.2-1.8-2.6	1.5-2.1-2.7
1524 mm x 610 mm or 1500 mm x 600 mm	Total Pressure, Pt	15	20	25	30	35	42	47	55	62	72	80
	Static Pressure, Ps	15	17	22	27	32	37	45	50	57	65	72
	NC	—	—	17	19	22	24	27	29	31	33	35
	Throw, T	0.3-0.3-0.9	0.3-0.6-1.2	0.3-0.6-1.5	0.5-0.8-1.5	0.6-0.9-1.8	0.6-1.2-2.0	0.6-1.4-2.1	0.9-1.5-2.1	0.9-1.5-2.4	1.2-1.8-2.6	1.5-2.1-2.7

12" (305 mm) dia. Inlet

Module Size	Airflow, L/S	109	123	137	149	163	177	189	203	217	231	245
1219 mm x 610 mm or 1200 mm x 600 mm	Total Pressure, Pt	45	57	72	85	102	122	137	159	181	206	231
	Static Pressure, Ps	45	57	70	82	99	117	134	154	177	199	226
	NC	15	18	20	22	23	25	26	28	30	32	33
	Throw, T	0.3-0.6-1.8	0.5-0.9-2.0	0.6-1.2-2.1	0.9-1.5-2.4	1.2-1.7-2.4	1.4-1.8-2.6	1.5-2.1-2.9	1.7-2.3-3.0	1.8-2.4-3.4	2.0-2.6-3.5	2.1-2.7-3.7
1524 mm x 610 mm or 1500 mm x 600 mm	Total Pressure, Pt	30	37	47	55	67	80	89	102	117	134	152
	Static Pressure, Ps	27	35	45	52	62	75	85	97	112	127	144
	NC	15	18	20	22	23	25	26	28	30	32	33
	Throw, T	0.3-0.6-1.8	0.6-0.9-1.8	0.6-1.2-2.1	0.9-1.5-2.4	1.2-1.7-2.3	1.4-1.8-2.6	1.5-2.0-2.7	1.7-2.3-2.9	1.8-2.4-3.2	1.8-2.6-3.4	2.0-2.6-3.5

L/S - litres per second

M/S - meters per second velocity

Pt - total pressure - Pa

Ps - static pressure - Pa

T - throw in meters

NC - Noise Criteria (values) based on 10 dB room absorption, re 10<sup>-12</sup> watts.

### Performance Notes:

- Throws are the average vertical distance in meters to terminal velocities of 0.51, 0.38 and 0.25 m/s. Based upon a cooling ΔT of 5.5°C. 2.7 m ceiling.
- Performance data is for diffusers with clean filters. Filters may be operated up to a final resistance of 2" w.g. (500 Pa).

3\* Maximum airflow shown is based on 150 fpm (0.76 m/s) velocity per square foot of filter face area. Exceeding these airflows may result in reduced filter efficiencies. Refer to the engineering section for more details.

4. Data derived from tests conducted in accordance with ANSI/ASHRAE Standard 70 – 2006.

## STERI-SYSTEM LINEAR SLOT DIFFUSERS

- OPERATING ROOM AIR CURTAIN
- SINGLE SLOT
- REMOVABLE FACE
- STAINLESS STEEL

### Model:

**92LS-SS**     **Stainless Steel**

- Suffix '-O' adds a stainless steel opposed blade damper



Model 92LS-SS

The **Nailor 92LS-SS Series Steri-System Linear Slot Diffusers** are specially designed to provide an air curtain for operating rooms. The **92LS-SS Series** unique slot design creates a continuous curtain of air, angled outwards 5 – 15°, that encloses the operating area and minimizes the possibility of contaminated air entering the surgical area. The single slot design creates a uniform low velocity curtain that minimizes entrainment of contaminated air into the curtain air stream. It also creates a wider velocity profile with less turbulence and hence less induction over similar two slot designs. The face design incorporates longitudinal deflectors that horizontally deflect a small amount of air lengthwise. This effectively joins the airflow through sections and corners forming a truly continuous air curtain, resulting in enhanced isolation of the surgical area.

### FEATURES:

- The entire slot assembly including the pressure plate is removable for cleaning and is secured by 1/4 turn stainless steel fasteners.
- Safety cables are included as standard and prevent accidental dropping of the removable face.
- Perforated pressure plate has 3/32" (2.4) dia. holes on 60°, 1/4" (6) staggered centers (13% free area).

- Standard unit designed for both lay-in T-Bar ceiling systems and surface mount applications.
- Integral earthquake hanger tabs are standard.
- Flanged inlets for simple duct connection.
- Plenums have rounded corners for easier cleaning.
- An optional stainless steel, face operated, removable, opposed blade damper is available.

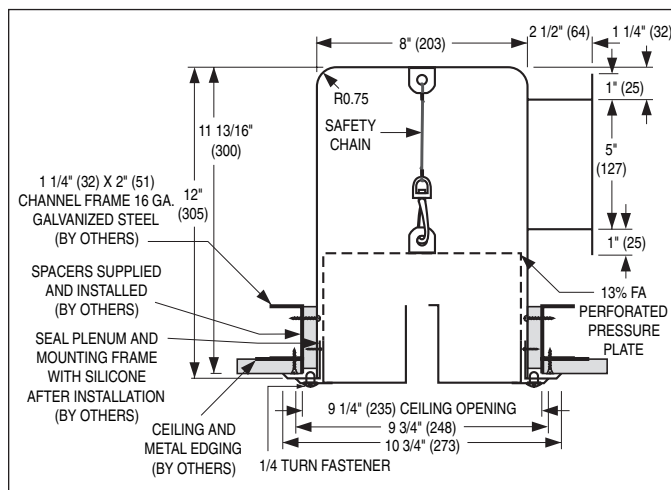
**Material:** Type 304 Stainless Steel construction.

**Finish:** #3 Satin Polished finish is standard. Other finishes are available.

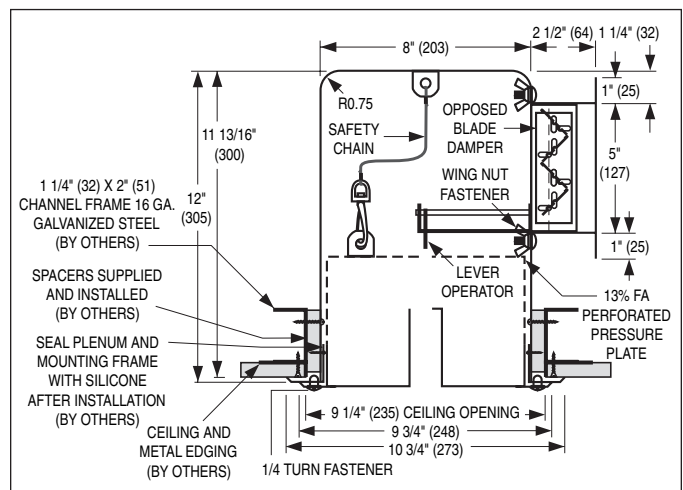
### Options:

- 316 Stainless Steel construction.
- AW Appliance White finish.
- Opposed Blade Dampers.

**Model 92LS-SS**  
Operating Room Plenum Detail

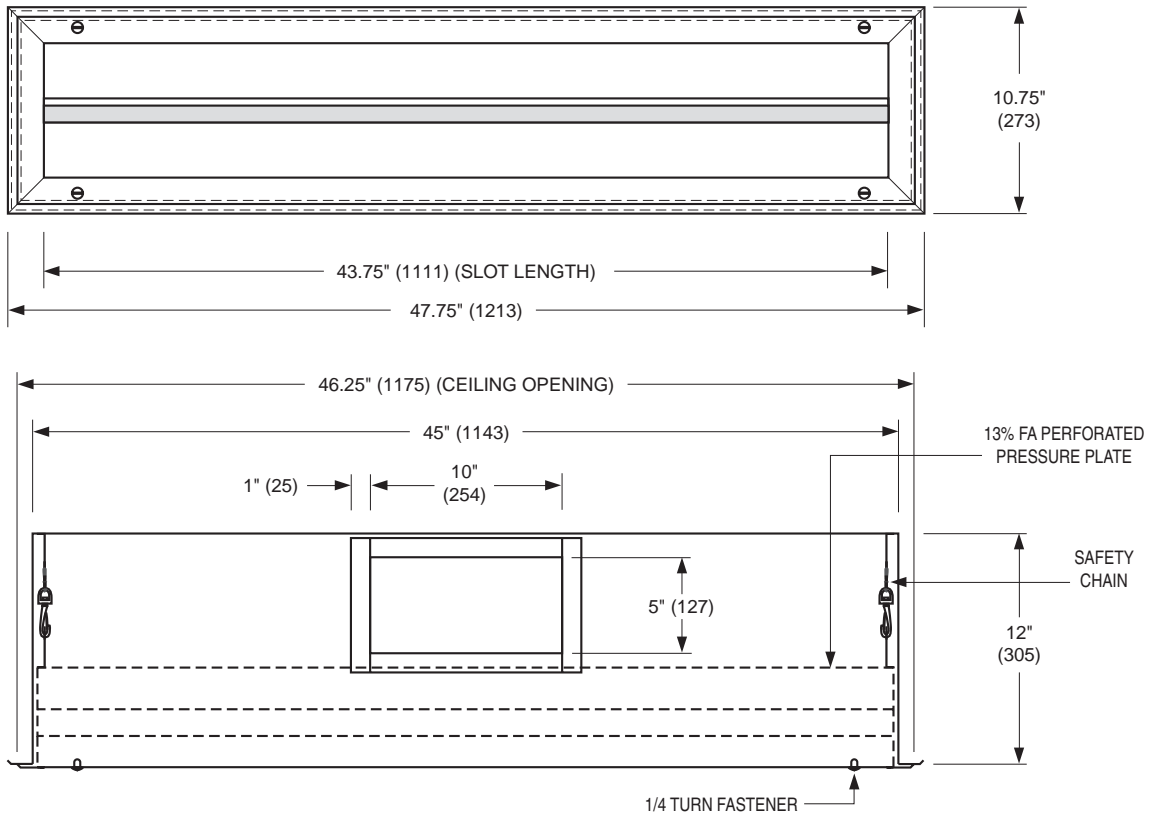


**Model 92LS-SS-O (with O.B.D.)**  
Operating Room Plenum Detail

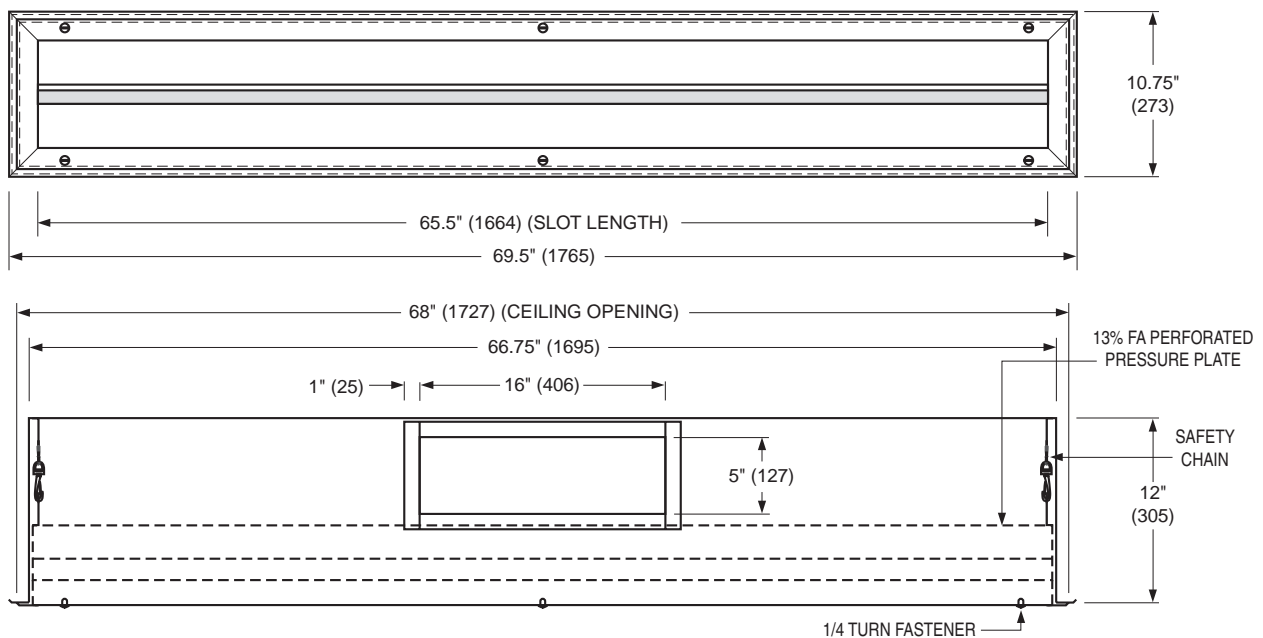


## Dimensional Data

### Model 92LS-SS (4 ft. (1219) Module)

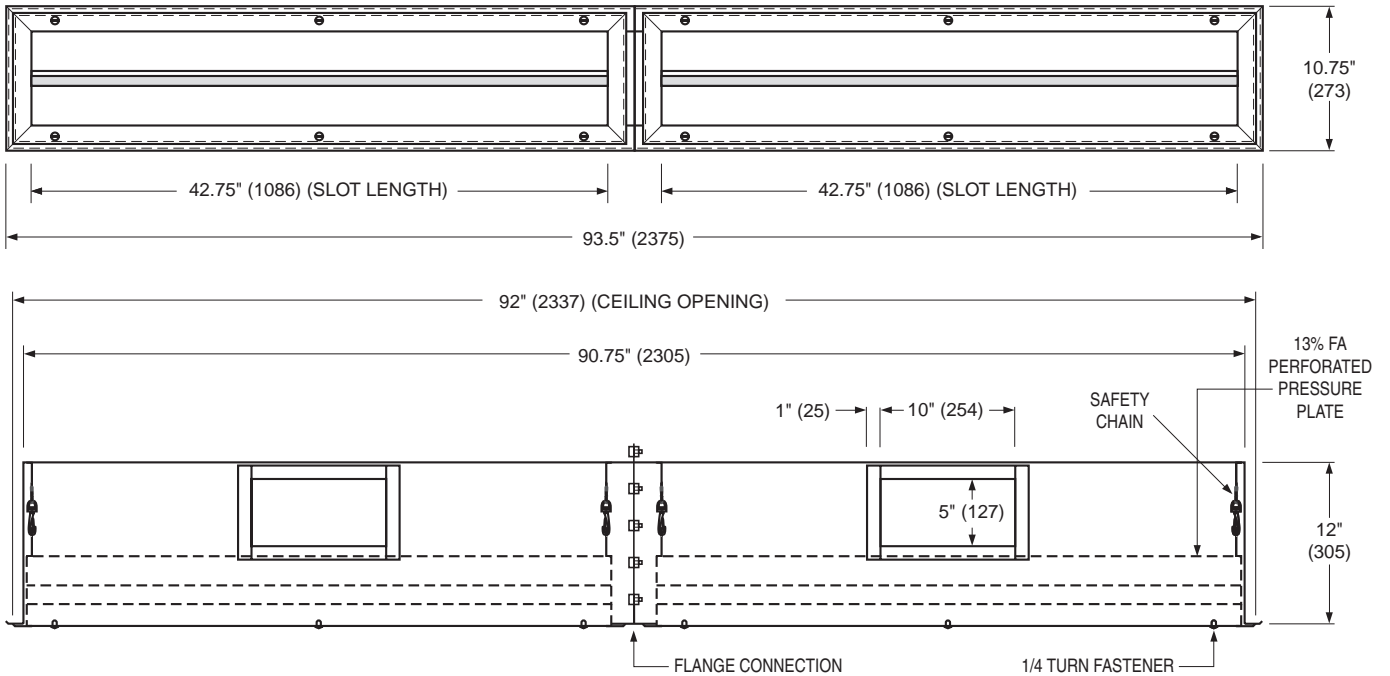


### Model 92LS-SS (6 ft. (1829) Module)

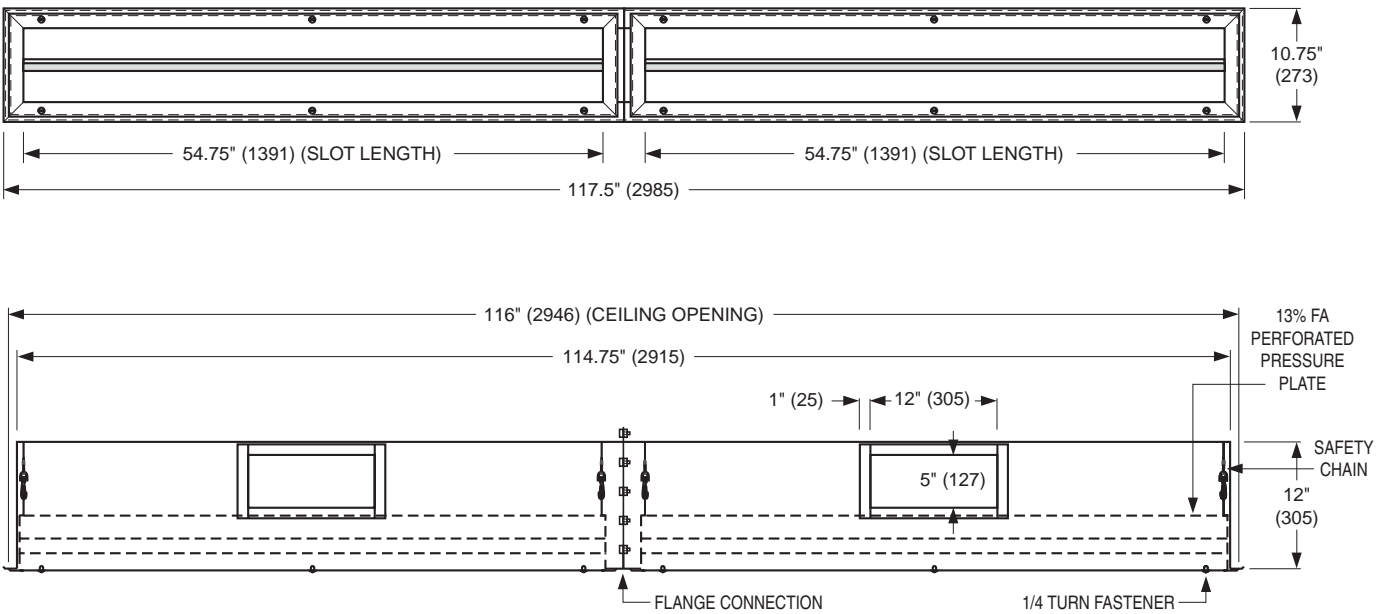


## Dimensional Data

### Model 92LS-SS (8 ft. (2438) Module)



### Model 92LS-SS (10 ft. (3048) Module)

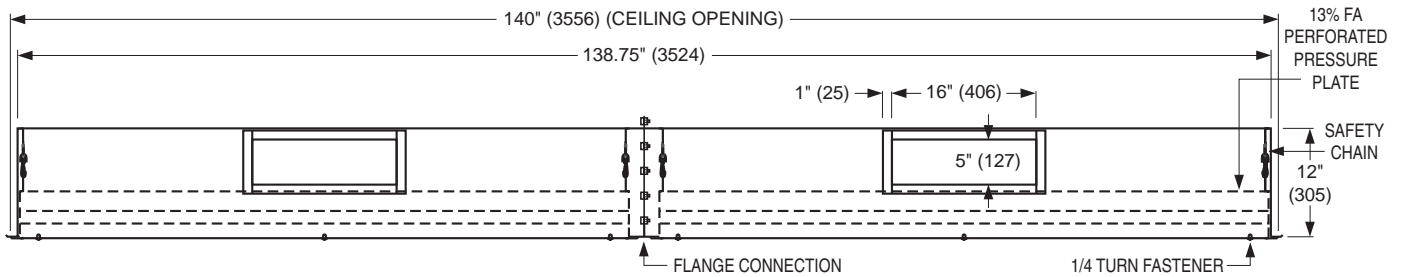
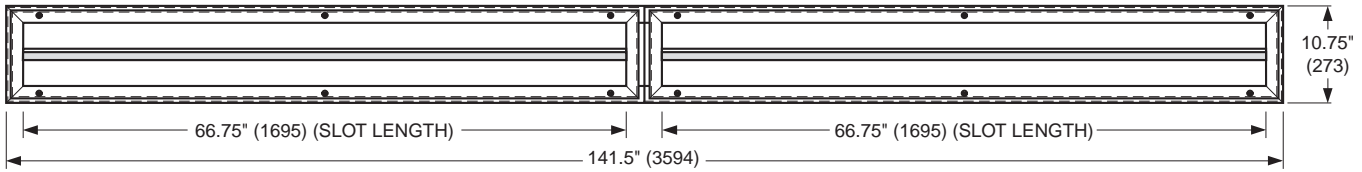


E

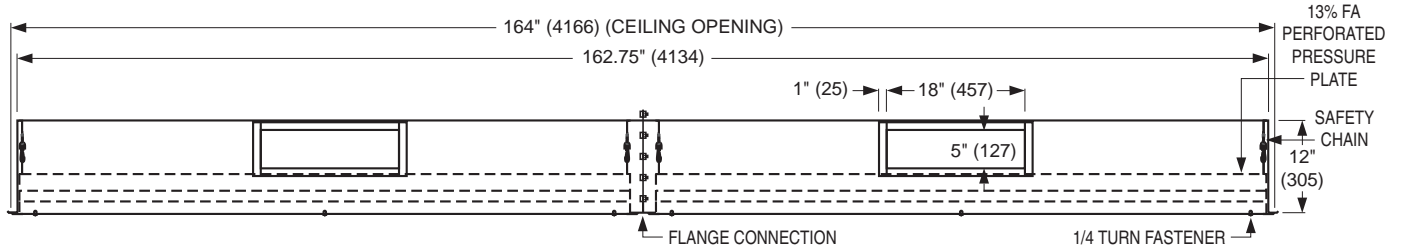
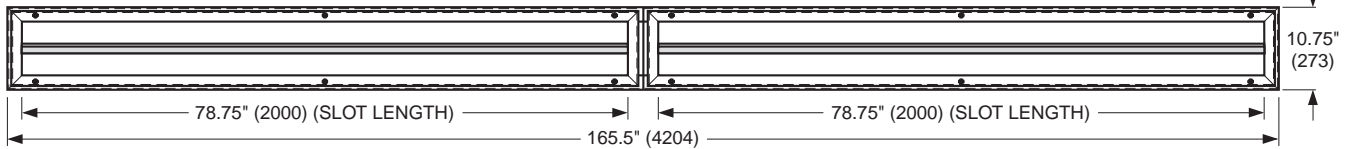
HOSPITAL / CLEANROOM DIFFUSERS

## Dimensional Data

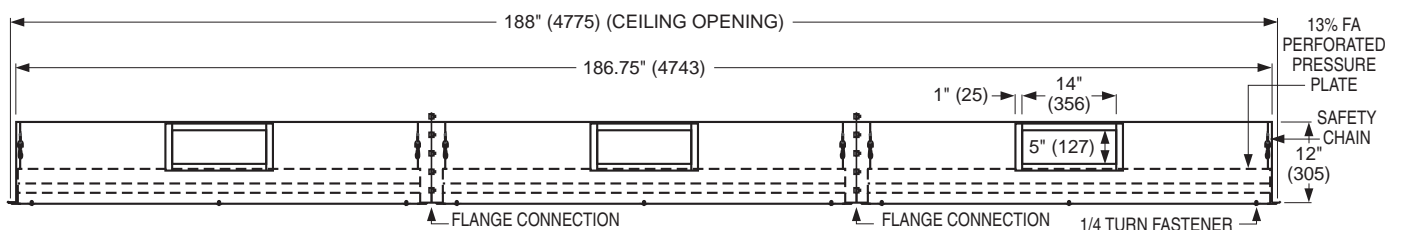
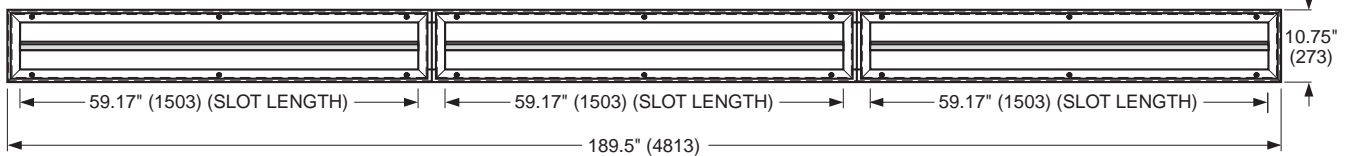
### Model 92LS-SS (12 ft. (3658) Module)



### Model 92LS-SS (14 ft. (4267) Module)



### Model 92LS-SS (16 ft. (4677) Module)



## HOW TO SPECIFY OR TO ORDER

(Show complete Model Number and Size, unless "Default" is desired).

### Stainless Steel Steri-System Linear Slot Diffuser – Model Series 92LS-SS

		<b>92LS-SS - 12 x 5 - 10 - S - #3 - —</b>			
<b>MODEL</b>	_____			<b>OPTIONS</b>	
- 304 Stainless Steel	92LS-SS			- None (default)	—
- 304 Stainless Steel w/O.B.D.	92LS-SS-O			- 316 Stainless Steel Construction	316
<b>INLET(S) SIZE (inches) (mm)</b>	_____			<b>FINISH</b>	
- 10 x 5 (254 x 127)	- 1 Inlet 4 ft. (1219) Module			- #3 Satin Polished (default)	#3
- 16 x 5 (406 x 127)	- 1 Inlet 6 ft. (1829) Module			- Appliance White	AW
- 10 x 5 (254 x 127)	- 2 Inlets 8 ft. (2438) Module			- Special Custom Color	SP
- 12 x 5 (305 x 127)	- 2 Inlets 10 ft. (3048) Module			<b>FRAME TYPE</b>	
- 16 x 5 (406 x 127)	- 2 Inlets 12 ft. (3658) Module			- Lay-in T-Bar	L
- 18 x 5 (457 x 127)	- 2 Inlets 14 ft. (4267) Module			- Surface Mount	S
- 14 x 5 (356 x 127)	- 3 Inlets 16 ft. (4677) Module				
<b>CEILING MODULE LENGTH (ft.) (mm)</b>	_____				
- 4 ft. (1219)					
- 6 ft. (1829)					
- 8 ft. (2438)					
- 10 ft. (3048)					
- 12 ft. (3658)					
- 14 ft. (4267)					
- 16 ft. (4677)					

HOSPITAL / CLEANROOM DIFFUSERS

**SUGGESTED SPECIFICATION:**

Furnish and install **Nailor Model 92LS-SS Steri-System Linear Slot Diffusers** of the size and type shown on the plans and air distribution schedules. The diffusers shall be constructed entirely from 304 stainless steel (316 optional), minimum 24 gauge. The diffuser shall incorporate a non-adjustable single slot designed to create a vertical air curtain angled outwards 5 – 15°. The diffuser shall incorporate a pressure plate behind the slot to ensure uniform slot velocity. The pressure plate shall be 13% free area with 3/32" (2.4) dia. holes on 1/4" (6) staggered centers. The slot and pressure plate shall be attached with 1/4 turn fasteners to allow for complete removal and access to the interior for cleaning. The plenum shall incorporate radiused corners lengthwise to facilitate cleaning. Flanged plenum inlets are to be maximum 5" (127) in height to allow duct clearance over standard light fixtures. Plenums over 7 ft. (2134) in length shall be supplied in multiple sections with flange connections and stainless steel fasteners for field assembly. All diffusers are to include safety cables to prevent accidental dropping of the removable face. Integral earthquake hanger tabs shall be included with all units. All exposed surfaces shall have a #3 satin polished finish (optional finishes are available).

(Optional) An opposed blade damper, adjustable from the face of the diffuser, shall be provided with all units. Dampers shall be held in place with wing nut fasteners and be removable from the face of the diffuser.

The manufacturer shall provide published performance data for the diffuser, which shall be tested in accordance with ANSI/ASHRAE Standard 70 – 2006.

## Performance Data

### Models 92LS-SS

### Imperial Units

Nominal Module Length (ft)	Slot Length (ft)	Airflow (cfm/ft)	25	30	35	40	45
4	3.646	Airflow (cfm)	<b>91</b>	<b>109</b>	<b>128</b>	<b>146</b>	<b>164</b>
		NC	–	–	–	–	–
		TP	0.029	0.042	0.057	0.074	0.094
		VP	0.004	0.006	0.008	0.011	0.014
		T	1-1-3	1-1-4	1-2-4	1-2-5	1-2-5
6	5.458	Airflow (cfm)	<b>136</b>	<b>164</b>	<b>191</b>	<b>218</b>	<b>246</b>
		NC	–	–	–	–	15
		TP	0.025	0.037	0.050	0.065	0.082
		VP	0.004	0.005	0.007	0.010	0.012
		T	1-1-4	1-2-4	1-2-5	1-2-5	1-2-5
8	7.125	Airflow (cfm)	<b>178</b>	<b>214</b>	<b>249</b>	<b>285</b>	<b>321</b>
		NC	–	–	–	–	16
		TP	0.028	0.040	0.054	0.071	0.090
		VP	0.004	0.006	0.008	0.011	0.013
		T	1-1-4	1-2-5	1-2-6	1-2-6	1-3-6
10	9.125	Airflow (cfm)	<b>228</b>	<b>274</b>	<b>319</b>	<b>365</b>	<b>411</b>
		NC	–	–	–	–	17
		TP	0.031	0.045	0.062	0.081	0.102
		VP	0.005	0.007	0.009	0.012	0.015
		T	1-1-5	1-2-5	1-2-6	1-3-6	1-3-7
12	11.125	Airflow (cfm)	<b>278</b>	<b>334</b>	<b>389</b>	<b>445</b>	<b>501</b>
		NC	–	–	–	15	18
		TP	0.026	0.038	0.052	0.067	0.085
		VP	0.004	0.006	0.008	0.010	0.013
		T	1-2-5	1-2-6	1-3-7	1-3-7	2-3-7
14	13.125	Airflow (cfm)	<b>328</b>	<b>394</b>	<b>459</b>	<b>525</b>	<b>591</b>
		NC	–	–	–	16	19
		TP	0.029	0.042	0.057	0.074	0.094
		VP	0.004	0.006	0.008	0.011	0.014
		T	1-2-5	1-2-6	1-3-7	1-3-7	2-3-7
16	14.792	Airflow (cfm)	<b>370</b>	<b>444</b>	<b>518</b>	<b>592</b>	<b>666</b>
		NC	–	–	–	17	19
		TP	0.027	0.039	0.053	0.069	0.088
		VP	0.004	0.006	0.008	0.010	0.013
		T	1-2-5	1-2-6	1-3-7	1-3-7	2-3-7

**CFM** - cubic feet per minute

**TP** - total pressure - inches w.g.

**VP** - velocity pressure - inches w.g.

**T** - throw in feet

**NC** - Noise Criteria (values) based on 10 dB room absorption, re 10<sup>-12</sup> watts.

#### Performance Notes:

1. Data derived from tests conducted in accordance with ANSI/ASHRAE Standard 70 – 2006.
2. Noise Criteria (NC) values based on 10 dB room absorption re 10<sup>-12</sup> watts with dampers fully open.
3. Dash (–) in space indicates an NC level of less than 15.
4. Throws are given at 150, 100 and 50 fpm terminal velocities under isothermal conditions.

#### Airflow Measurements

1. Take velocity readings at a number of locations along the length of the slot.
2. Total the various readings and divide by the number of readings taken to arrive at an average slot discharge velocity (Vk in FPM).
3. Calculate the airflow (CFM/ft) by multiplying the average velocity by the Ak factor per foot which is 0.078.

$$\text{Airflow (CFM/ft)} = \text{Average Slot Velocity (Vk)} \times \text{Ak}$$

4. Calculate the total airflow (CFM) by multiplying by the actual slot length (ft) shown above.

$$\text{Airflow (CFM)} = \text{Airflow (CFM/ft)} \times \text{Slot Length (ft)}$$



## Performance Data

### Models 92LS-SS

#### Metric Units

Nominal Module Length (mm)	Slot Length (m)	Airflow (l/s per m)	38.7	46.4	54.2	61.9	69.7
1219	1.11	Airflow (l/s)	43	51	60	69	77
		NC	–	–	–	–	–
		TP	7	10	14	18	23
		VP	1.0	1.5	2.0	2.7	3.5
		T	0.3-0.3-0.9	0.3-0.3-1.2	0.3-0.6-1.2	0.3-0.6-1.5	0.3-0.6-1.5
1829	1.66	Airflow (l/s)	64	77	90	103	116
		NC	–	–	–	–	15
		TP	6	9	12	16	20
		VP	1.0	1.2	1.7	2.5	3.0
		T	0.3-0.3-1.2	0.3-0.6-1.2	0.3-0.6-1.5	0.3-0.6-1.5	0.3-0.6-1.5
2438	2.17	Airflow (l/s)	84	101	118	134	151
		NC	–	–	–	–	16
		TP	7	10	13	18	22
		VP	1.0	1.5	2.0	2.7	3.2
		T	0.3-0.3-1.2	0.3-0.6-1.5	0.3-0.6-1.8	0.3-0.6-1.8	0.3-0.9-1.8
3048	2.78	Airflow (l/s)	108	129	151	172	194
		NC	–	–	–	–	17
		TP	8	11	15	20	25
		VP	1.2	1.7	2.2	3.0	3.7
		T	0.3-0.3-1.5	0.3-0.6-1.5	0.3-0.6-1.8	0.3-0.9-1.8	0.3-0.9-2.1
3658	3.39	Airflow (l/s)	131	158	184	210	236
		NC	–	–	–	15	18
		TP	6	9	13	17	21
		VP	1.0	1.5	2.0	2.5	3.2
		T	0.3-0.6-1.5	0.3-0.6-1.8	0.3-0.9-2.1	0.3-0.9-2.1	0.6-0.9-2.1
4267	4.00	Airflow (l/s)	155	186	217	248	279
		NC	–	–	–	16	19
		TP	7	10	14	18	23
		VP	1.0	1.5	2.0	2.7	3.5
		T	0.3-0.6-1.5	0.3-0.6-1.8	0.3-0.9-2.1	0.3-0.9-2.1	0.6-0.9-2.1
4677	4.51	Airflow (l/s)	175	209	244	279	314
		NC	–	–	–	17	19
		TP	7	10	13	17	22
		VP	1.0	1.5	2.0	2.5	3.2
		T	0.3-0.6-1.5	0.3-0.6-1.8	0.3-0.9-2.1	0.3-0.9-2.1	0.6-0.9-2.1

**L/S** - litres per second

**TP** - total pressure - Pa

**VP** - velocity pressure - Pa

**T** - throw in meters

**NC** - Noise Criteria (values) based on 10 dB room absorption, re 10<sup>-12</sup> watts.

#### Performance Notes:

1. Data derived from tests conducted in accordance with ANSI/ASHRAE Standard 70 – 2006.
2. Noise Criteria (NC) values based on 10 dB room absorption re 10<sup>-12</sup> watts with dampers fully open.
3. Dash (–) in space indicates an NC level of less than 15.
4. Throws are given at 0.76, 0.51 and 0.25 m/s terminal velocities under isothermal conditions.

#### Airflow Measurements

1. Take velocity readings at a number of locations along the length of the slot.
2. Total the various readings and divide by the number of readings taken to arrive at an average slot discharge velocity (Vk in m/s).
3. Calculate the airflow (l/s per m) by multiplying the average velocity by the Ak factor per meter which is 23.8.  
Airflow (l/s per m) = Average Slot Velocity (Vk) x Ak.
4. Calculate the total airflow (l/s) by multiplying by the actual slot length (m) shown above.  
Airflow (l/s) = Airflow (l/s per m) x Slot Length (m).

## STERI-SYSTEM

- HOSPITAL OPERATING ROOM AIR SYSTEM
- STAINLESS STEEL CONSTRUCTION

### Models:

**92STSYS    Stainless Steel**

- Suffix '-O' adds perimeter inlet balancing dampers



Model 92STSYS

E

HOSPITAL / CLEANROOM DIFFUSERS

The **Nailor Steri-System** is a complete operating room ventilation system specially designed to reduce airborne contaminants, and thus, the risk of patient infection during surgery. By using directed airflow, a protective 'clean zone' is created around the patient. The system consists of two main components.

**Model 92LS-SS Linear Slot Diffusers**, located around the perimeter, create a continuous curtain of air angled outwards 5 – 15°. The curtain encloses the operating area and minimizes the possibility of contaminated air entering the surgical area. The single slot design creates a uniform low velocity curtain that minimizes entrainment of contaminated air into the curtain air stream. It also creates a wider velocity profile with less turbulence and hence less induction over similar two slot designs. The face design incorporates longitudinal deflectors that horizontally deflect a small amount of air lengthwise. This effectively joins the airflow through sections and corners forming a truly continuous air curtain, resulting in enhanced isolation of the surgical area.

**Model 92LFD-SS Laminar Flow Diffusers**, installed above the operating table, produce a low velocity, non-aspirating, vertical air pattern. This 'clean' conditioned air flows over the operating table protecting the patient while greatly increasing the ventilation rate within the surgical area. The unique design incorporates a second pressure plate as an integral assembly to ensure true laminar airflow.

The Steri-System is available in fourteen standard module sizes with a wide variety of custom variations that allow it to be tailored to suit almost any application or configuration.

### FEATURES:

- All face plates and assemblies are removable for cleaning and are secured by 1/4 turn stainless steel fasteners.
- Safety cables are included as standard and prevent accidental dropping of the removable faces.
- Standard units are designed for both lay-in T-Bar ceiling systems and surface mount applications.

- Integral earthquake hanger tabs are standard.
- Laminar flow diffusers have integral dampers adjustable from the face of the diffuser.

### Material:

Type 304 Stainless Steel construction.

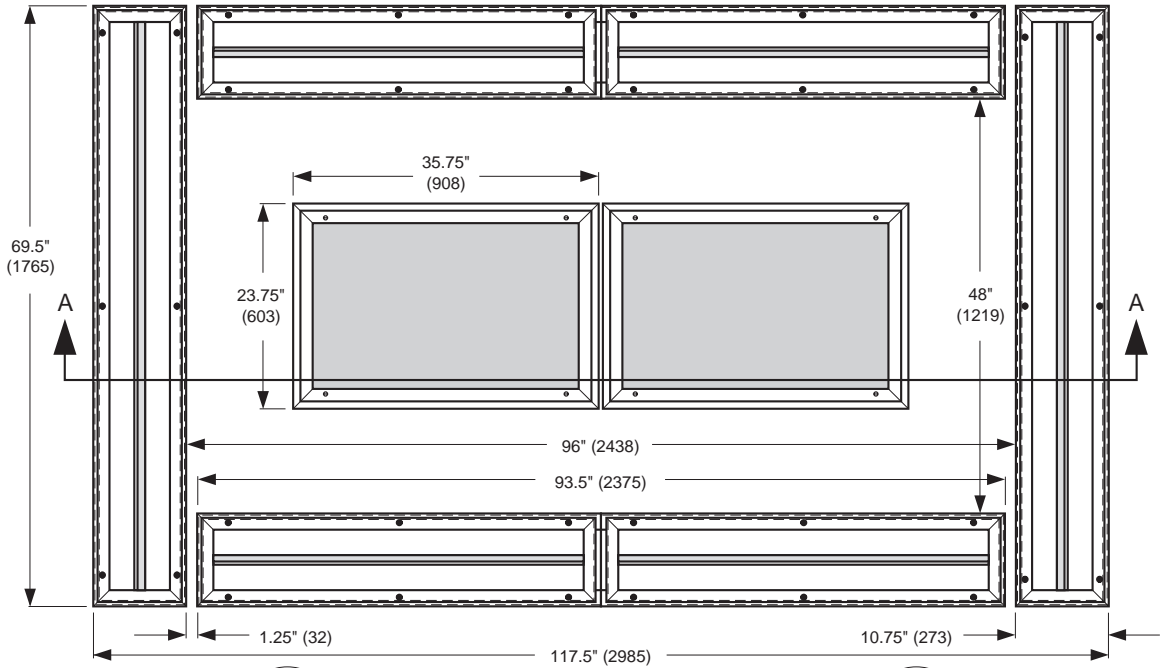
**Finish:** #3 Satin Polished finish is standard. Other finishes are available.

### Options:

- Perimeter Inlet Balancing Dampers (Face operated and removable).
- 316 Stainless Steel construction.

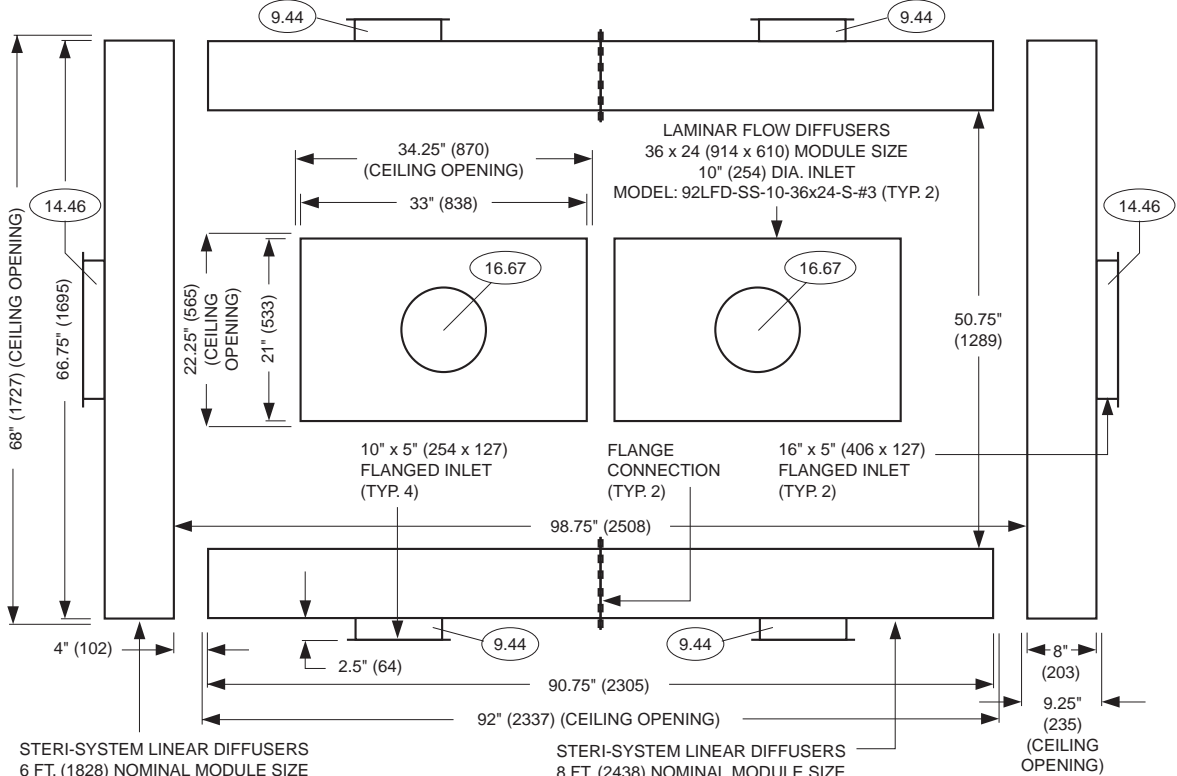
## Dimensional Data • Steri-System 8 x 4 Module • Model: 92STSYS – 8 x 4

Reflected Ceiling View

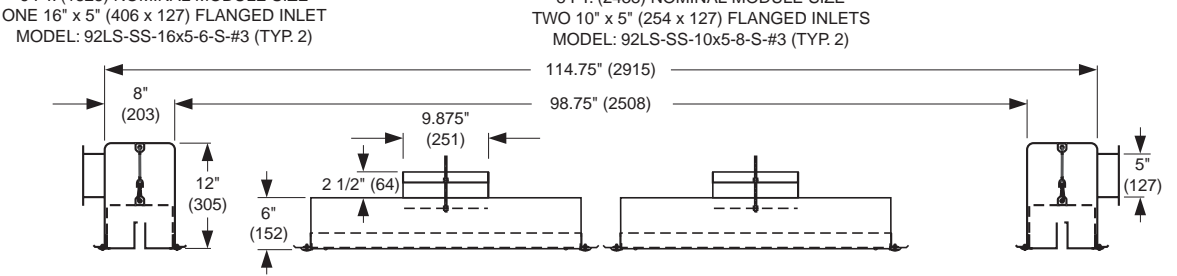


Plenum Top View

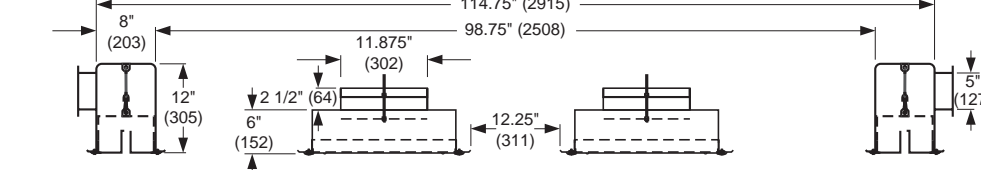
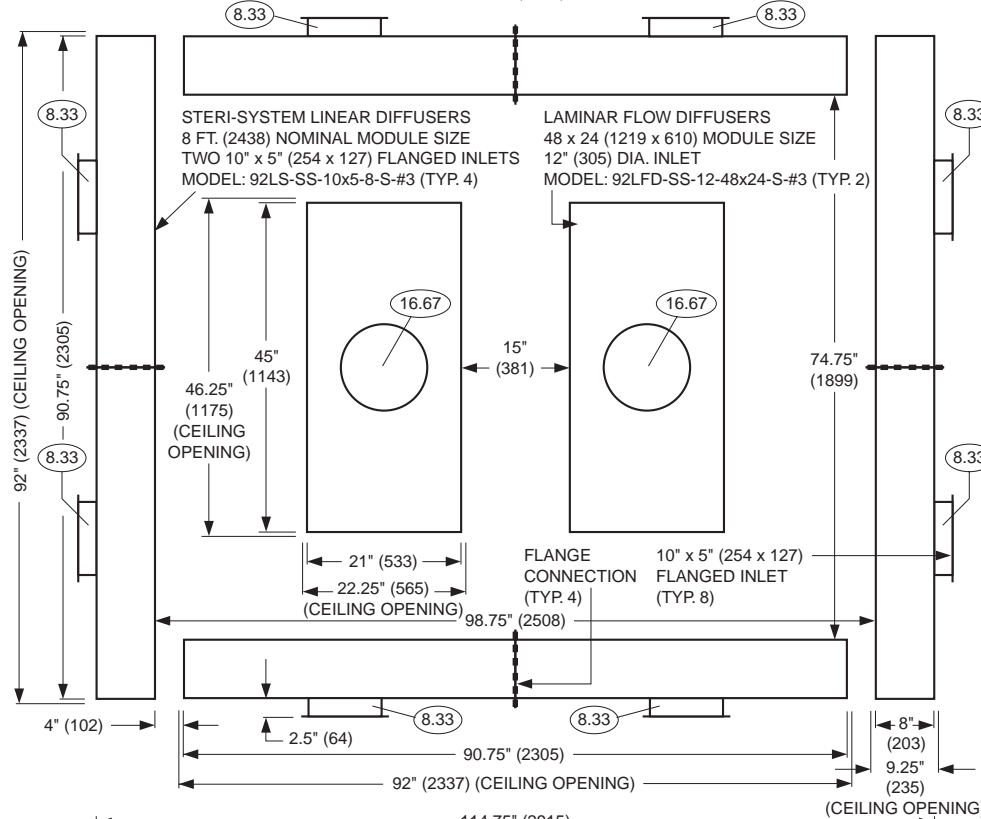
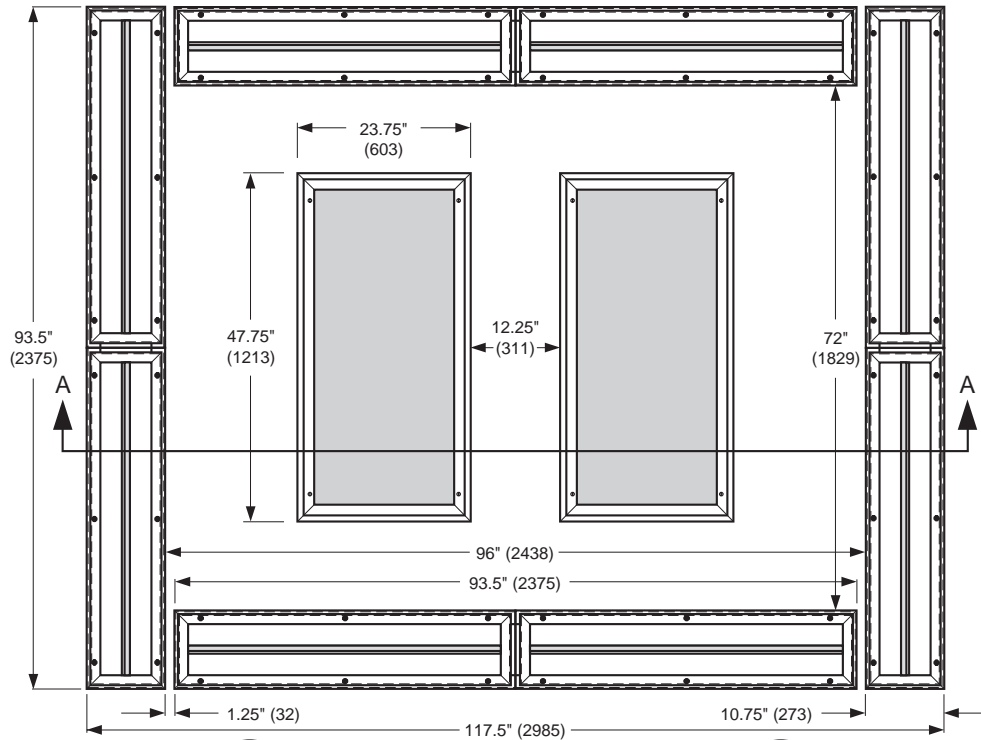
# = RECOMMENDED PERCENTAGE OF TOTAL SYSTEM AIRFLOW SUPPLIED THROUGH IDENTIFIED INLET.



Section Detail A – A



## Dimensional Data • Steri-System 8 x 6 Module • Model: 92STSYS – 8 x 6

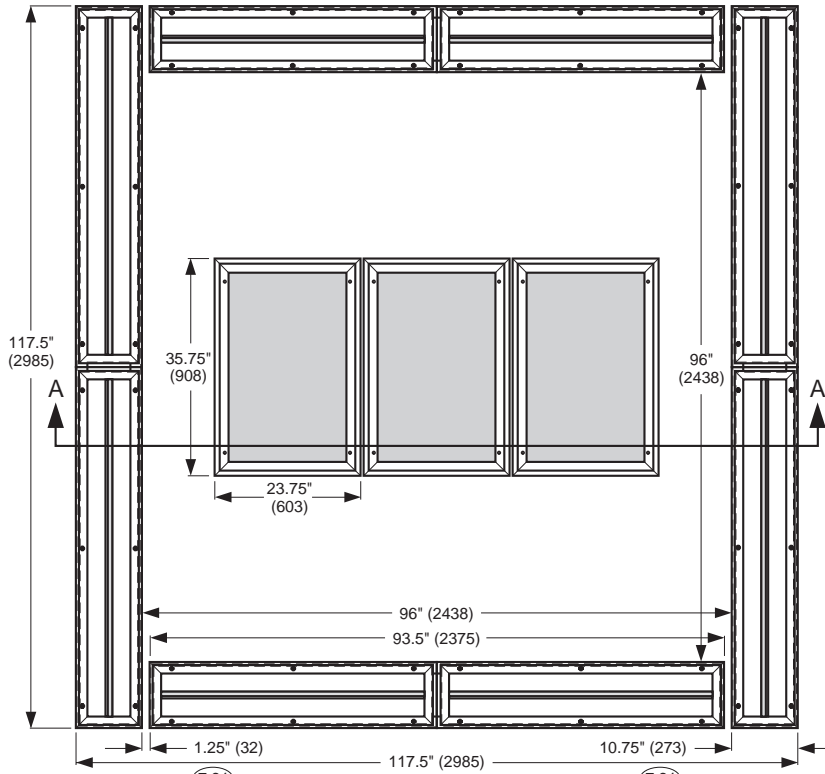


# = RECOMMENDED PERCENTAGE OF TOTAL SYSTEM AIRFLOW SUPPLIED THROUGH IDENTIFIED INLET.

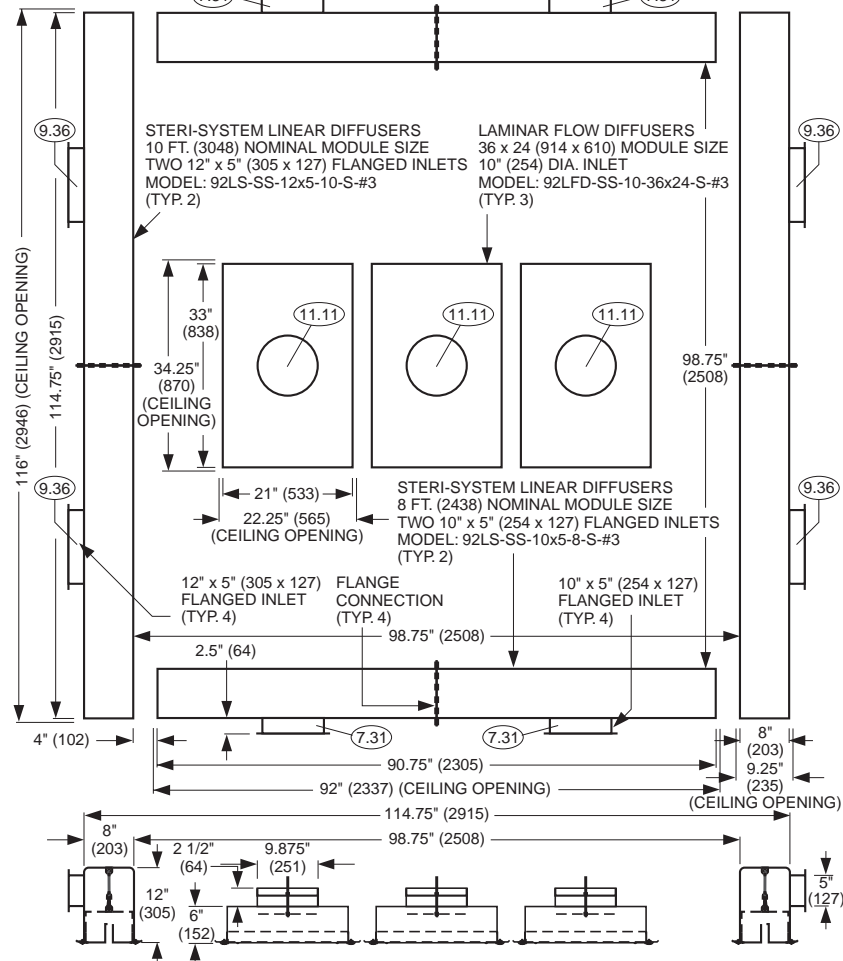
**HOSPITAL / CLEANROOM DIFFUSERS**  
**Reflected Ceiling View**  
**Plenum Top View**  
**Section Detail A - A**

## Dimensional Data • Steri-System 8 x 8 Module • Model: 92STSYS – 8 x 8

Reflected Ceiling View



Plenum Top View



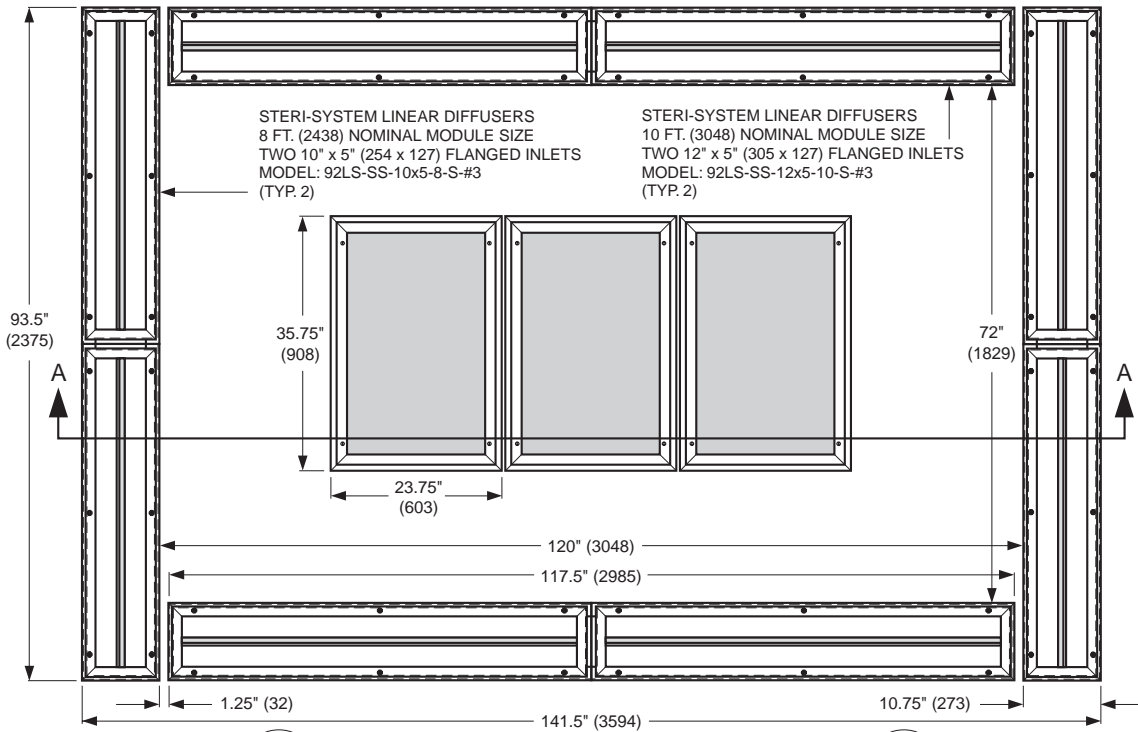
Section Detail A – A

E

HOSPITAL/CLEANROOM DIFFUSERS

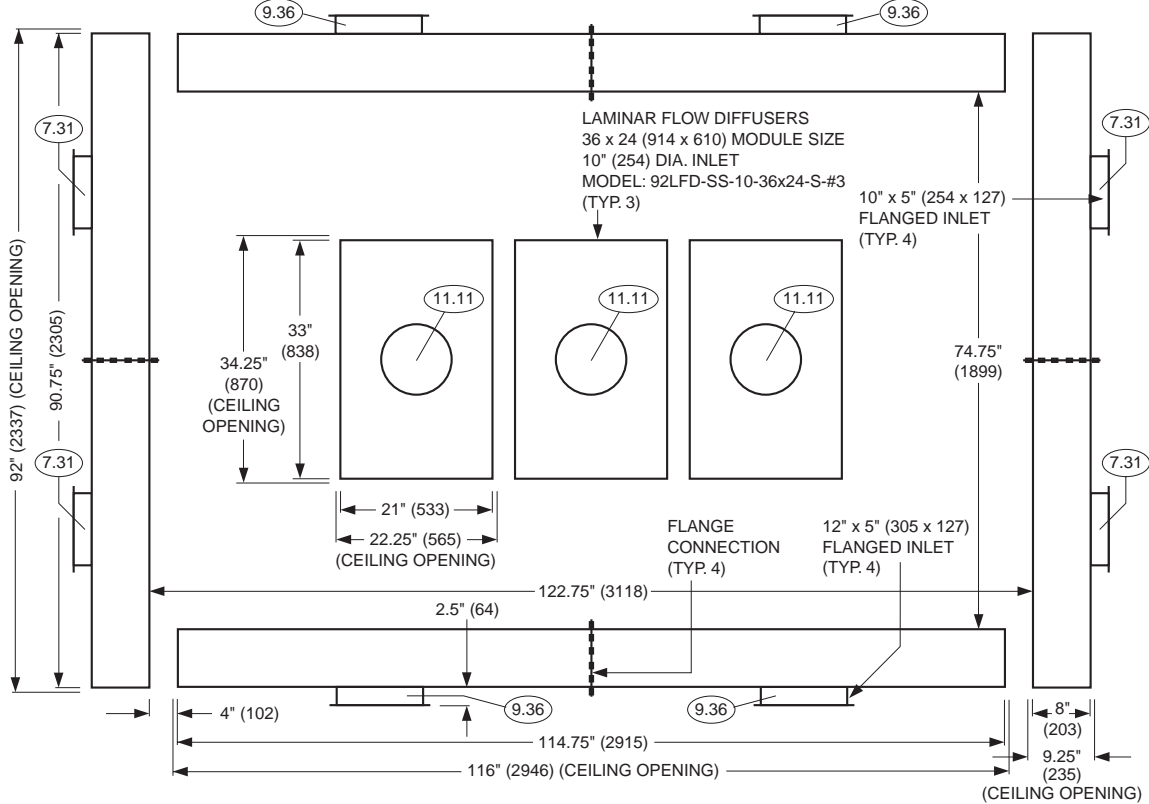
## Dimensional Data • Steri-System 10 x 6 Module • Model: 92STSYS – 10 x 6

Reflected Ceiling View

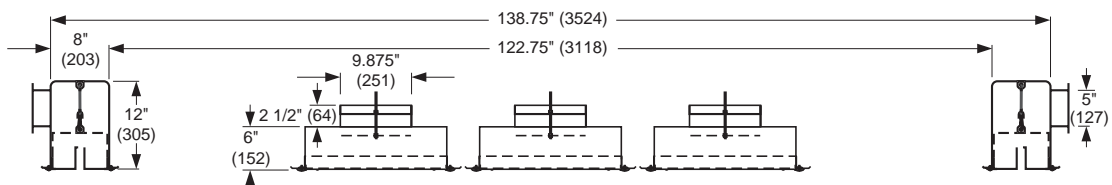


Plenum Top View

# = RECOMMENDED PERCENTAGE OF TOTAL SYSTEM AIRFLOW SUPPLIED THROUGH IDENTIFIED INLET.

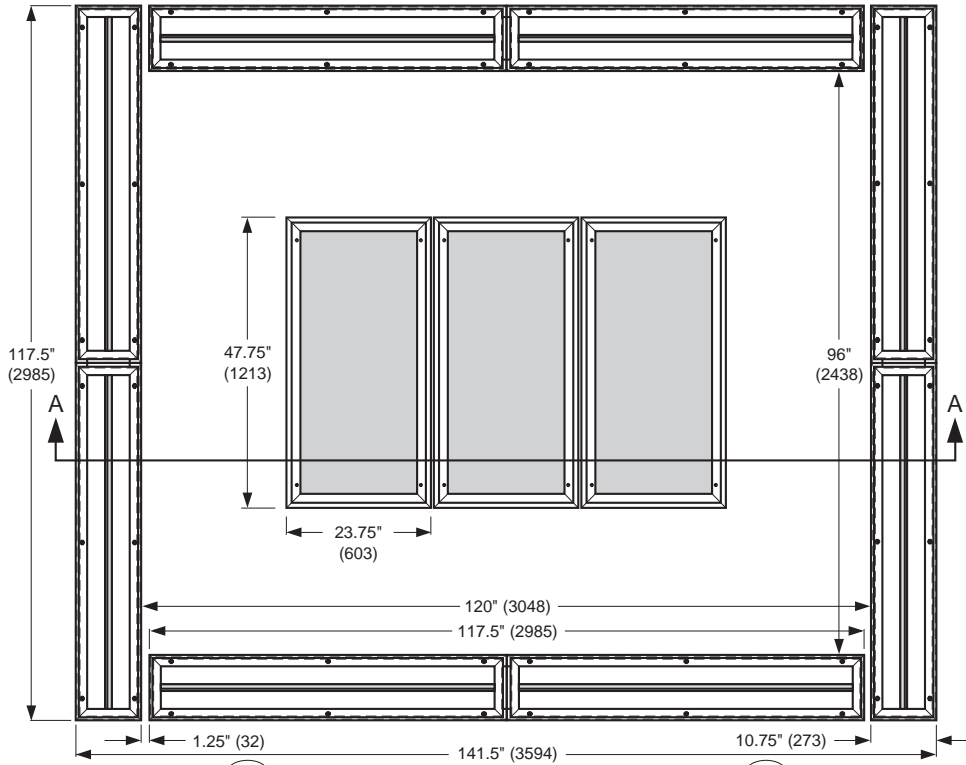


Section Detail A – A



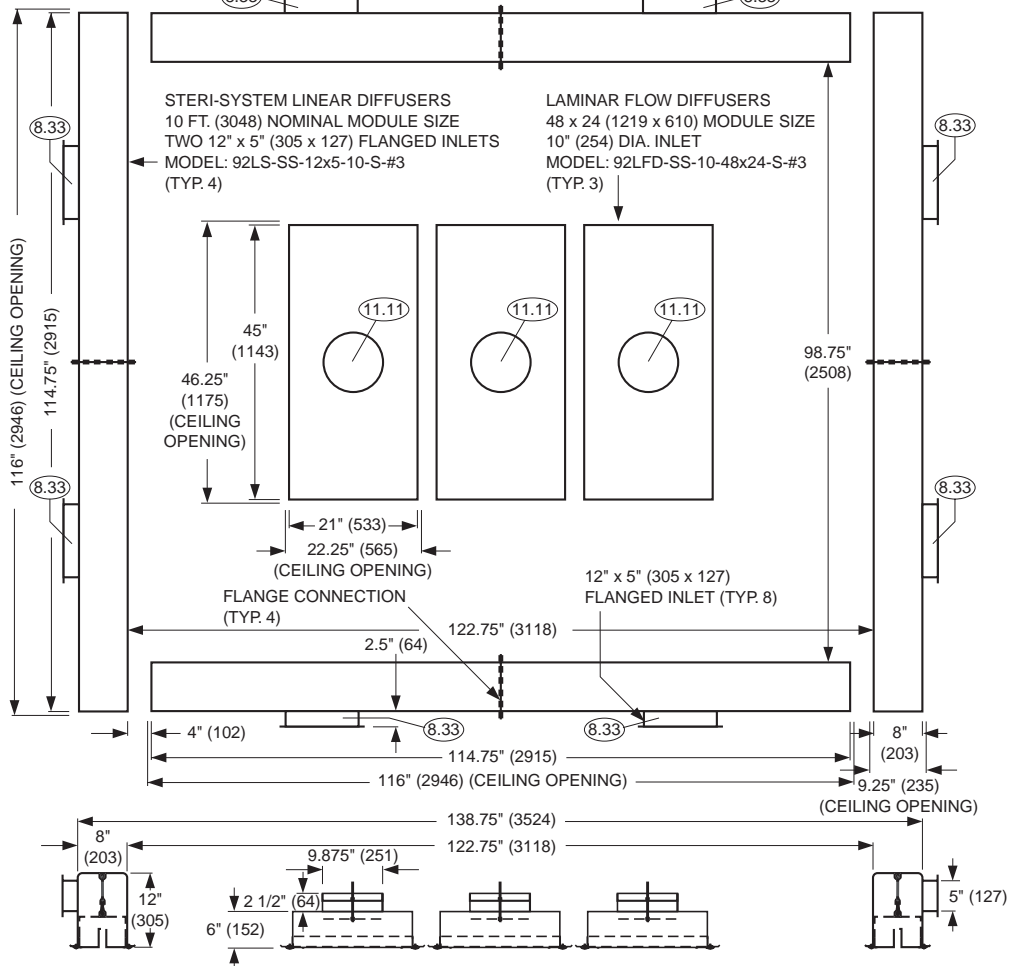
## Dimensional Data • Steri-System 10 x 8 Module • Model: 92STSYS – 10 x 8

Reflected Ceiling View



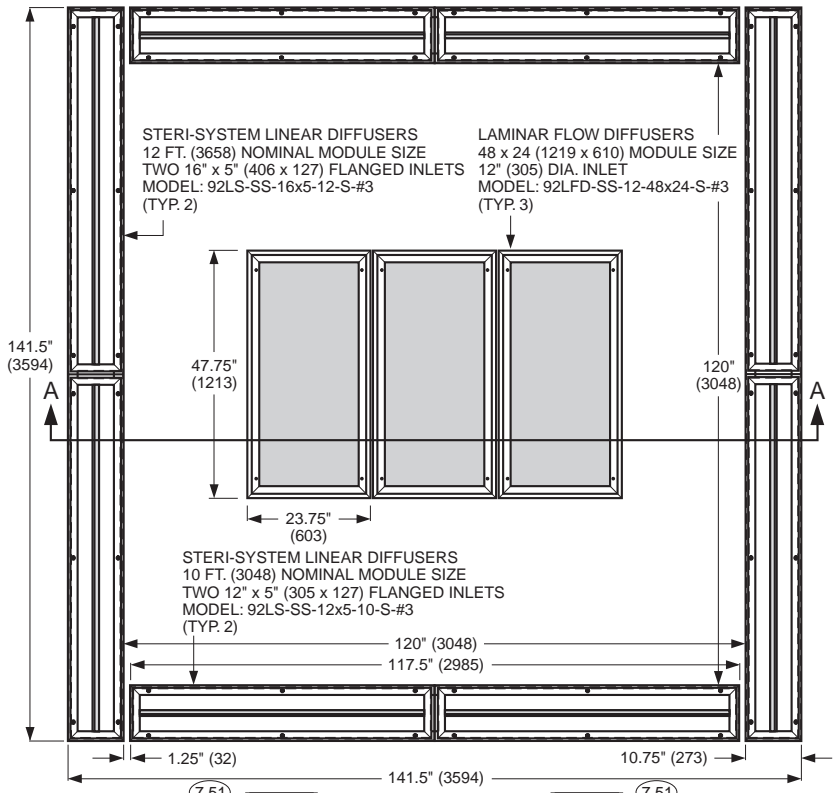
Plenum Top View

# RECOMMENDED PERCENTAGE OF TOTAL SYSTEM AIRFLOW SUPPLIED THROUGH IDENTIFIED INLET.

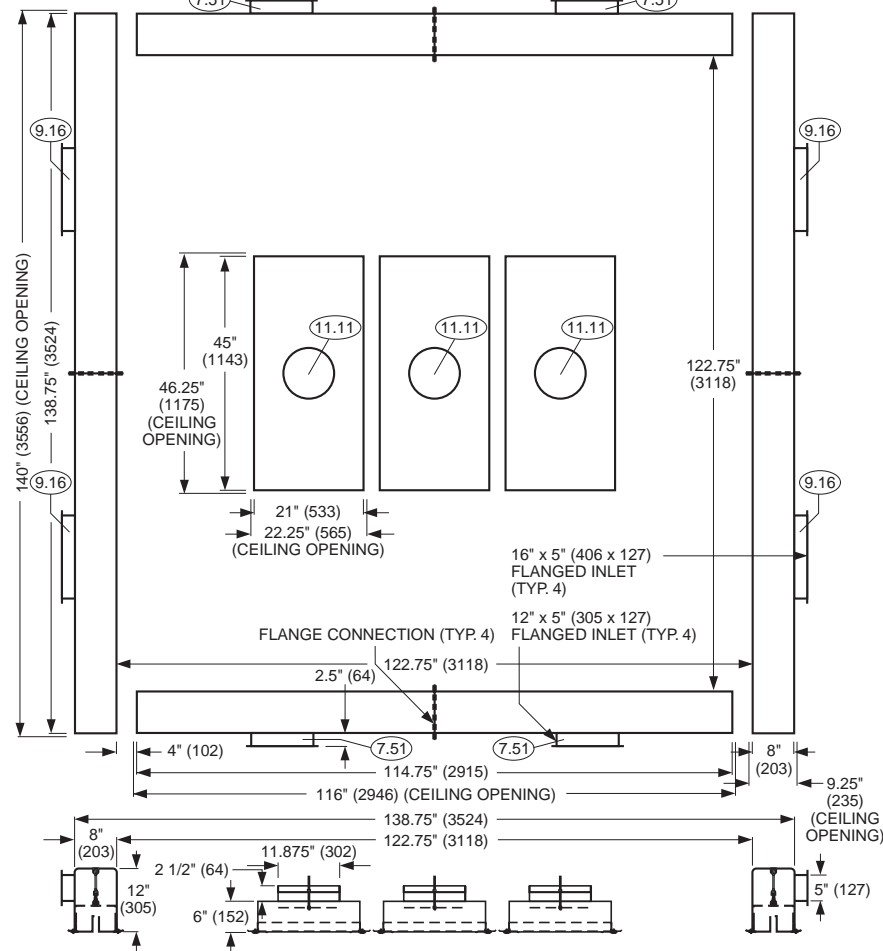


Section Detail A – A

## Dimensional Data • Steri-System 10 x 10 Module • Model: 92STSYS – 10 x 10



Reflected Ceiling View



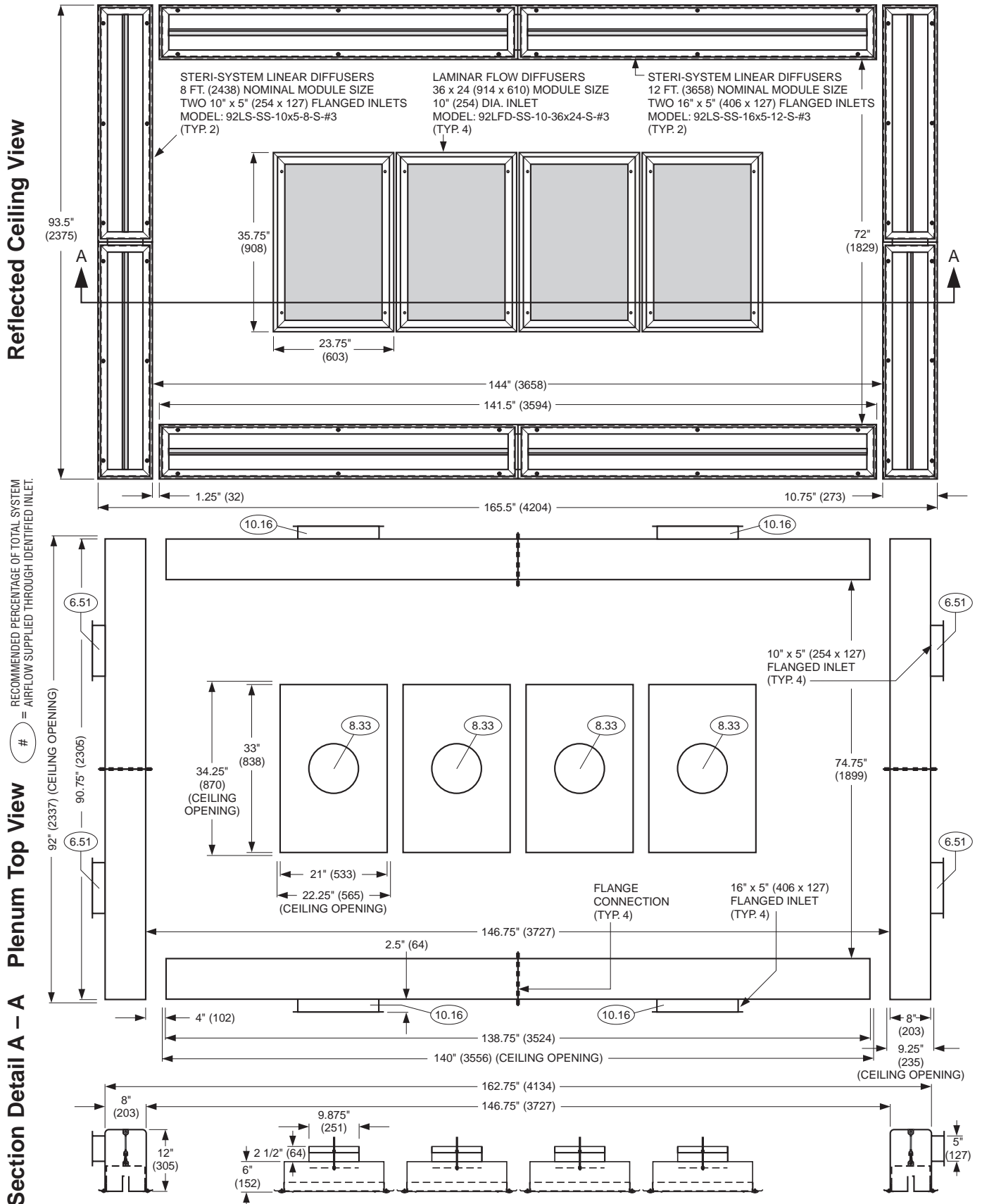
Plenum Top View

Section Detail A – A

HOSPITAL/CLEANROOM DIFFUSERS

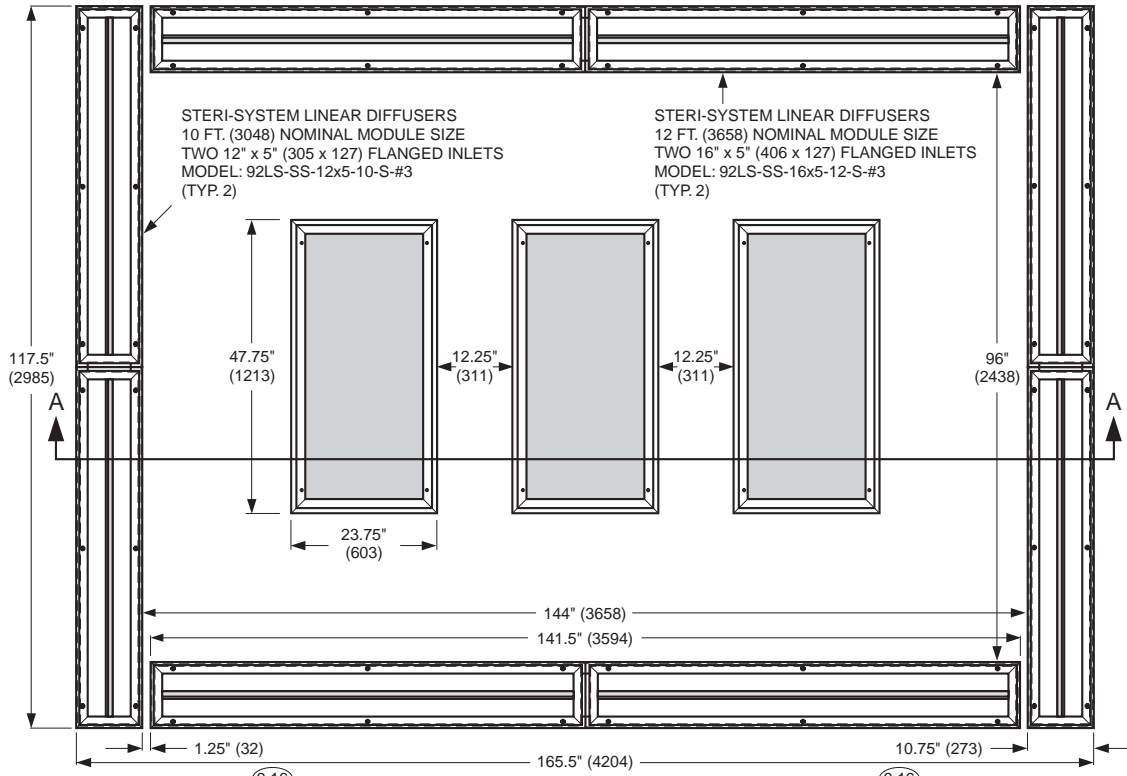


## Dimensional Data • Steri-System 12 x 6 Module • Model: 92STSYS – 12 x 6



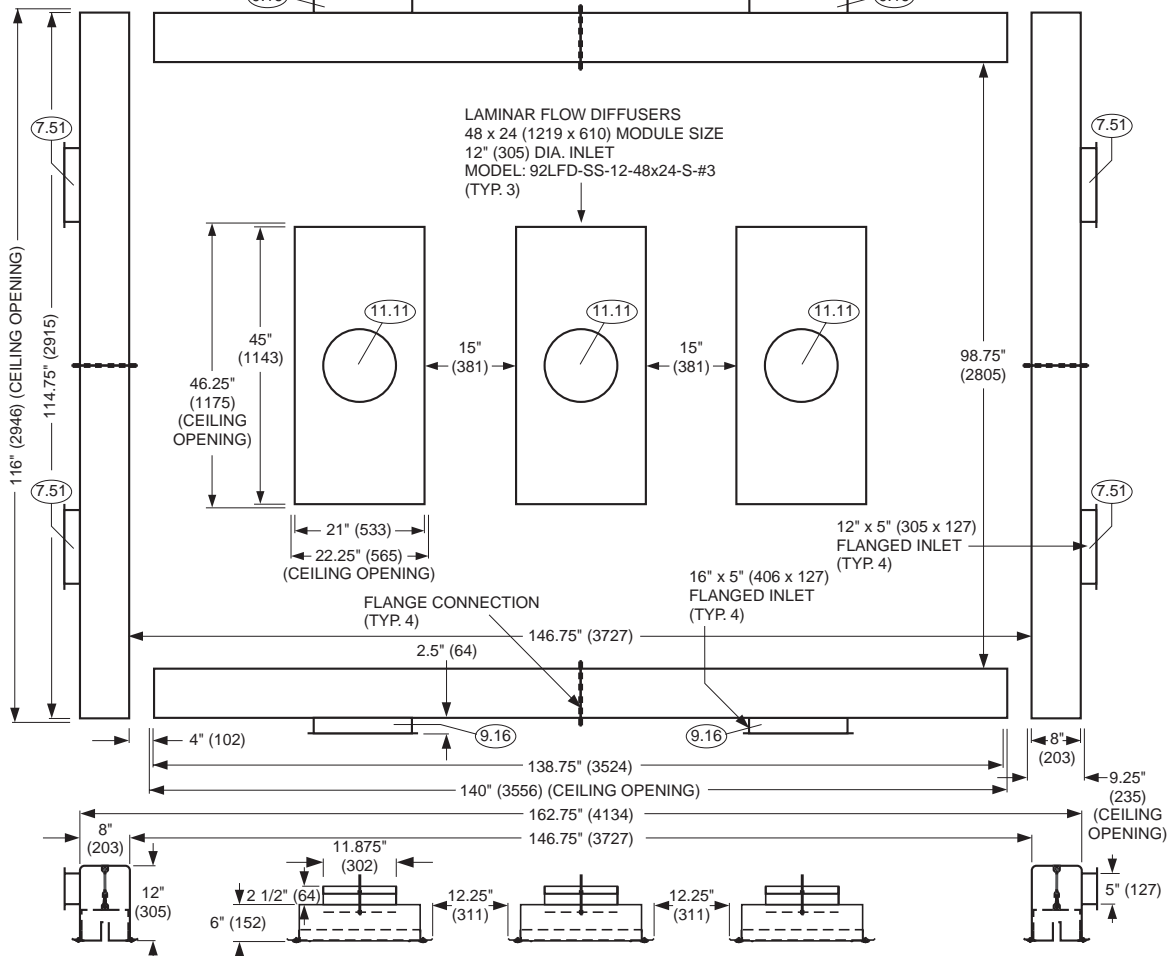
## Dimensional Data • Steri-System 12 x 8 Module • Model: 92STSYS – 12 x 8

### Reflected Ceiling View



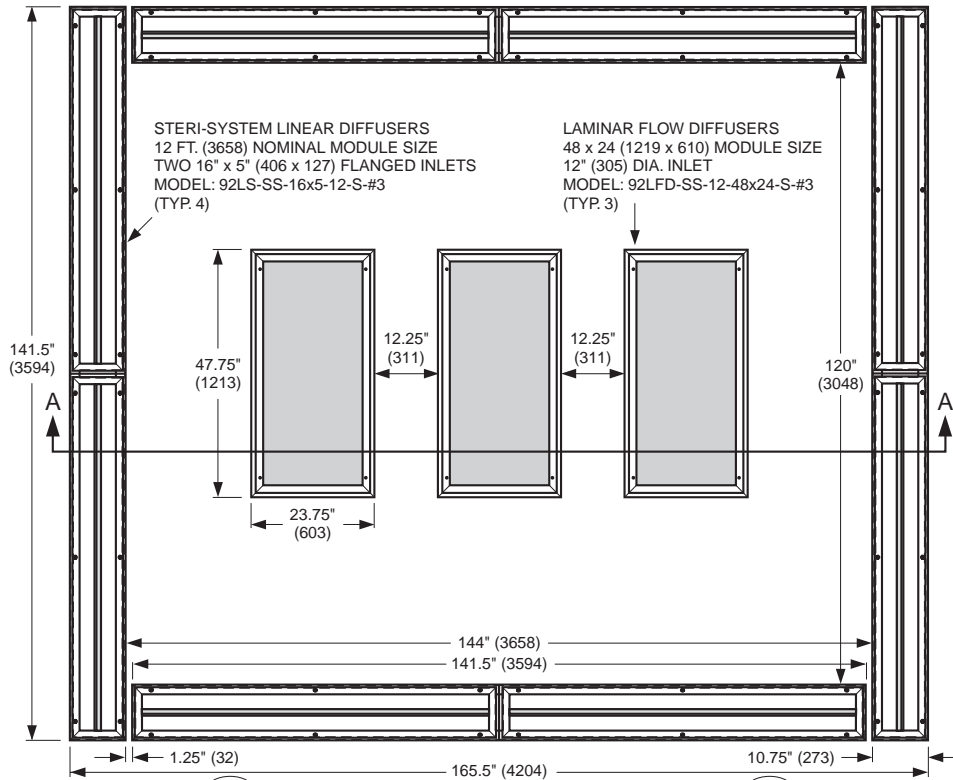
### Section Detail A – A Plenum Top View

# = RECOMMENDED PERCENTAGE OF TOTAL SYSTEM AIRFLOW SUPPLIED THROUGH IDENTIFIED INLET.

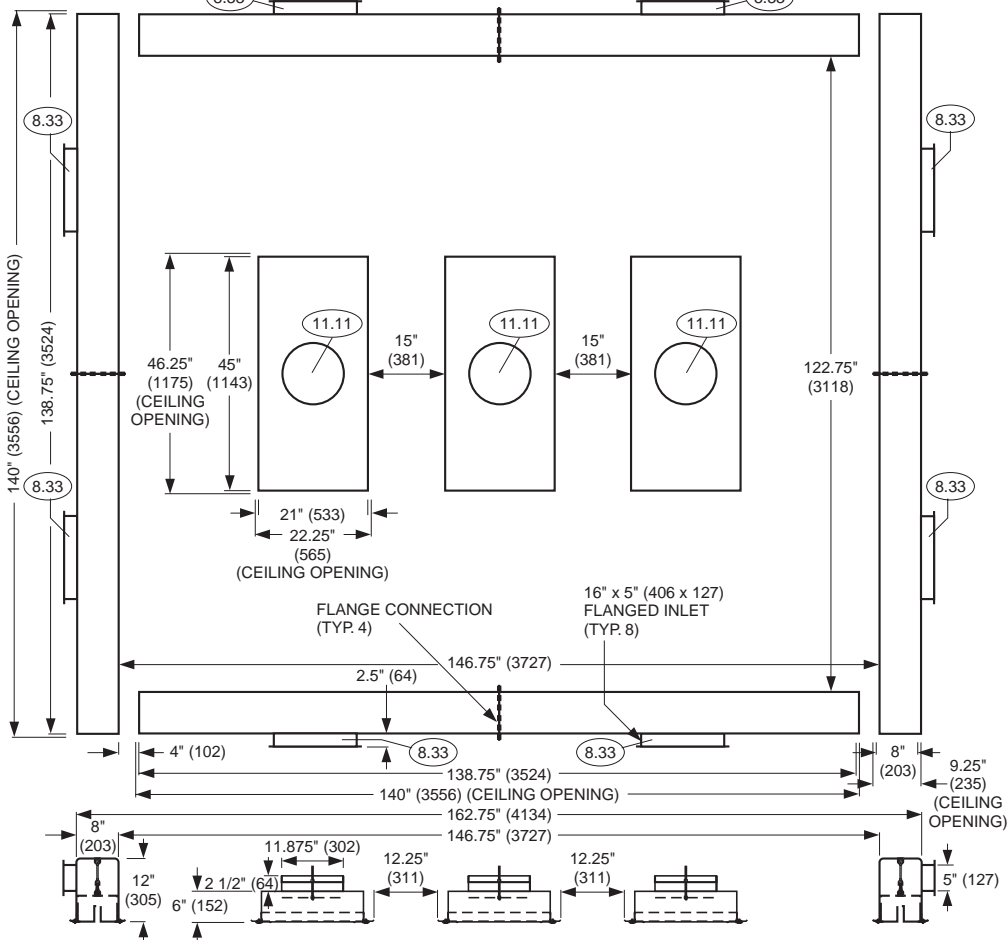


## Dimensional Data • Steri-System 12 x 10 Module • Model: 92STSYS – 12 x 10

Reflected Ceiling View



Plenum Top View

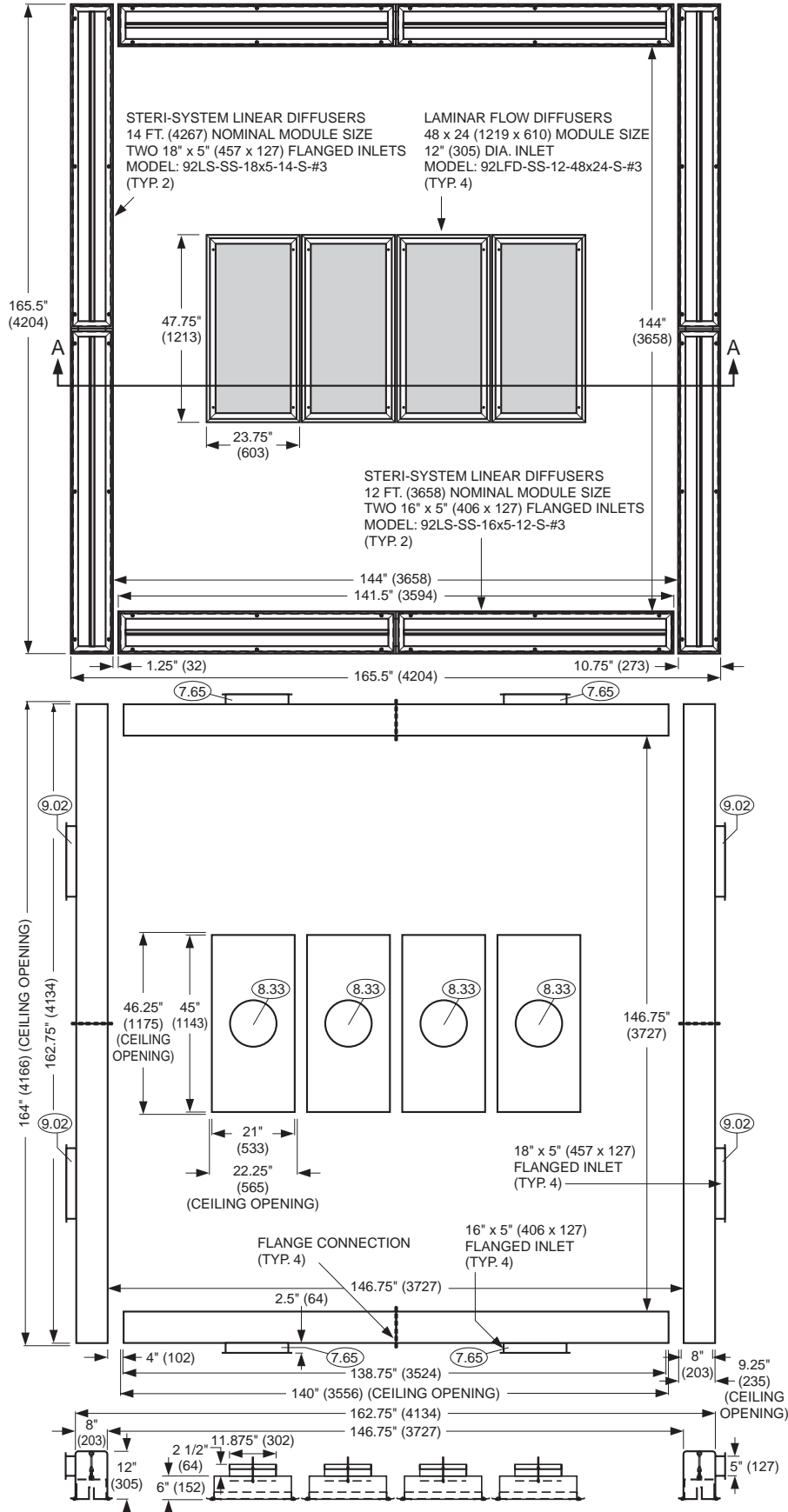


Section Detail A – A



HOSPITAL / CLEANROOM DIFFUSERS

## Dimensional Data • Steri-System 12 x 12 Module • Model: 92STSYS – 12 x 12



Reflected Ceiling View

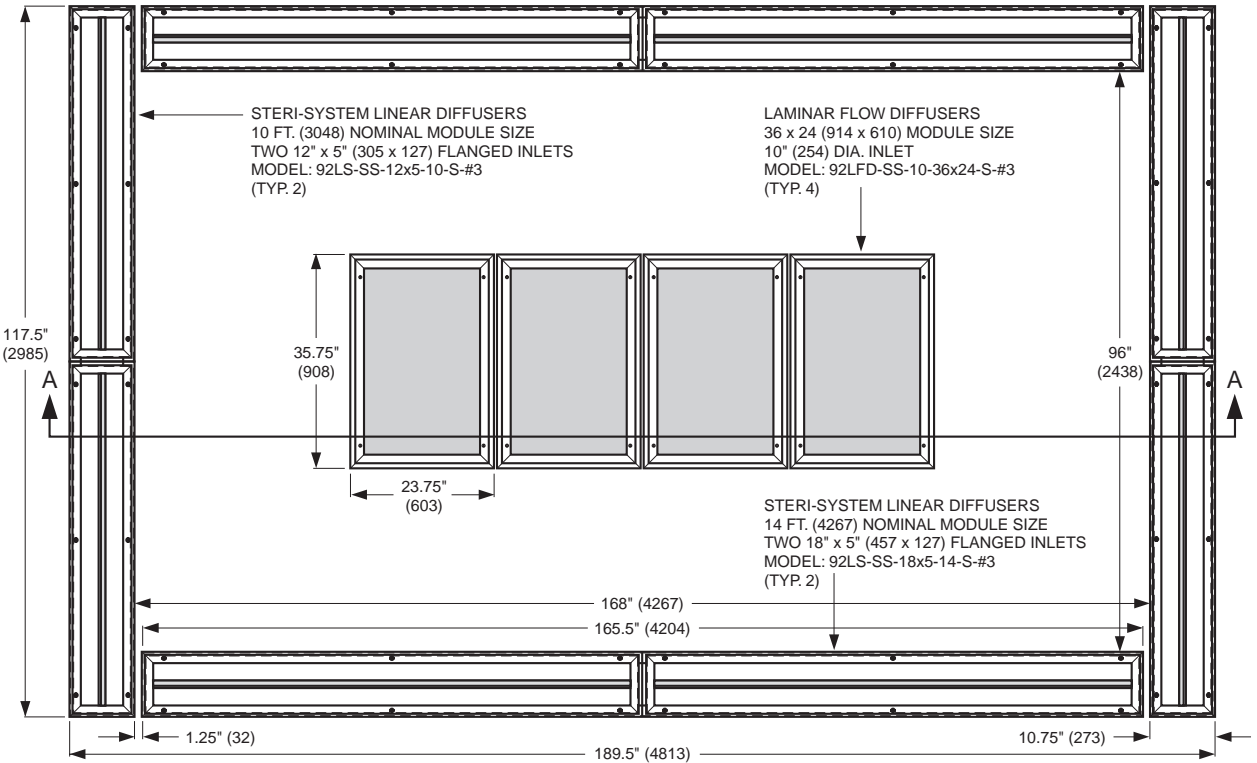
HOSPITAL / CLEANROOM DIFFUSERS

Plenum Top View

Section Detail A - A

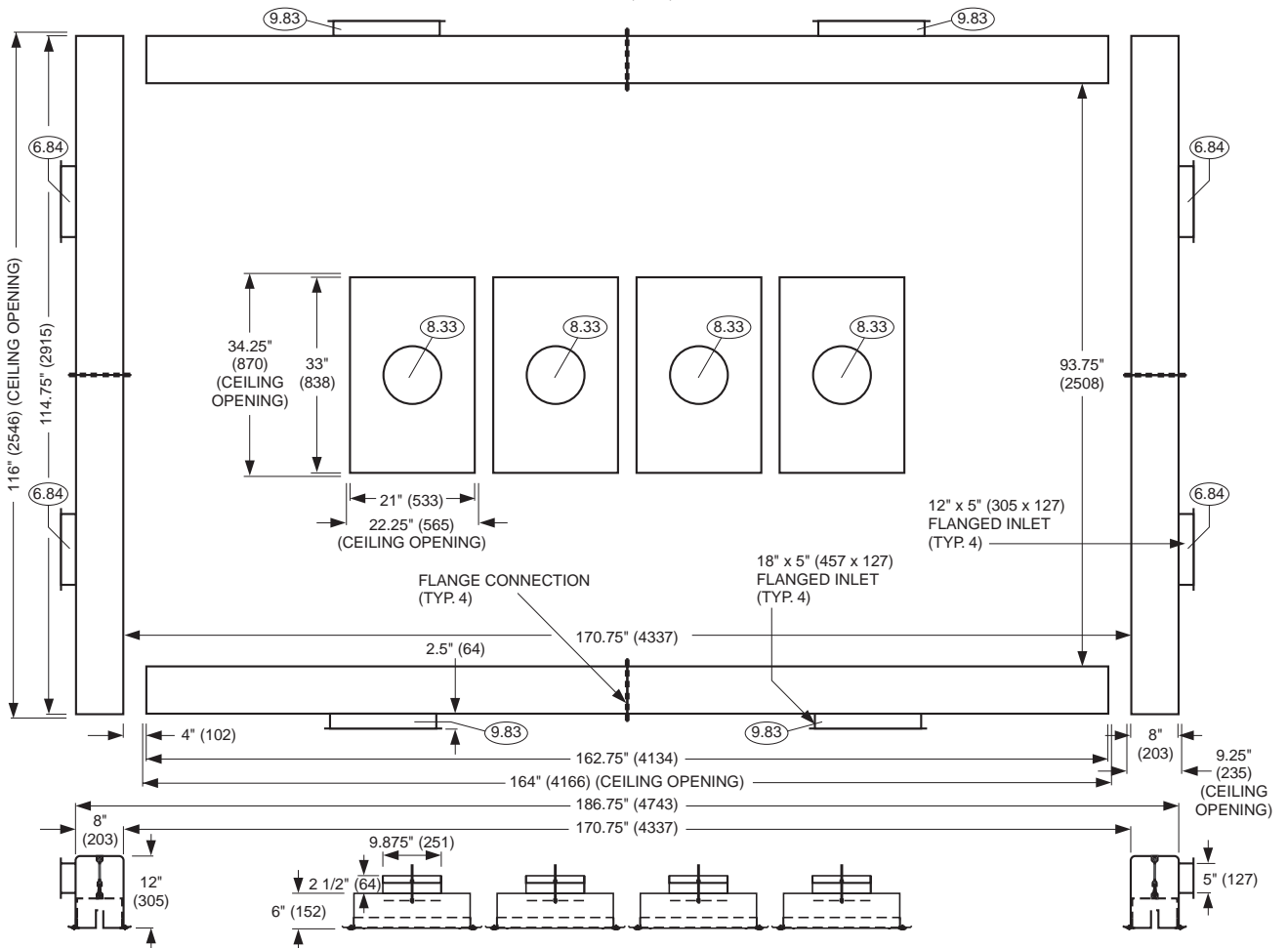
## Dimensional Data • Steri-System 14 x 8 Module • Model: 92STSYS – 14 x 8

Reflected Ceiling View



RECOMMENDED PERCENTAGE OF TOTAL SYSTEM AIRFLOW SUPPLIED THROUGH IDENTIFIED INLET

Section Detail A – A Plenum Top View



## Dimensional Data • Steri-System 14 x 10 Module • Model: 92STSYS – 14 x 10

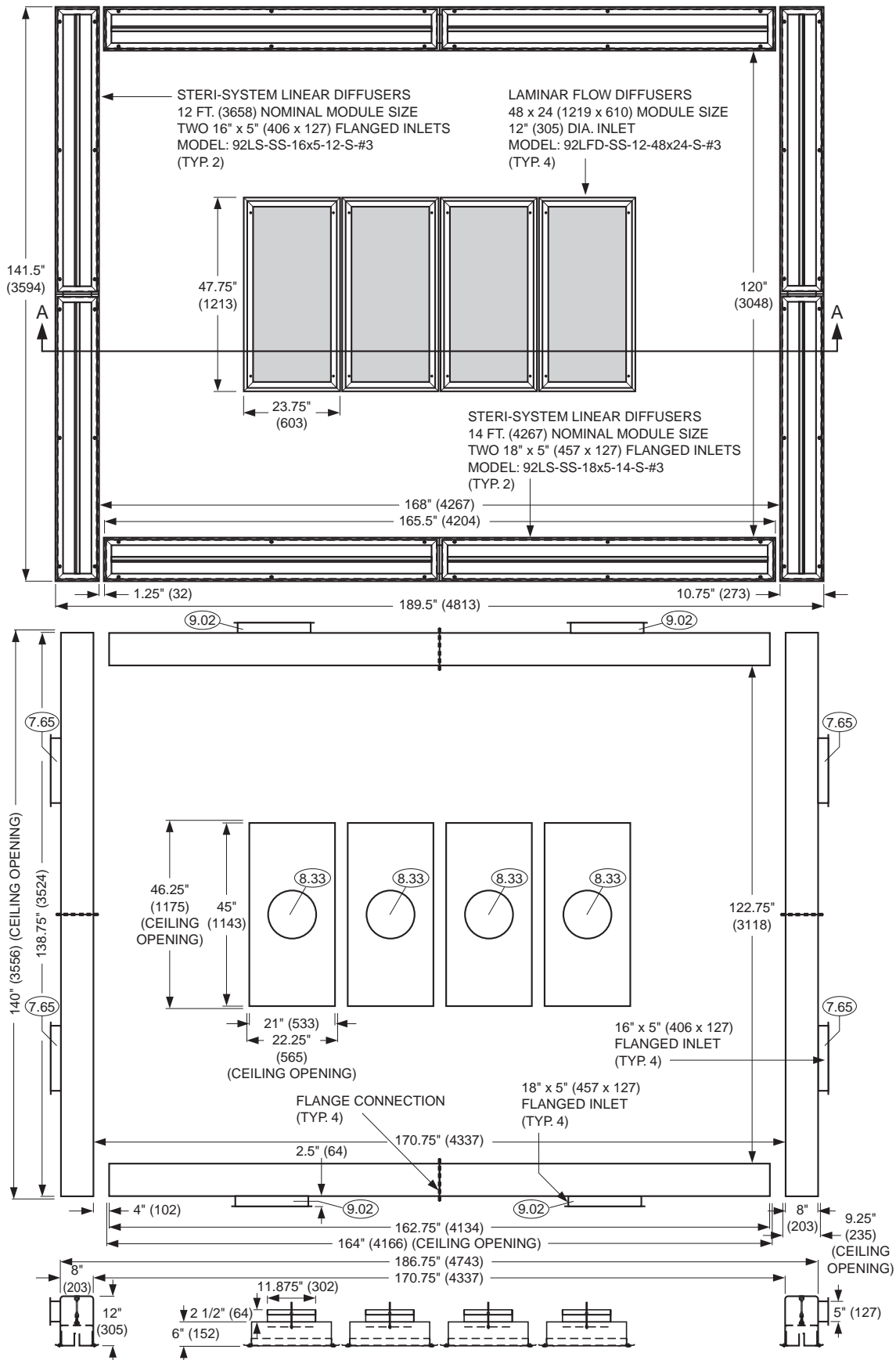


HOSPITAL / CLEANROOM DIFFUSERS

Reflected Ceiling View

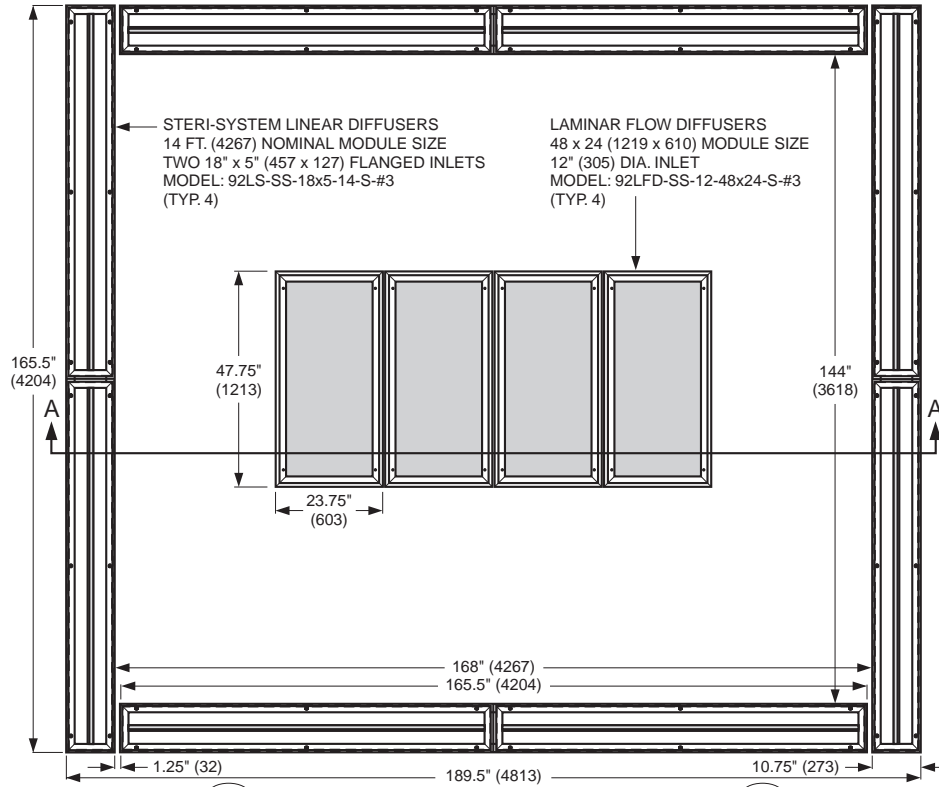
Section Detail A – A Plenum Top View

# = RECOMMENDED PERCENTAGE OF TOTAL SYSTEM AIRFLOW SUPPLIED THROUGH IDENTIFIED INLET.

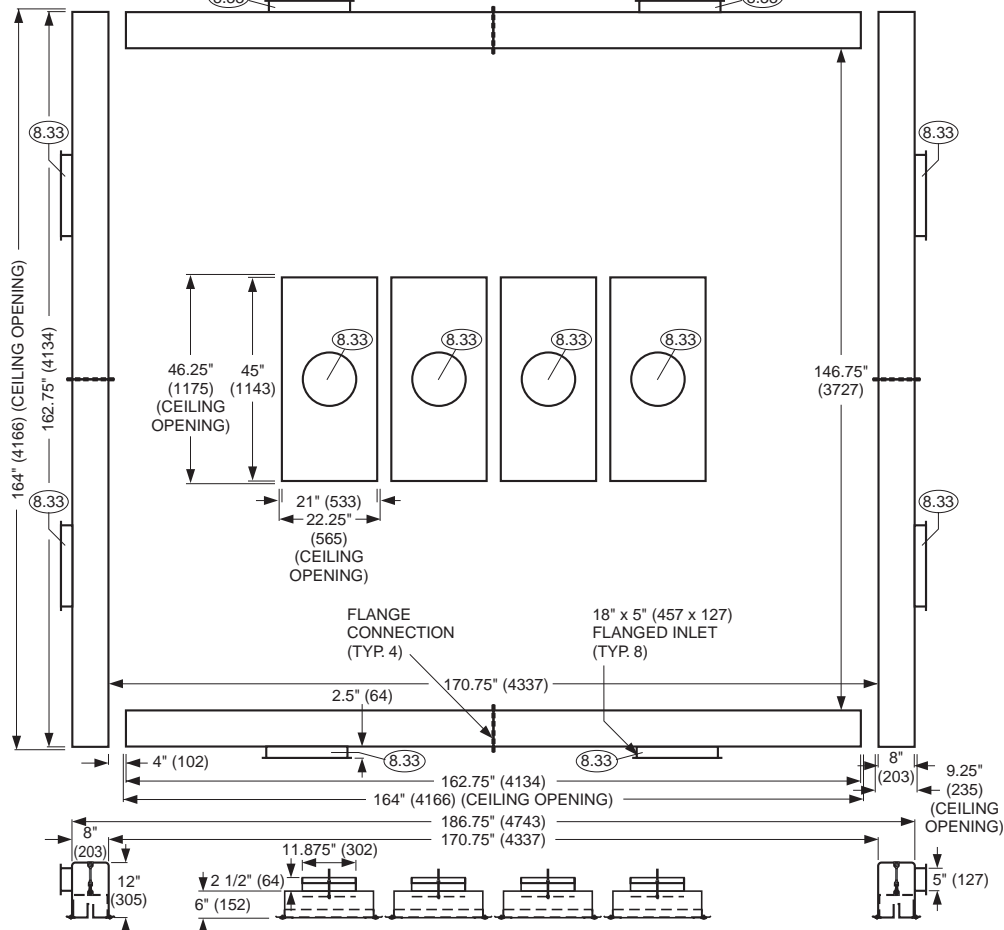


## Dimensional Data • Steri-System 14 x 12 Module • Model: 92STSYS – 14 x 12

Reflected Ceiling View



Plenum Top View

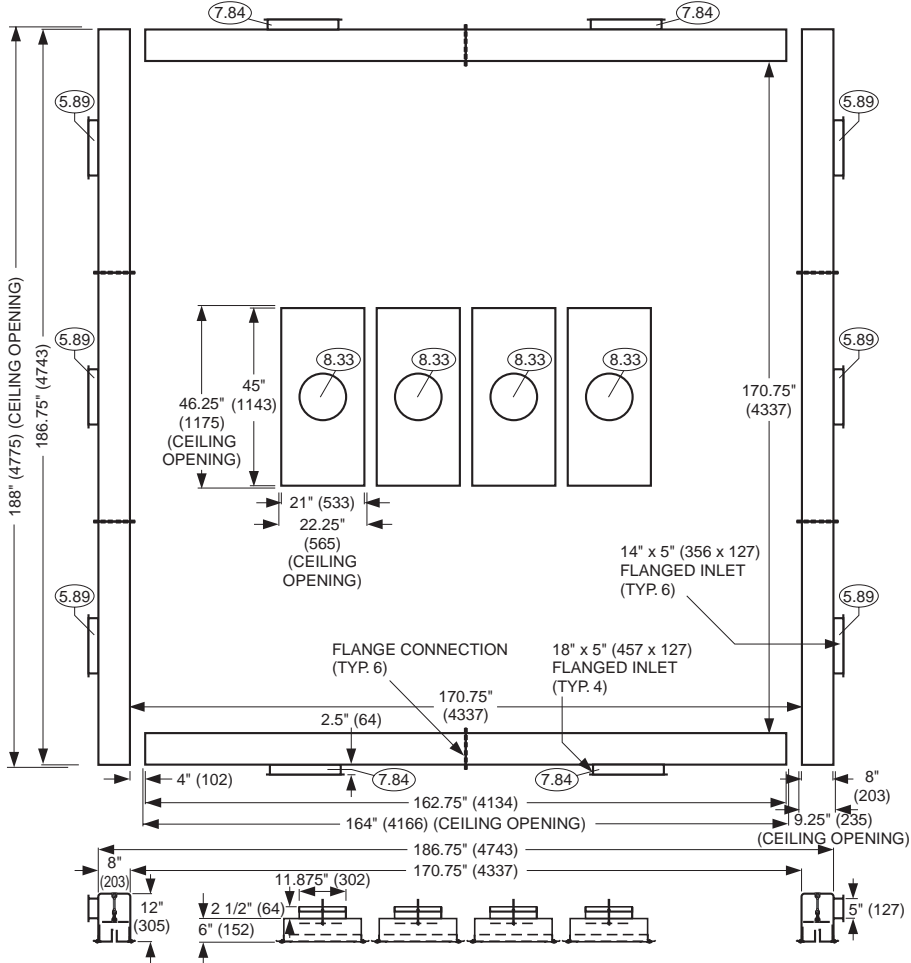
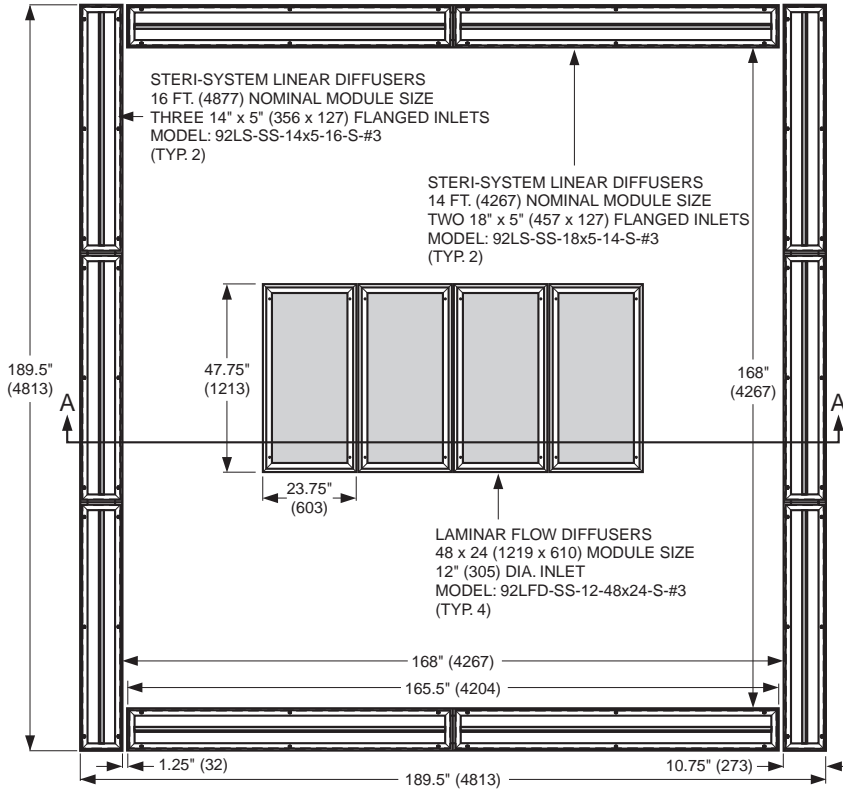


Section Detail A – A

E

HOSPITAL / CLEANROOM DIFFUSERS

**Dimensional Data • Steri-System 14 x 14 Module • Model: 92STSYS – 14 x 14**



RECOMMENDED PERCENTAGE OF TOTAL SYSTEM AIRFLOW SUPPLIED THROUGH IDENTIFIED INLET.

# =

**Reflected Ceiling View**

**Plenum Top View**

**Section Detail A – A**

**HOSPITAL / CLEANROOM DIFFUSERS**





## HOW TO SPECIFY OR TO ORDER

(Show complete Model Number and Size, unless "Default" is desired).

### Stainless Steel Steri-System Hospital Operating Room Air Systems – Model Series 92STSYS

		<b>92STSYS - 12 x 10 - S - #3 - —</b>			
<b>MODEL</b>				<b>OPTIONS</b>	
- 304 Stainless Steel	92STSYS			- None (default)	—
- 304 Stainless Steel with Perimeter Inlet Balancing Dampers	92STSYS-O			- 316 Stainless Steel Construction	316
<b>NOMINAL MODULE SIZE (ft.) (mm)</b>				<b>FINISH</b>	
- 8 x 4 (2438 x 1219)				- #3 Satin Polished (default)	#3
- 8 x 6 (2438 x 1829)				- Special Custom Color	SP
- 8 x 8 (2438 x 2438)				<b>FRAME TYPE</b>	
- 10 x 6 (3048 x 1829)				- Lay-in T-Bar	L
- 10 x 8 (3048 x 2438)				- Surface Mount	S
- 10 x 10 (3048 x 3048)					
- 12 x 6 (3658 x 1829)					
- 12 x 8 (3658 x 2438)					
- 12 x 10 (3658 x 3048)					
- 12 x 12 (3658 x 3658)					
- 14 x 8 (4267 x 2438)					
- 14 x 10 (4267 x 3048)					
- 14 x 12 (4267 x 3658)					
- 14 x 14 (4267 x 4267)					



HOSPITAL/CLEANROOM DIFFUSERS

#### SUGGESTED SPECIFICATION:

Furnish and install **Nailor Steri-System Model 92STSYS Hospital Operating Room Air Systems** of the size and type shown on the plans and air distribution schedules. The system shall be specially designed to reduce airborne contaminants, and thus, the risk of patient infection during surgery. The system shall be composed of two main components, Model 92LFD-SS Laminar Flow Diffusers and Model 92LS-SS Linear Slot Diffusers, constructed as follows:

The Laminar Flow Diffusers shall be constructed entirely from 304 stainless steel (316 optional), minimum 24 gauge. The perforated face of the diffuser shall have 13% free area with 3/32" (2.4) dia. holes on 1/4" (6) staggered centers. The face shall incorporate a second pressure plate as an integral assembly to ensure true laminar airflow. The face shall be attached with 1/4 turn fasteners to allow for complete removal and access to the interior for cleaning. All diffusers are to include safety cables to prevent accidental dropping of the removable face. A disc type damper, adjustable from the face of the diffuser, shall be provided with all units. Integral earthquake hanger tabs shall be included with all units.

The Linear Slot Diffusers shall be constructed entirely from 304 stainless steel (316 optional), minimum 24 gauge. The diffuser shall incorporate a non-adjustable single slot designed to create a vertical air curtain angled outwards 5 – 15°. The diffuser shall incorporate a pressure plate behind the slot to ensure uniform slot velocity. The pressure plate shall be 13% free area with 3/32" (2.4) dia. holes on 1/4" (6) staggered centers. The slot and pressure plate shall be attached with 1/4 turn fasteners to allow for complete removal and access to the interior for cleaning. The plenum shall incorporate radiused corners lengthwise to facilitate cleaning. Flanged plenum inlets are to be maximum 5" (127) in height to allow duct clearance over standard light fixtures. Plenums over 7 ft. (2134) in length shall be supplied in multiple sections with flange connections and stainless steel fasteners for field assembly. All diffusers are to include safety cables to prevent accidental dropping of the removable face. Integral earthquake hanger tabs shall be included with all units. All exposed surfaces shall have a #3 satin polished finish (optional finishes are available).

(Optional) An opposed blade damper, adjustable from the face of the diffuser, shall be provided on all perimeter inlets. Dampers shall be held in place with wing nut fasteners and be removable from the face of the diffuser.

The manufacturer shall provide published performance data for the system, which shall be tested in accordance with ANSI/ASHRAE Standard 70 – 2006.

## SELECTION OF STERI-SYSTEM MODULE SIZE

The first step in determining module size is to determine the total supply airflow for the operating room. The following table summarizes the current guidelines for the various organizations shown.

The most stringent minimum number of air changes is published by ASHRAE and they are generally considered to be the code authority throughout the country. Some areas require a 100% outside air supply system which not only helps to reduce contaminants but can provide additional protection during a fire emergency. Operating rooms are obviously not easy to evacuate during a fire and the combination of a positive pressure and outside air can enhance smoke protection.

Based on these (or other) guidelines, determine the total number of air changes required for the operating room. With this and the room volume we can determine the total airflow to be supplied:

$$\text{Total Room Supply Airflow (cfm)} = \frac{\text{Total Room Volume (ft}^3\text{)} \times \text{\# of Room ACH}}{60}$$

We must then confirm that this airflow will fulfill the other requirements of the room such as cooling load and humidity requirements as well as maintaining the pressure relationships with the adjoining areas. Some systems must be capable of quickly reducing or increasing the room temperature and humidity during or between procedures and/or maintaining a lowered

design set point temperature of 60 – 65°F (15 – 18°C) during procedures. Also, best air distribution and comfort conditions are generally obtained when the supply air temperature differential during surgery is small and relatively constant. When the total room airflow is determined we can choose our Steri-System module size. From the chart on page E83 the total system airflow ranges and noise levels are shown. The system should be selected within the ranges shown on the chart with consideration as to final module size and its ability to accommodate the personnel and equipment as necessary. The standard systems shown have been designed to simplify the selection and layout process while providing maximum protection to the patient within the airflow ranges shown. The interior and perimeter pressure and flow relationships are maintained with 1/3 of the airflow being supplied through the laminar flow center panels and the remaining 2/3 through the perimeter curtain diffusers. Inlet sizes and air volumes per inlet have been designed to minimize sound and pressure drop and enhance system efficiency. The standard modules shown are only a small fraction of the possible combinations available and are sized to meet the most common conditions. If your particular requirements cannot be met with the standard module sizes, other combinations of laminar flow diffusers and/or perimeter curtains are available. Please contact your local Nailor representative for assistance on your particular application.



Source	Room Types	Minimum Air Changes/Hour ACH	Minimum Outside Air ACH	Minimum Filtration Efficiency
ASHRAE 2003 Handbook HVAC Applications	Operating Room Cystoscopic Rooms Delivery Room	25	5	Merv 17 (99.97%) for Orthopedic, Bone Marrow and Organ Transplant. Merv 14 (90%) for General Procedure and Delivery Rooms.
American Institute of Architects 2001 Edition Guidelines for Design & Construction of Hospital & Health Care Facilities	Operating/Surgical Cystoscopic Rooms Delivery Room Trauma Room Procedure Room	15	3	90%
	Bronchoscopy, Triage, ER or Radiology Waiting Rooms	12	3	
	Endoscopy	6	2	
Canadian Standards Assoc. CSA Standard Z317.2-01 September, 2001	Operating Rooms Endoscopy, Bronchoscopy, Cystoscopy, PACU, Surgical Day Care, Caesarean Delivery	20	6	99.97%

This table summarizes some of the current recommendations for operating room ventilation rates. Consult the actual documents for specific requirements and exceptions.

## Performance Data

### Steri-System • Hospital Operating Room Air Distribution Systems System Selection Chart:

#### Imperial Units

Module Size	Perimeter Slot Length (ft)	Perimeter Inlet Size(s) (Qty @ W x H)	Perimeter CFM Range (25-35-45 cfm/ft)	Center Panels Recommended Size (Qty @ Inlet - Module)	Center Panels CFM Range (Low-Med-High)	Total System CFM Range (Low-Med-High)	Total System NC (Low-Med-High)
8 x 4	25.17	2 @ 16 x 5, 4 @ 10 x 5	630-880-1135	2 @ 10" dia - 36 x 24	315-440-565	945-1320-1700	25-29-34
8 x 6	28.5	8 @ 10 x 5	715-1000-1285	2 @ 12" dia - 48 x 24	355-500-640	1070-1500-1925	23-25-29
8 x 8	32.5	4 @ 12 x 5, 4 @ 10 x 5	815-1140-1465	3 @ 10" dia - 36 x 24	405-570-730	1220-1710-2195	25-29-33
10 x 6	32.5	4 @ 12 x 5, 4 @ 10 x 5	815-1140-1465	3 @ 10" dia - 36 x 24	405-570-730	1220-1710-2195	25-29-33
10 x 8	36.5	8 @ 12 x 5	915-1280-1645	3 @ 10" dia - 48 x 24	455-640-825	1370-1920-2470	25-28-32
10 x 10	40.5	4 @ 16 x 5, 4 @ 12 x 5	1015-1420-1825	3 @ 12" dia - 48 x 24	505-710-910	1520-2130-2735	24-26-29
12 x 6	36.5	4 @ 16 x 5, 4 @ 10 x 5	915-1280-1645	4 @ 10" dia - 36 x 24	455-640-825	1370-1920-2470	25-29-32
12 x 8	40.5	4 @ 16 x 5, 4 @ 12 x 5	1015-1420-1825	3 @ 12" dia - 48 x 24	505-710-910	1520-2130-2735	24-26-29
12 x 10	44.5	8 @ 16 x 5	1115-1560-2005	3 @ 12" dia - 48 x 24	555-780-1000	1670-2340-3005	24-27-32
12 x 12	48.5	4 @ 18 x 5, 4 @ 16 x 5	1215-1700-2185	4 @ 12" dia - 48 x 24	605-850-1090	1820-2550-3275	22-27-28
14 x 8	44.5	4 @ 18 x 5, 4 @ 12 x 5	1115-1560-2005	4 @ 10" dia - 36 x 24	555-780-1000	1670-2340-3005	26-30-34
14 x 10	48.5	4 @ 18 x 5, 4 @ 16 x 5	1215-1700-2185	4 @ 12" dia - 48 x 24	605-850-1090	1820-2550-3275	22-27-28
14 x 12	52.5	8 @ 18 x 5	1315-1840-2365	4 @ 12" dia - 48 x 24	655-920-1180	1970-2760-3545	26-26-30
14 x 14	55.83	6 @ 14 x 5, 4 @ 18 x 5	1395-1955-2510	4 @ 12" dia - 48 x 24	700-975-1255	2095-2930-3765	24-24-32

#### Metric Units

Module Size	Perimeter Slot Length (m)	Perimeter Inlet Size(s) (Qty @ W x H)	Perimeter l/s Range (38.7-54.2-69.7 l/s/m)	Center Panels Recommended Size (Qty @ Inlet - Module)	Center Panels l/s Range (Low-Med-High)	Total System l/s Range (Low-Med-High)	Total System NC (Low-Med-High)
8 x 4	7.672	2 @ 406 x 127, 4 @ 254 x 127	297-415-536	2 @ 254" dia - 914 x 610	149-208-267	446-623-802	25-29-34
8 x 6	8.687	8 @ 254 x 127	337-472-606	2 @ 305" dia - 1219 x 610	168-236-302	505-708-908	23-25-29
8 x 8	9.906	4 @ 305 x 127, 4 @ 254 x 127	385-538-691	3 @ 254" dia - 914 x 610	191-269-344	576-807-1036	25-29-33
10 x 6	9.906	4 @ 305 x 127, 4 @ 254 x 127	385-538-691	3 @ 254" dia - 914 x 610	191-269-344	576-807-1036	25-29-33
10 x 8	11.125	8 @ 305 x 127	432-604-776	3 @ 254" dia - 1219 x 610	215-302-389	647-906-1166	25-28-32
10 x 10	12.344	4 @ 406 x 127, 4 @ 305 x 127	479-670-861	3 @ 305" dia - 1219 x 610	238-335-429	717-1005-1291	24-26-29
12 x 6	11.125	4 @ 406 x 127, 4 @ 254 x 127	432-604-776	4 @ 254" dia - 914 x 610	215-302-389	647-906-1166	25-29-32
12 x 8	12.344	4 @ 406 x 127, 4 @ 305 x 127	479-670-861	3 @ 305" dia - 1219 x 610	238-335-429	717-1005-1291	24-26-29
12 x 10	13.564	8 @ 406 x 127	526-736-946	3 @ 305" dia - 1219 x 610	262-368-472	788-1104-1418	24-27-32
12 x 12	14.783	4 @ 457 x 127, 4 @ 406 x 127	573-802-1031	4 @ 305" dia - 1219 x 610	285-401-514	859-1203-1545	22-27-28
14 x 8	13.564	4 @ 457 x 127, 4 @ 305 x 127	526-736-946	4 @ 254" dia - 914 x 610	262-368-472	788-1104-1418	26-30-34
14 x 10	14.783	4 @ 457 x 127, 4 @ 406 x 127	573-802-1031	4 @ 305" dia - 1219 x 610	285-401-514	859-1203-1545	22-27-28
14 x 12	16.002	8 @ 457 x 127	621-868-1116	4 @ 305" dia - 1219 x 610	309-434-557	930-1302-1673	26-26-30
14 x 14	17.017	6 @ 356 x 127, 4 @ 457 x 127	658-923-1184	4 @ 305" dia - 1219 x 610	330-460-592	989-1383-1777	24-24-32

#### Performance Notes:

1. Data derived from tests conducted in accordance with ANSI/ASHRAE Standard 70 - 2006.
2. Noise Criteria (NC) values based on 10 dB room absorption re 10<sup>-12</sup> watts with dampers fully open.

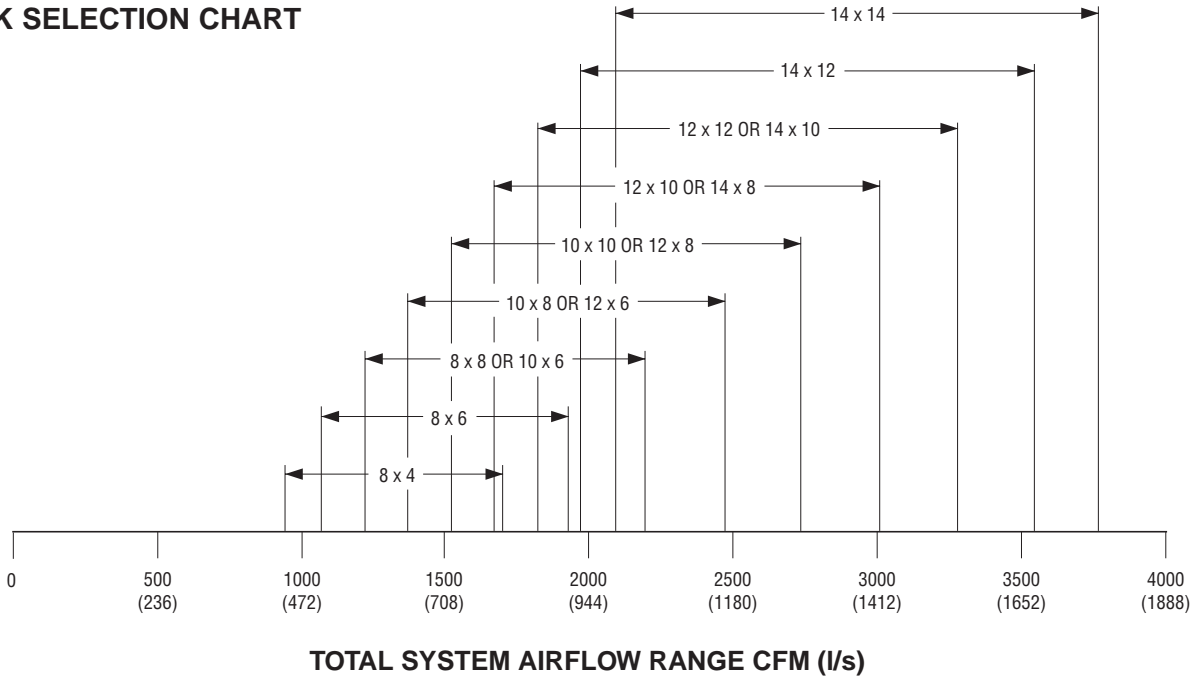
3. Airflows to be selected based on 1/3 of total airflow through the center panels and the remaining 2/3 through the perimeter. Refer to Steri-System plenum drawings for the recommended percentage of total airflow per individual inlet.

4. To accommodate various ceiling configurations such as lights and equipment, center panels and layouts can be varied slightly. It is important to maintain panel areas and overall configuration for proper performance. Contact your local Nailor representative for assistance on your particular application.

## Performance Data

### Steri-System • Hospital Operating Room Air Distribution Systems

#### QUICK SELECTION CHART



TOTAL SYSTEM AIRFLOW RANGE CFM (l/s)

#### SELECTION EXAMPLE

Design Criteria: General Procedure Operating Room  
 Room Size: 20 ft wide x 25 ft long x 10 ft ceiling height  
 = 5000 ft<sup>3</sup> Room Volume  
 Minimum: 8 ft x 8 ft Clean Zone Required  
 Supply Air Temperature: 55°F  
 Room Temperature Set Point Range: 62 – 80°F  
 Airflow: Minimum 25 ACH (recirculating system) –  
 Positive room pressure  
 Sound Level: 25 – 35 NC

Calculate required room airflow rate:

$$\text{Airflow (cfm)} = \frac{\text{Room Volume (ft}^3\text{)} \times \text{ACH}}{60}$$

$$\text{Airflow (cfm)} = 5000 \times 25 / 60 = 2083 \text{ cfm}$$

We must then confirm that this airflow will meet the maximum cooling load requirement for the room (not shown). Note that the room temperature must be able to be maintained at the lowest specified temperature for some procedures (62°F in this example). With a 55°F supply air temperature the load may, in some cases, require an increase in airflow to compensate for the low ΔT between supply air and room temperature. Also some procedures may require the system to quickly reduce or increase the room temperature and humidity during or between procedures. One of the features of the Steri-System design concept is the creation of a micro-climate within the clean zone. The enhanced air change rate within the curtain (Refer to Table 1 in the Engineering Section) and the use of non-aspirating Laminar Flow Diffusers create a room within a room effect. An analysis of the cooling load within the air curtain should be considered for critical

projects. Obviously, for the 80°F set point, the reheat coil and modulating valve must be sized accordingly. (Refer to the Nailor VAV Terminal Units catalog for more information on reheat coil selection).

From the selection chart we see that the airflow falls midrange for a 12 x 8 Steri-System module size which meets our minimum specified clean zone size. From the module layout page we have all the pertinent dimensions as well as recommended inlet sizes and airflows. This should be co-ordinated with the desired ceiling layout for surgical lighting, utility columns, monitors and equipment etc.. Several different module sizes will meet the specified criteria and the choice will generally depend on the layout. (Placement of diffusers above the table should take priority over placement of light fixtures).

Also from the selection chart, we find a system NC level of 26 which falls well within the recommended sound levels. Therefore a standard 12 x 8 Module Steri-System will meet our criteria for this example.

For return air grille sizing and room pressurization we will use the recommended 85% of the supply air total and a minimum of two inlets.

Therefore:

$$\text{Total Return Air} = \text{Supply Airflow} \times 0.85 = 2083 \times 0.85 = 1770 \text{ cfm total}$$

or for two inlets

$$= 885 \text{ cfm each}$$

For a standard Model 67FB45 and sizing for low sound and pressure drop we find that two grilles 18" x 18" (or equivalent size) will be sufficient, resulting in a low noise level (< NC 20) and pressure drop (< 0.1" w.g.).

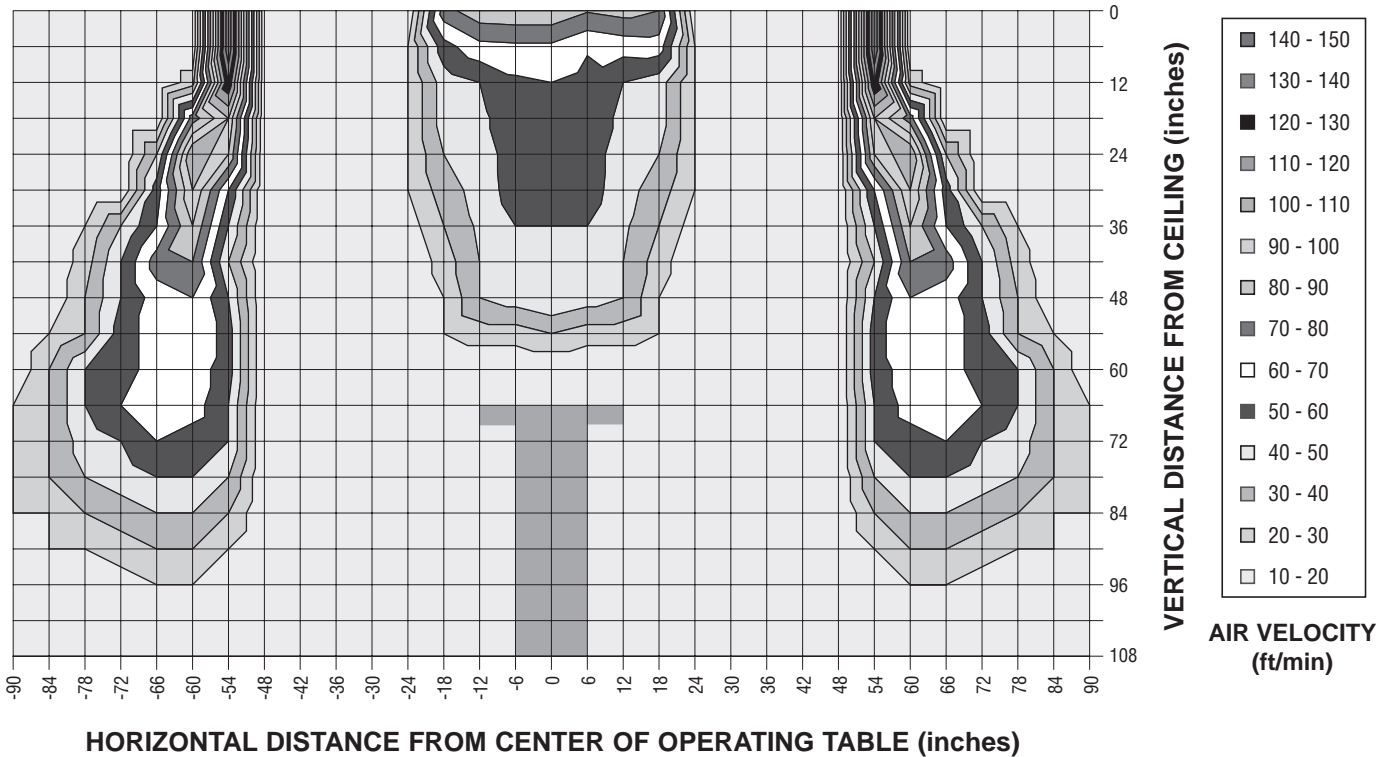


## Performance Data

### Steri-System • Hospital Operating Room Air Distribution Systems

#### PERFORMANCE TEST – 12 x 8 STERI-SYSTEM MODULE

(Medium Airflow Range – 35 cfm/ft Perimeter / 30 cfm/sq. ft Center Panels)



**NOTE:**

The graph above shows actual air velocities and the associated isovels. This data was obtained in a full scale mock-up test performed on a standard 12 x 8 Steri-System module under isothermal conditions.

**Performance Notes:**

1. Data derived from tests conducted in accordance with ANSI/ASHRAE Standard 70 – 2006.
2. Performance is for standard 12 x 8 module Steri-System under isothermal conditions.
3. Perimeter Airflow = 1420 cfm (670 l/s).  
Laminar Airflow = 710 cfm (335 l/s).  
Total Airflow = 2130 cfm (1005 l/s).



Photo shows standard 12 x 8 Steri-System module installed in the Nailor Air Distribution laboratory.



HOSPITAL / CLEANROOM DIFFUSERS

## STAINLESS STEEL RETURN GRILLES AND REGISTERS

- LOUVERED FACE
- FIXED 45° BLADE DEFLECTION
- 3/4" (19) SPACING
- 1/4 TURN FASTENERS

### Model:

### 67FB45

- Suffix '-O' adds a stainless steel opposed blade damper



Model 67FB45

**Model 67FB45 Return Grilles and Registers** have fixed horizontal blades (parallel to width/first specified dim.) spaced on 3/4" (19) centers with 45° straight face deflection. The grille core is secured to the face of the outer frame with stainless steel 1/4 turn fasteners allowing quick removal for cleaning or changing the filters.

The streamlined blades and open spacing maintain a minimum effective free area of 50%, which minimizes intake velocity, reduces inlet pressure and provides quiet operation. Deflected blade grilles installed in a low or high side wall location are vision-proof with the grille blade deflection facing away from the line of sight.

Stainless steel grilles and registers are well suited for applications involving corrosive environments, high humidity or frequent cleaning with strong chemicals. Typical projects include hospitals, cleanrooms, laboratories, industrial and manufacturing facilities.

### FEATURES:

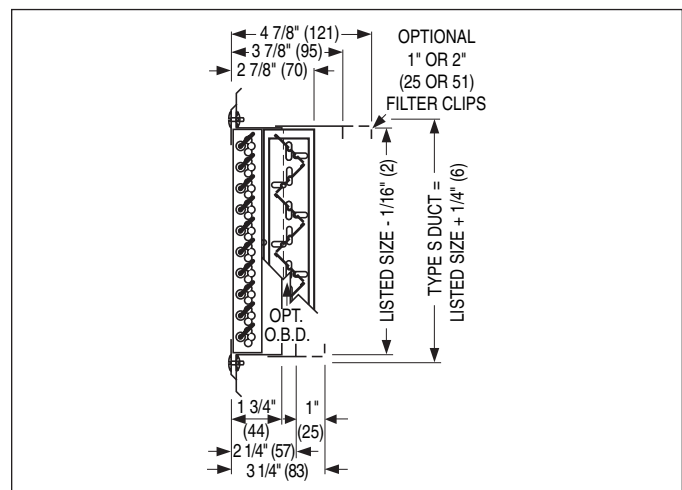
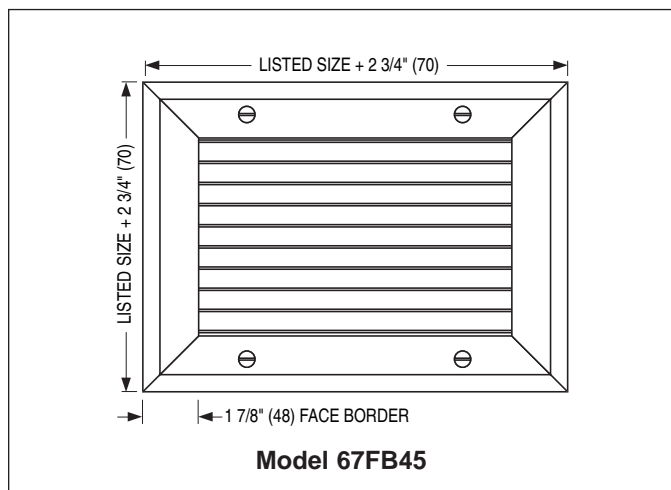
- Type 304 stainless steel construction.
- Grille frame and the outer mounting frame combine to form an architecturally pleasing 1 7/8" (48) overall face border.
- Standard fastening is Type A countersunk screw holes on the inside neck of the outer frame. Grille core is secured to the outer frame with stainless steel 1/4 turn fasteners.
- Streamlined shaped roll-formed blades on 3/4" (19) centers. Blades positively hold deflection setting under all conditions of velocity and pressure.
- Integral dampers - roll-formed stainless steel blades. Opposed blade design with a screwdriver operator.
- Available in sizes from 4" x 4" to 60" x 48" (102 x 102 to 1524 x 1219).
- Contact factory for availability of other frame/core combinations.

**Material:** Type 304 Stainless Steel construction.

**Finish:** #3 Satin Polished finish is standard. Other finishes are available.

### Options:

- 316 Stainless Steel construction.
- AW Appliance White finish.
- F1 1" (25) Filter clips.
- F2 2" (51) Filter clips.
- WT 1/4 Turn 'Wingnut' Fasteners.



## HOW TO SPECIFY OR TO ORDER

(Show complete Model Number and Size, unless "Default" is desired).

### Stainless Steel Fixed Return Grilles and Registers – 3/4" (19) Blade Spacing

		<b>67FB 45 - O - 24 x 12 - S - #3 - A - —</b>			
<b>MODEL</b>	_____			<b>ACCESSORIES</b>	
- 304 Stainless Steel (Blades louvered)	67FB			- None (default)	—
<b>BLADE DEFLECTION</b>	_____			- 1" (25) Filter clips	F1
- 45° Defl., 3/4" (19) Spacing	45			- 2" (51) Filter clips	F2
<b>DAMPER (OBD)</b>	_____			- 1/4 Turn 'Wingnut' Fasteners	WT
- Stainless Steel (standard)	O			<b>OPTIONS</b>	
- No Damper	—			- None (default)	—
<b>WIDTH</b>	_____			- #316 Stainless Steel Construction	316
inches (mm)				<b>FASTENING</b>	
				- Screw Holes (default)	A
<b>HEIGHT</b>	_____			<b>FINISH</b>	
inches (mm)				- #3 Satin Polished (default)	#3
				- Appliance White	AW
				- Special	SP
				<b>FRAME/BORDER TYPE</b>	
				- Surface Mount (default)	S

**E**

**HOSPITAL / CLEANROOM DIFFUSERS**

**Notes:**

1. These grilles feature a subframe as standard for applications which may require frequent removal for cleaning. You must specify filter clips for filter applications.
2. For Frame/Border Type S, duct size is listed + 1/4" (6).
3. Core fastening: Standard core is secured with four 1/4 turn slotted fasteners.

**SUGGESTED SPECIFICATION:**

Furnish and install **Nailor Model 67FB45 Return Grilles** of the size and type shown on the plans and air distribution schedules. The grilles shall be constructed entirely from 304 stainless steel (316 optional). Streamlined shaped roll-formed blades shall be fixed on 3/4" (19) centers. The grille core shall be secured to the outer frame with stainless steel 1/4 turn fasteners to allow for complete removal and access to the interior for cleaning. All exposed surfaces shall have a #3 satin polished finish (optional finishes are available).

(Optional) A stainless steel opposed blade damper, adjustable from the face of the grille, shall be provided with all units.

The manufacturer shall provide published performance data for the grille, which shall be tested in accordance with ANSI/ASHRAE Standard 70 – 2006.

## Performance Data

### Model 67FB45 Fixed Blade Return Grilles and Registers

#### Imperial Units

Listed Duct Size (inches)	Alternate Size (inches)	Core Area (sq. ft.)	Ak Factor	Core Velocity VP Neg. SP	100	200	300	400	500	600	700	800	900	1000
					.001 .003	.002 .014	.006 .031	.010 .055	.016 .086	.022 .124	.031 .168	.040 .220	.050 .278	.062 .344
6 x 6	8 x 4	0.20	0.23	CFM	20	40	60	80	100	120	140	160	180	200
	10 x 4			NC	-	-	-	-	-	19	24	28	32	36
8 x 6	10 x 5	0.28	0.30	CFM	28	56	84	112	140	168	196	224	252	280
	12 x 4			NC	-	-	-	-	15	20	25	29	33	37
10 x 6	12 x 5	0.35	0.37	CFM	35	70	105	140	175	210	245	280	315	350
	16 x 4			NC	-	-	-	-	16	21	26	30	34	38
8 x 8	14 x 5	0.38	0.40	CFM	38	76	114	152	190	228	266	304	342	380
				NC	-	-	-	-	17	22	27	31	35	39
12 x 6	18 x 4	0.42	0.45	CFM	42	84	126	168	210	252	294	336	378	420
				NC	-	-	-	-	18	23	27	32	36	40
12 x 8	16 x 6	0.58	0.59	CFM	58	116	174	232	290	348	406	464	522	580
	24 x 4			NC	-	-	-	-	19	24	28	33	37	41
10 x 10	14 x 7	0.61	0.62	CFM	61	122	183	244	305	366	427	488	549	610
	26 x 4			NC	-	-	-	-	19	24	29	34	37	41
18 x 6	14 x 8	0.65	0.67	CFM	65	130	195	260	325	390	455	520	585	650
	28 x 4			NC	-	-	-	-	15	20	25	30	34	38
12 x 10	16 x 8	0.74	0.74	CFM	74	148	222	296	370	444	518	592	666	740
	24 x 5			NC	-	-	-	-	15	20	25	30	35	39
12 x 12	14 x 10	0.90	0.89	CFM	90	180	270	360	450	540	630	720	810	900
	18 x 8			NC	-	-	-	-	16	21	26	31	36	39
14 x 14	16 x 12	1.24	1.22	CFM	124	248	372	496	620	744	868	992	1116	1240
	20 x 10			NC	-	-	-	-	16	21	26	31	36	40
18 x 12	16 x 14	1.37	1.34	CFM	137	274	411	548	685	822	959	1096	1233	1370
	22 x 10			NC	-	-	-	-	17	22	27	32	37	40
24 x 10	20 x 12	1.52	1.49	CFM	152	304	456	608	760	912	1064	1216	1368	1520
	30 x 8			NC	-	-	-	-	17	22	27	32	38	41
16 x 16	18 x 14	1.64	1.58	CFM	164	328	492	656	820	984	1148	1312	1476	1640
	22 x 12			NC	-	-	-	-	18	23	28	33	38	41
24 x 12	18 x 16	1.85	1.78	CFM	185	370	555	740	925	1110	1295	1480	1665	1850
	20 x 14			NC	-	-	-	-	18	23	28	33	38	41
18 x 18	20 x 16	2.10	2.01	CFM	210	420	630	840	1050	1260	1470	1680	1890	2100
	24 x 14			NC	-	-	-	-	18	23	29	34	39	42
30 x 12	20 x 18	2.32	2.23	CFM	232	464	696	928	1160	1392	1624	1856	2088	2320
	22 x 16			NC	-	-	-	-	19	24	29	34	39	42
20 x 20	24 x 18	2.61	2.48	CFM	261	522	783	1044	1305	1566	1827	2088	2349	2610
	26 x 16			NC	-	-	-	-	19	24	30	35	40	43
22 x 22	24 x 20	3.17	3.00	CFM	317	634	951	1268	1585	1902	2219	2536	2853	3170
	26 x 18			NC	-	-	-	-	20	25	31	35	40	43
30 x 18	24 x 22	3.54	3.34	CFM	354	708	1062	1416	1770	2124	2478	2832	3186	3540
	34 x 16			NC	-	-	-	-	20	25	31	36	41	44
24 x 24	26 x 22	3.79	3.56	CFM	379	758	1137	1516	1895	2274	2653	3032	3411	3790
	28 x 20			NC	-	-	-	-	20	25	31	36	41	44
36 x 18	32 x 20	4.27	4.01	CFM	427	854	1281	1708	2135	2562	2989	3416	3843	4270
	40 x 16			NC	-	-	-	-	21	26	32	37	42	45
26 x 26	28 x 24	4.47	4.19	CFM	447	894	1341	1788	2235	2682	3129	3576	4023	4470
	48 x 14			NC	-	-	-	-	21	26	32	37	42	45
30 x 24	28 x 26	4.77	4.46	CFM	477	954	1431	1908	2385	2862	3339	3816	4293	4770
	32 x 22			NC	-	-	-	-	15	22	27	33	38	42
28 x 28	30 x 26	5.20	4.85	CFM	520	1040	1560	2080	2600	3120	3640	4160	4680	5200
	36 x 22			NC	-	-	-	-	15	22	27	33	38	43
36 x 24	30 x 28	5.74	5.35	CFM	574	1148	1722	2296	2870	3444	4018	4592	5166	5740
	40 x 22			NC	-	-	-	-	15	22	28	34	38	43
30 x 30	34 x 26	5.99	5.57	CFM	599	1198	1797	2396	2995	3594	4193	4792	5391	5990
	38 x 24			NC	-	-	-	-	15	22	28	34	39	43

H

HOSPITAL / CLEANROOM DIFFUSERS



## Performance Data

### Model 67FB45 Fixed Blade Return Grilles and Registers

#### Imperial Units

Listed Duct Size (inches)	Alternate Size (inches)	Core Area (sq. ft.)	Ak Factor	Core Velocity VP Neg. SP	100	200	300	400	500	600	700	800	900	1000
					.001 .003	.002 .014	.006 .031	.010 .055	.016 .086	.022 .124	.031 .168	.040 .220	.050 .278	.062 .344
32 x 32	36 x 30	6.84	6.34	CFM	684	1368	2052	2736	3420	4104	4788	5472	6156	6840
	46 x 22			NC	-	-	16	23	29	35	39	44	48	52
48 x 24	34 x 34	7.69	7.13	CFM	769	1538	2307	3076	3845	4614	5383	6152	6921	7690
	38 x 30			NC	-	-	17	23	29	35	40	44	48	52
36 x 36	38 x 34	8.69	8.02	CFM	869	1738	2607	3476	4345	5214	6083	6952	7821	8690
	46 x 28			NC	-	-	17	24	29	36	41	45	49	53
38 x 38	42 x 34	9.70	8.94	CFM	970	1940	2910	3880	4850	5820	6790	7760	8730	9700
	48 x 30			NC	-	-	18	24	30	36	41	45	49	53
40 x 40	42 x 36	10.77	9.90	CFM	1077	2154	3231	4308	5385	6462	7539	8616	9693	10770
	48 x 32			NC	-	-	18	24	30	36	42	45	50	54
42 x 42	44 x 40	11.89	10.92	CFM	1189	2378	3567	4756	5945	7134	8323	9512	10701	11890
	48 x 36			NC	-	-	19	25	31	37	42	46	50	54
44 x 44	46 x 42	13.07	11.98	CFM	1307	2614	3921	5228	6535	7842	9149	10456	11763	13070
				NC	-	-	19	25	31	37	42	46	50	54
46 x 46		14.30	13.10	CFM	1430	2860	4290	5720	7150	8580	10010	11440	12870	14300
				NC	-	-	20	26	32	38	43	47	51	55
48 x 48		15.59	14.26	CFM	1559	3118	4677	6236	7795	9354	10913	12472	14031	15590
				NC	-	-	20	26	32	38	43	47	51	55

- CFM** - cubic feet per minute
- VP** - velocity pressure - inches w.g.
- Neg. SP** - negative static pressure - inches w.g.
- NC** - Noise Criteria values are based on 10 dB room absorption, re 10<sup>-12</sup> watts.

Core Velocity is in feet per minute.

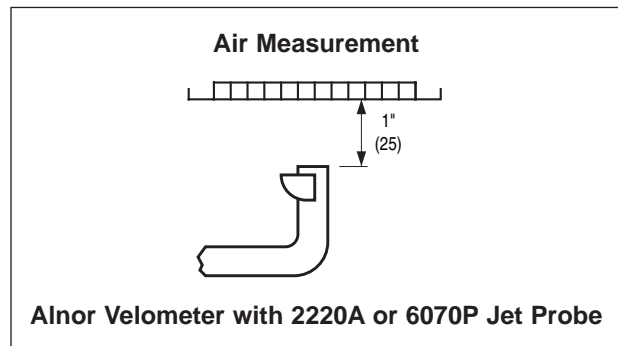
#### Performance Notes:

1. Performance data is for grille with opposed blade damper. Apply the following correction factors for grille without damper:

**Neg. SP** Listed Value x 0.91.

**NC** Listed value - 4.

2. Data derived from tests conducted in accordance with ANSI/ASHRAE Standard 70 - 2006.



#### Airflow Measurements

1. Balancing factors are applicable with or without dampers, providing uniform airflow exists into grille or register.
2. Take velocity readings at a number of locations on the inlet face (a minimum of 4), while positioning probe as shown above, one inch out from the face.
3. Total the various velocity readings and divide by the number of readings taken to arrive at an average inlet velocity (V<sub>k</sub> in FPM).
4. Calculate the airflow (CFM) by multiplying the average velocity by the appropriate Ak factor.  
Airflow (CFM) = Average velocity (V<sub>k</sub>) x Ak.

## Performance Data

### Model 67FB45 Fixed Blade Return Grilles and Registers

#### Metric Units

Listed Duct Size (mm)	Alternate Size (mm)	Core Area (sq. m)	Ak Factor	Core Velocity VP Neg. SP	0.51 0.2 0.7	1.01 0.5 3.5	1.52 1.5 7.7	2.03 2.5 14	2.54 4.0 21	3.05 5.5 31	3.55 7.7 42	4.06 10 55	4.57 12 69	5.08 15 86
152 x 152	203 x 102	.019	21	L/S	9	19	28	38	47	57	66	76	85	94
	254 x 102			NC	-	-	-	-	-	19	24	28	32	36
203 x 152	254 x 127	.026	28	L/S	13	26	40	53	66	79	92	106	119	132
	305 x 102			NC	-	-	-	-	15	20	25	29	33	37
254 x 152	305 x 127	.033	34	L/S	17	33	50	66	83	99	116	132	149	165
	406 x 102			NC	-	-	-	-	16	21	26	30	34	38
203 x 203	356 x 127	.035	37	L/S	18	36	54	72	90	108	126	143	161	179
				NC	-	-	-	-	17	22	27	31	35	39
305 x 152	457 x 102	.039	42	L/S	20	40	59	79	99	119	139	159	178	198
				NC	-	-	-	-	18	23	27	32	36	40
305 x 203	406 x 152	.054	55	L/S	27	55	82	109	137	164	192	219	246	274
	610 x 102			NC	-	-	-	-	19	24	28	33	37	41
254 x 254	356 x 178	.057	58	L/S	29	58	86	115	144	173	202	230	259	288
	660 x 102			NC	-	-	-	-	19	24	29	34	37	41
457 x 152	356 x 203	.060	62	L/S	31	61	92	123	153	184	215	245	276	307
	711 x 102			NC	-	-	-	15	20	25	30	34	38	41
305 x 254	406 x 203	.069	69	L/S	35	70	105	140	175	210	244	279	314	349
	610 x 127			NC	-	-	-	15	20	25	30	35	39	42
305 x 305	356 x 254	.084	83	L/S	42	85	127	170	212	255	297	340	382	425
	610 x 152			NC	-	-	-	16	21	26	31	36	39	42
356 x 356	406 x 305	.115	113	L/S	59	117	176	234	293	351	410	468	527	585
	610 x 203			NC	-	-	-	16	21	26	31	36	40	43
457 x 305	406 x 356	.127	125	L/S	65	129	194	259	323	388	453	517	582	647
	711 x 203			NC	-	-	-	17	22	27	32	37	40	43
610 x 254	508 x 305	.141	139	L/S	72	143	215	287	359	430	502	574	646	717
	762 x 203			NC	-	-	-	17	22	27	32	38	41	44
406 x 406	457 x 356	.152	147	L/S	77	155	232	310	387	464	542	619	697	774
	762 x 203			NC	-	-	-	18	23	28	33	38	41	44
610 x 305	457 x 406	.172	165	L/S	87	175	262	349	437	524	611	698	786	873
	762 x 254			NC	-	-	-	18	23	28	33	38	41	45
457 x 457	508 x 406	.195	187	L/S	99	198	297	396	495	595	694	793	892	991
	711 x 305			NC	-	-	-	18	23	29	34	39	42	45
762 x 305	508 x 457	.216	207	L/S	109	219	328	438	547	657	766	876	985	1095
	660 x 356			NC	-	-	-	19	24	29	34	39	42	46
508 x 508	610 x 457	.242	231	L/S	123	246	369	493	616	739	862	985	1108	1232
	762 x 356			NC	-	-	-	19	24	30	35	40	43	46
559 x 559	610 x 508	.294	279	L/S	150	299	449	598	748	898	1047	1197	1346	1496
	762 x 406			NC	-	-	-	20	25	31	35	40	43	47
762 x 457	610 x 559	.329	310	L/S	167	334	501	668	835	1002	1169	1336	1503	1671
	1016 x 356			NC	-	-	-	20	25	31	36	41	44	48
610 x 610	660 x 559	.352	331	L/S	179	358	537	715	894	1073	1252	1431	1610	1789
	813 x 457			NC	-	-	-	20	25	31	36	41	44	48
914 x 457	813 x 508	.397	373	L/S	202	403	605	806	1008	1209	1411	1612	1814	2015
	1168 x 356			NC	-	-	-	21	26	32	37	42	45	49
660 x 660	711 x 610	.415	390	L/S	211	422	633	844	1055	1266	1477	1688	1898	2109
	1219 x 356			NC	-	-	-	21	26	32	37	42	45	49
762 x 610	711 x 660	.443	415	L/S	225	450	675	900	1125	1351	1576	1801	2026	2251
	914 x 508			NC	-	-	15	22	27	33	38	42	46	50
711 x 711	762 x 660	.483	451	L/S	245	491	736	982	1227	1472	1718	1963	2208	2454
	1016 x 508			NC	-	-	15	22	27	33	38	43	46	50
914 x 610	762 x 711	.533	497	L/S	271	542	813	1083	1354	1625	1896	2167	2438	2709
	1118 x 508			NC	-	-	15	22	28	34	38	43	47	51
762 x 762	864 x 660	.556	518	L/S	283	565	848	1131	1413	1696	1979	2261	2544	2827
	1219 x 508			NC	-	-	15	22	28	34	39	43	47	51

## Performance Data

### Model 67FB45 Fixed Blade Return Grilles and Registers

#### Metric Units

Listed Duct Size (mm)	Alternate Size (mm)	Core Area (sq. m)	Ak Factor	Core Velocity VP Neg. SP	0.51	1.01	1.52	2.03	2.54	3.05	3.55	4.06	4.57	5.08
					0.2	0.5	1.5	2.5	4.0	5.5	7.7	10	12	15
813 x 813	914 x 762	.635	589	L/S	323	646	968	1291	1614	1937	2259	2582	2905	3228
	1168 x 559			NC	-	-	16	23	29	35	39	44	48	52
1219 x 610	864 x 864	.714	663	L/S	363	726	1089	1452	1814	2177	2540	2903	3266	3629
	965 x 762			NC	-	-	17	23	29	35	40	44	48	52
914 x 914	965 x 864	.807	746	L/S	410	820	1230	1640	2050	2460	2871	3281	3691	4101
	1168 x 711			NC	-	-	17	24	29	36	41	45	49	53
965 x 965	1067 x 864	.901	831	L/S	458	915	1373	1831	2289	2746	3204	3662	4120	4577
	1219 x 762			NC	-	-	18	24	30	36	41	45	49	53
1016 x 1016	1067 x 914	1.00	920	L/S	508	1016	1525	2033	2541	3049	3558	4066	4574	5082
	1219 x 813			NC	-	-	18	24	30	36	42	45	50	54
1067 x 1067	1118 x 864	1.10	1015	L/S	561	1122	1683	2244	2805	3367	3928	4489	5050	5611
	1219 x 914			NC	-	-	19	25	31	37	42	46	50	54
1118 x 1118	1168 x 965	1.21	1114	L/S	617	1234	1850	2467	3084	3701	4317	4934	5551	6168
	1219 x 864			NC	-	-	19	25	31	37	42	46	50	54
1168 x 1168	1168 x 1067	1.33	1218	L/S	675	1350	2024	2699	3374	4049	4724	5399	6073	6748
				NC	-	-	20	26	32	38	43	47	51	55
1219 x 1219		1.45	1326	L/S	736	1471	2207	2943	3678	4414	5150	5886	6621	7357
				NC	-	-	20	26	32	38	43	47	51	55

**L/S** - litres per second

**VP** - velocity pressure - Pa

**Neg. SP** - negative static pressure - Pa

**NC** - Noise Criteria values are based on 10 dB room absorption, re 10<sup>-12</sup> watts.

Core Velocity is in meters per second.

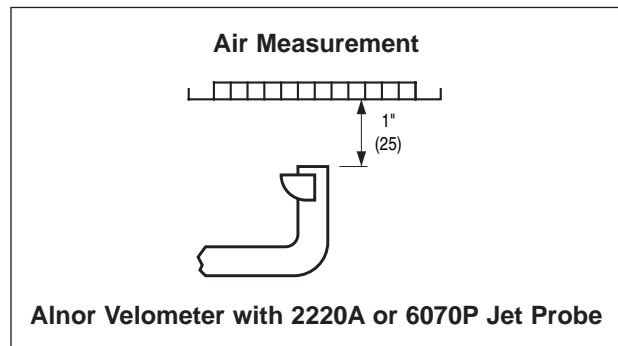
#### Performance Notes:

1. Performance data is for grille with opposed blade damper. Apply the following correction factors for grille without damper:

**Neg. SP** Listed Value x 0.91.

**NC** Listed value - 4.

2. Data derived from tests conducted in accordance with ANSI/ASHRAE Standard 70 - 2006.



#### Airflow Measurements

- Balancing factors are applicable with or without dampers, providing uniform airflow exists into grille or register.
- Take velocity readings at a number of locations on the inlet face (a minimum of 4), while positioning probe as shown above, one inch out from the face.
- Total the various velocity readings and divide by the number of readings taken to arrive at an average inlet velocity (V<sub>k</sub> in m/s).
- Calculate the airflow (L/S) by multiplying the average velocity by the appropriate Ak factor.  
Airflow (L/S) = Average velocity (V<sub>k</sub>) x Ak.

## STAINLESS STEEL RETURN GRILLES AND REGISTERS

- LOUVERED FACE
- FIXED 45° BLADE  
DEFLECTION
- 1/2" (13) SPACING
- 1/4 TURN FASTENERS

**Model:  
67FB55**

- Suffix '-O' adds a stainless steel  
opposed blade damper



**Model 67FB55 Return Grilles and Registers** have fixed horizontal blades (parallel to width/first specified dim.) spaced on 1/2" (13) centers with 45° straight face deflection. The grille core is secured to the face of the outer frame with stainless steel 1/4 turn fasteners allowing quick removal for cleaning or changing the filters.

The streamlined blades and open spacing maintain a minimum effective free area of 40%, which minimizes intake velocity, reduces inlet pressure and provides quiet operation. Deflected blade grilles installed in a low or high side wall location are vision-proof with the grille blade deflection facing away from the line of sight.

Stainless steel grilles and registers are well suited for applications involving corrosive environments, high humidity or frequent cleaning with strong chemicals. Typical projects include hospitals, cleanrooms, laboratories, industrial and manufacturing facilities.

### FEATURES:

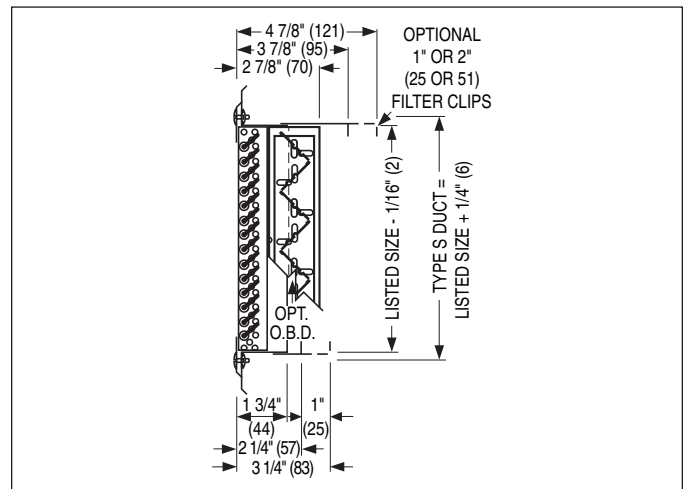
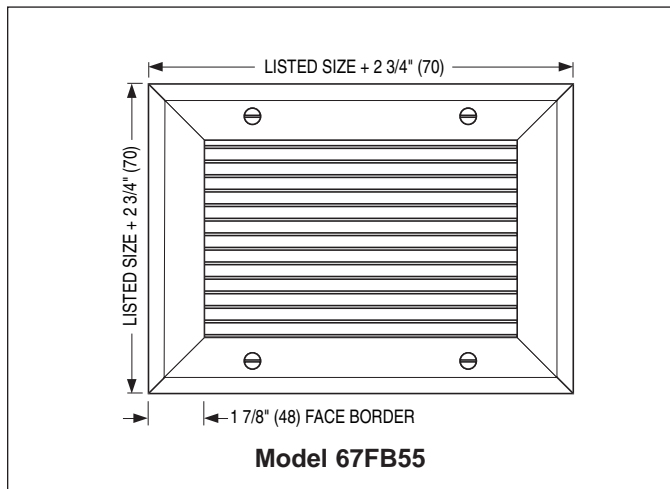
- Type 304 stainless steel construction.
- Grille frame and the outer mounting frame combine to form an architecturally pleasing 1 7/8" (48) overall face border.
- Standard fastening is Type A countersunk screw holes on the inside neck of the outer frame. Grille core is secured to the outer frame with stainless steel 1/4 turn fasteners.
- Streamlined shaped roll-formed blades on 1/2" (13) centers. Blades positively hold deflection setting under all conditions of velocity and pressure.
- Integral dampers - roll-formed stainless steel blades. Opposed blade design with a screwdriver operator.
- Available in sizes from 4" x 4" to 60" x 48" (102 x 102 to 1524 x 1219).
- Contact factory for availability of other frame/core combinations.

**Material:** Type 304 Stainless Steel construction.

**Finish:** #3 Satin Polished finish is standard. Other finishes are available.

### Options:

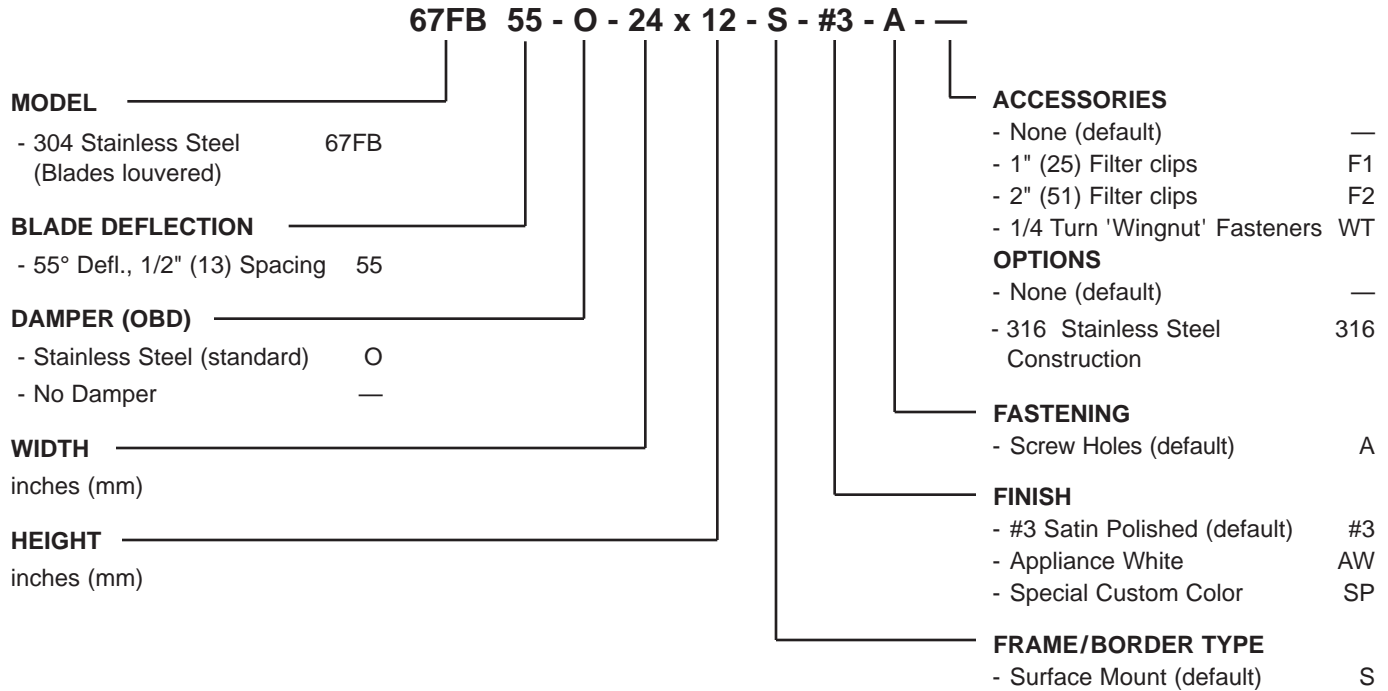
- 316 Stainless Steel construction.
- AW Appliance White finish.
- F1 1" (25) Filter clips.
- F2 2" (51) Filter clips.
- WT 1/4 Turn 'Wingnut' Fasteners.



## HOW TO SPECIFY OR TO ORDER

(Show complete Model Number and Size, unless "Default" is desired).

### Stainless Steel Fixed Return Grilles and Registers – 1/2" (13) Blade Spacing



**HOSPITAL / CLEANROOM DIFFUSERS**

**Notes:**

1. These grilles feature a subframe as standard for applications which may require frequent removal for cleaning. You must specify filter clips for filter applications.
2. For Frame/Border Type S, duct size is listed + 1/4" (6).
3. Core fastening: Standard core is secured with four 1/4 turn slotted fasteners.

**SUGGESTED SPECIFICATION:**

Furnish and install **Nailor Model 67FB55 Return Grilles** of the size and type shown on the plans and air distribution schedules. The grilles shall be constructed entirely from 304 stainless steel (316 optional). Streamlined shaped roll-formed blades shall be fixed on 1/2" (13) centers. The grille core shall be secured to the outer frame with stainless steel 1/4 turn fasteners to allow for complete removal and access to the interior for cleaning. All exposed surfaces shall have a #3 satin polished finish (optional finishes are available).

(Optional) A stainless steel opposed blade damper, adjustable from the face of the grille, shall be provided with all units.

The manufacturer shall provide published performance data for the grille, which shall be tested in accordance with ANSI/ASHRAE Standard 70 – 2006.

## Performance Data

### Model 67FB55 Fixed Blade Return Grilles and Registers

#### Imperial Units

Listed Duct Size (inches)	Alternate Size (inches)	Core Area (sq. ft.)	Ak Factor	Core Velocity VP Neg. SP	100	200	300	400	500	600	700	800	900	1000
					.001 .005	.002 .018	.006 .041	.010 .073	.016 .114	.022 .164	.031 .223	.040 .292	.050 .369	.062 .456
6 x 6	8 x 4 10 x 4	0.20	0.23	CFM	20	40	60	80	100	120	140	160	180	200
				NC	-	-	-	-	16	21	26	30	34	38
8 x 6	10 x 5 12 x 4	0.28	0.30	CFM	28	56	84	112	140	168	196	224	252	280
				NC	-	-	-	-	17	22	27	31	35	39
10 x 6	12 x 5 16 x 4	0.35	0.37	CFM	35	70	105	140	175	210	245	280	315	350
				NC	-	-	-	-	18	23	28	32	36	40
8 x 8	14 x 5	0.38	0.40	CFM	38	76	114	152	190	228	266	304	342	380
				NC	-	-	-	-	19	24	29	33	37	41
12 x 6	18 x 4	0.42	0.45	CFM	42	84	126	168	210	252	294	336	378	420
				NC	-	-	-	15	20	25	29	34	38	42
12 x 8	16 x 6 24 x 4	0.58	0.59	CFM	58	116	174	232	290	348	406	464	522	580
				NC	-	-	-	16	21	26	30	35	39	43
10 x 10	14 x 7 26 x 4	0.61	0.62	CFM	61	122	183	244	305	366	427	488	549	610
				NC	-	-	-	16	21	26	31	36	39	43
18 x 6	14 x 8 28 x 4	0.65	0.67	CFM	65	130	195	260	325	390	455	520	585	650
				NC	-	-	-	17	22	27	32	36	40	43
12 x 10	16 x 8 24 x 5	0.74	0.74	CFM	74	148	222	296	370	444	518	592	666	740
				NC	-	-	-	17	22	27	32	37	41	44
12 x 12	14 x 10 18 x 8	0.90	0.89	CFM	90	180	270	360	450	540	630	720	810	900
				NC	-	-	-	18	23	28	33	38	41	44
14 x 14	16 x 12 20 x 10	1.24	1.22	CFM	124	248	372	496	620	744	868	992	1116	1240
				NC	-	-	-	18	23	28	33	38	42	45
18 x 12	16 x 14 22 x 10	1.37	1.34	CFM	137	274	411	548	685	822	959	1096	1233	1370
				NC	-	-	15	20	25	30	35	40	43	46
24 x 10	20 x 12 30 x 8	1.52	1.49	CFM	152	304	456	608	760	912	1064	1216	1368	1520
				NC	-	-	15	20	25	30	35	41	44	47
16 x 16	18 x 14 22 x 12	1.64	1.58	CFM	164	328	492	656	820	984	1148	1312	1476	1640
				NC	-	-	16	21	26	31	36	41	44	47
24 x 12	18 x 16 20 x 14	1.85	1.78	CFM	185	370	555	740	925	1110	1295	1480	1665	1850
				NC	-	-	16	21	26	31	36	41	44	48
18 x 18	20 x 16 24 x 14	2.10	2.01	CFM	210	420	630	840	1050	1260	1470	1680	1890	2100
				NC	-	-	16	21	26	32	37	42	45	48
30 x 12	20 x 18 22 x 16	2.32	2.23	CFM	232	464	696	928	1160	1392	1624	1856	2088	2320
				NC	-	-	16	22	27	32	37	42	45	49
20 x 20	24 x 18 26 x 16	2.61	2.48	CFM	261	522	783	1044	1305	1566	1827	2088	2349	2610
				NC	-	-	16	22	27	33	38	43	46	49
22 x 22	24 x 20 26 x 18	3.17	3.00	CFM	317	634	951	1268	1585	1902	2219	2536	2853	3170
				NC	-	-	17	23	28	34	38	43	46	50
30 x 18	24 x 22 34 x 16	3.54	3.34	CFM	354	708	1062	1416	1770	2124	2478	2832	3186	3540
				NC	-	-	17	23	28	34	39	44	47	51
24 x 24	26 x 22 28 x 20	3.79	3.56	CFM	379	758	1137	1516	1895	2274	2653	3032	3411	3790
				NC	-	-	17	23	28	34	39	44	47	51
36 x 18	32 x 20 40 x 16	4.27	4.01	CFM	427	854	1281	1708	2135	2562	2989	3416	3843	4270
				NC	-	-	18	25	29	36	41	46	49	53
26 x 26	28 x 24 48 x 14	4.47	4.19	CFM	447	894	1341	1788	2235	2682	3129	3576	4023	4470
				NC	-	-	18	25	30	36	41	46	49	53
30 x 24	28 x 26 32 x 22	4.77	4.46	CFM	477	954	1431	1908	2385	2862	3339	3816	4293	4770
				NC	-	-	19	26	31	37	42	46	50	54
28 x 28	30 x 26 36 x 22	5.20	4.85	CFM	520	1040	1560	2080	2600	3120	3640	4160	4680	5200
				NC	-	-	19	26	31	37	42	47	50	54
36 x 24	30 x 28 40 x 22	5.74	5.35	CFM	574	1148	1722	2296	2870	3444	4018	4592	5166	5740
				NC	-	-	19	26	32	38	42	47	51	55
30 x 30	34 x 26 38 x 24	5.99	5.57	CFM	599	1198	1797	2396	2995	3594	4193	4792	5391	5990
				NC	-	-	19	26	32	38	43	47	51	55

HOSPITAL / CLEANROOM DIFFUSERS

## Performance Data

### Model 67FB55 Fixed Blade Return Grilles and Registers

#### Imperial Units

Listed Duct Size (inches)	Alternate Size (inches)	Core Area (sq. ft.)	Ak Factor	Core Velocity VP	Neg. SP									
					100	200	300	400	500	600	700	800	900	1000
32 x 32	36 x 30 46 x 22 38 x 28	6.84	6.34	CFM	684	1368	2052	2736	3420	4104	4788	5472	6156	6840
				NC	-	15	20	27	33	39	43	48	52	56
48 x 24	34 x 34 38 x 30 36 x 32 48 x 28	7.69	7.13	CFM	769	1538	2307	3076	3845	4614	5383	6152	6921	7690
				NC	-	16	21	27	33	39	44	48	52	56
36 x 36	38 x 34 46 x 28 42 x 30 48 x 26	8.69	8.02	CFM	869	1738	2607	3476	4345	5214	6083	6952	7821	8690
				NC	-	17	21	28	33	40	45	49	53	57
38 x 38	42 x 34 48 x 30 44 x 34	9.70	8.94	CFM	970	1940	2910	3880	4850	5820	6790	7760	8730	9700
				NC	-	18	22	28	34	40	45	49	53	57
40 x 40	42 x 36 48 x 32 46 x 34	10.77	9.90	CFM	1077	2154	3231	4308	5385	6462	7539	8616	9693	10770
				NC	-	18	23	29	35	41	47	50	55	59
42 x 42	44 x 40 48 x 36 46 x 38	11.89	10.92	CFM	1189	2378	3567	4756	5945	7134	8323	9512	10701	11890
				NC	-	19	24	30	36	42	47	51	55	59
44 x 44	46 x 42	13.07	11.98	CFM	1307	2614	3921	5228	6535	7842	9149	10456	11763	13070
				NC	-	19	24	30	36	42	47	51	55	59
46 x 46		14.30	13.10	CFM	1430	2860	4290	5720	7150	8580	10010	11440	12870	14300
				NC	15	20	25	31	37	43	48	52	56	60
48 x 48		15.59	14.26	CFM	1559	3118	4677	6236	7795	9354	10913	12472	14031	15590
				NC	15	20	25	31	37	43	48	52	56	60

- CFM** - cubic feet per minute
- VP** - velocity pressure - inches w.g.
- Neg. SP** - negative static pressure - inches w.g.
- NC** - Noise Criteria values are based on 10 dB room absorption, re 10<sup>-12</sup> watts.

Core Velocity is in feet per minute.

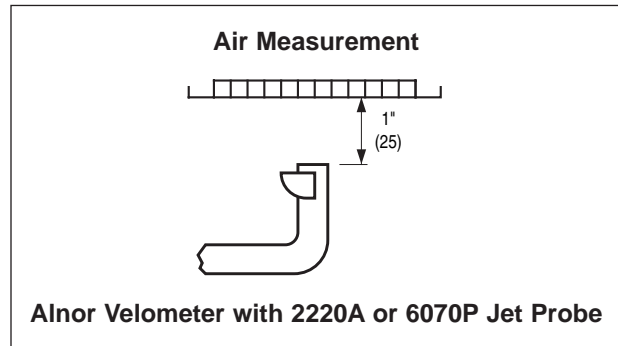
#### Performance Notes:

1. Performance data is for grille with opposed blade damper. Apply the following correction factors for grille without damper:

**Neg. SP** Listed Value x 0.91.

**NC** Listed value - 4.

2. Data derived from tests conducted in accordance with ANSI/ASHRAE Standard 70 - 2006.



#### Airflow Measurements

1. Balancing factors are applicable with or without dampers, providing uniform airflow exists into grille or register.
2. Take velocity readings at a number of locations on the inlet face (a minimum of 4), while positioning probe as shown above, one inch out from the face.
3. Total the various velocity readings and divide by the number of readings taken to arrive at an average inlet velocity (Vk in FPM).
4. Calculate the airflow (CFM) by multiplying the average velocity by the appropriate Ak factor.  
Airflow (CFM) = Average velocity (Vk) x Ak.

## Performance Data

### Model 67FB55 Fixed Blade Return Grilles and Registers

#### Metric Units

Listed Duct Size (mm)	Alternate Size (mm)	Core Area (sq. m)	Ak Factor	Core Velocity VP Neg. SP	0.51	1.01	1.52	2.03	2.54	3.05	3.55	4.06	4.57	5.08
					0.2	0.5	1.5	2.5	4.0	5.5	7.7	10	12	15
					0.7	3.5	7.7	14	21	31	42	55	69	86
152 x 152	203 x 102	.019	21	L/S	9	19	28	38	47	57	66	76	85	94
	254 x 102			NC	-	-	-	-	16	21	26	30	34	38
203 x 152	254 x 127	.026	28	L/S	13	26	40	53	66	79	92	106	119	132
	305 x 102			NC	-	-	-	-	17	22	27	31	35	39
254 x 152	305 x 127	.033	34	L/S	17	33	50	66	83	99	116	132	149	165
	406 x 102			NC	-	-	-	-	18	23	28	32	36	40
203 x 203	356 x 127	.035	37	L/S	18	36	54	72	90	108	126	143	161	179
				NC	-	-	-	-	19	24	29	33	37	41
305 x 152	457 x 102	.039	42	L/S	20	40	59	79	99	119	139	159	178	198
				NC	-	-	-	15	20	25	29	34	38	42
305 x 203	406 x 152	.054	55	L/S	27	55	82	109	137	164	192	219	246	274
	610 x 102			NC	-	-	-	16	21	26	30	35	39	43
254 x 254	356 x 178	.057	58	L/S	29	58	86	115	144	173	202	230	259	288
	660 x 102			NC	-	-	-	16	21	26	31	36	39	43
457 x 152	356 x 203	.060	62	L/S	31	61	92	123	153	184	215	245	276	307
	711 x 102			NC	-	-	-	17	22	27	32	36	40	43
305 x 254	406 x 203	.069	69	L/S	35	70	105	140	175	210	244	279	314	349
	610 x 127			NC	-	-	-	17	22	27	32	37	41	44
305 x 305	356 x 254	.084	83	L/S	42	85	127	170	212	255	297	340	382	425
	610 x 152			NC	-	-	-	18	23	28	33	38	41	44
356 x 356	406 x 305	.115	113	L/S	59	117	176	234	293	351	410	468	527	585
	610 x 203			NC	-	-	-	18	23	28	33	38	42	45
457 x 305	406 x 356	.127	125	L/S	65	129	194	259	323	388	453	517	582	647
	610 x 203			NC	-	-	15	20	25	30	35	40	43	46
610 x 254	508 x 305	.141	139	L/S	72	143	215	287	359	430	502	574	646	717
	762 x 203			NC	-	-	15	20	25	30	35	41	44	47
406 x 406	457 x 356	.152	147	L/S	77	155	232	310	387	464	542	619	697	774
	762 x 203			NC	-	-	16	21	26	31	36	41	44	47
610 x 305	457 x 406	.172	165	L/S	87	175	262	349	437	524	611	698	786	873
	762 x 254			NC	-	-	16	21	26	31	36	41	44	48
457 x 457	508 x 406	.195	187	L/S	99	198	297	396	495	595	694	793	892	991
	711 x 305			NC	-	-	16	21	26	32	37	42	45	48
762 x 305	508 x 457	.216	207	L/S	109	219	328	438	547	657	766	876	985	1095
	660 x 356			NC	-	-	16	22	27	32	37	42	45	49
508 x 508	610 x 457	.242	231	L/S	123	246	369	493	616	739	862	985	1108	1232
	762 x 356			NC	-	-	16	22	27	33	38	43	46	49
559 x 559	610 x 508	.294	279	L/S	150	299	449	598	748	898	1047	1197	1346	1496
	762 x 406			NC	-	-	17	23	28	34	38	43	46	50
762 x 457	610 x 559	.329	310	L/S	167	334	501	668	835	1002	1169	1336	1503	1671
	1016 x 356			NC	-	-	17	23	28	34	39	44	47	51
610 x 610	660 x 559	.352	331	L/S	179	358	537	715	894	1073	1252	1431	1610	1789
	813 x 457			NC	-	-	17	23	28	34	39	44	47	51
914 x 457	813 x 508	.397	373	L/S	202	403	605	806	1008	1209	1411	1612	1814	2015
	1168 x 356			NC	-	-	18	25	29	36	41	46	49	53
660 x 660	711 x 610	.415	390	L/S	211	422	633	844	1055	1266	1477	1688	1898	2109
	1219 x 356			NC	-	-	18	25	30	36	41	46	49	53
762 x 610	711 x 660	.443	415	L/S	225	450	675	900	1125	1351	1576	1801	2026	2251
	914 x 457			NC	-	-	19	26	31	37	42	46	50	54
711 x 711	762 x 660	.483	451	L/S	245	491	736	982	1227	1472	1718	1963	2208	2454
	1016 x 508			NC	-	-	19	26	31	37	42	47	50	54
914 x 610	762 x 711	.533	497	L/S	271	542	813	1083	1354	1625	1896	2167	2438	2709
	1118 x 508			NC	-	-	19	26	32	38	42	47	51	55
762 x 762	864 x 660	.556	518	L/S	283	565	848	1131	1413	1696	1979	2261	2544	2827
	1219 x 508			NC	-	-	19	26	32	38	43	47	51	55

HOSPITAL / CLEANROOM DIFFUSERS



## Performance Data

### Model 67FB55 Fixed Blade Return Grilles and Registers

#### Metric Units

Listed Duct Size (mm)	Alternate Size (mm)	Core Area (sq. m)	Ak Factor	Core Velocity VP Neg. SP	0.51 0.2 0.7	1.01 0.5 3.5	1.52 1.5 7.7	2.03 2.5 14	2.54 4.0 21	3.05 5.5 31	3.55 7.7 42	4.06 10 55	4.57 12 69	5.08 15 86
<b>813 x 813</b>	914 x 762 1168 x 559	.635	589	L/S	<b>323</b>	<b>646</b>	<b>968</b>	<b>1291</b>	<b>1614</b>	<b>1937</b>	<b>2259</b>	<b>2582</b>	<b>2905</b>	<b>3228</b>
	965 x 711			NC	–	15	20	27	33	39	43	48	52	56
<b>1219 x 610</b>	864 x 864 965 x 762	.714	663	L/S	<b>363</b>	<b>726</b>	<b>1089</b>	<b>1452</b>	<b>1814</b>	<b>2177</b>	<b>2540</b>	<b>2903</b>	<b>3266</b>	<b>3629</b>
	914 x 813 1219 x 711			NC	–	16	21	27	33	39	44	48	52	56
<b>914 x 914</b>	965 x 864 1168 x 711	.807	746	L/S	<b>410</b>	<b>820</b>	<b>1230</b>	<b>1640</b>	<b>2050</b>	<b>2460</b>	<b>2871</b>	<b>3281</b>	<b>3691</b>	<b>4101</b>
	1067 x 762 1219 x 660			NC	–	17	21	28	33	40	45	49	53	57
<b>965 x 965</b>	1067 x 864 1219 x 762	.901	831	L/S	<b>458</b>	<b>915</b>	<b>1373</b>	<b>1831</b>	<b>2289</b>	<b>2746</b>	<b>3204</b>	<b>3662</b>	<b>4120</b>	<b>4577</b>
	1118 x 864			NC	–	18	22	28	34	40	45	49	53	57
<b>1016 x 1016</b>	1067 x 914 1219 x 813	1.00	920	L/S	<b>508</b>	<b>1016</b>	<b>1525</b>	<b>2033</b>	<b>2541</b>	<b>3049</b>	<b>3558</b>	<b>4066</b>	<b>4574</b>	<b>5082</b>
	1168 x 864			NC	–	18	23	29	35	41	47	50	55	59
<b>1067 x 1067</b>	1118 x 1016 1219 x 914	1.10	1015	L/S	<b>561</b>	<b>1122</b>	<b>1683</b>	<b>2244</b>	<b>2805</b>	<b>3367</b>	<b>3928</b>	<b>4489</b>	<b>5050</b>	<b>5611</b>
	1168 x 965			NC	–	19	24	30	36	42	47	51	55	59
<b>1118 x 1118</b>	1168 x 1067	1.21	1114	L/S	<b>617</b>	<b>1234</b>	<b>1850</b>	<b>2467</b>	<b>3084</b>	<b>3701</b>	<b>4317</b>	<b>4934</b>	<b>5551</b>	<b>6168</b>
				NC	–	19	24	30	36	42	47	51	55	59
<b>1168 x 1168</b>		1.33	1218	L/S	<b>675</b>	<b>1350</b>	<b>2024</b>	<b>2699</b>	<b>3374</b>	<b>4049</b>	<b>4724</b>	<b>5399</b>	<b>6073</b>	<b>6748</b>
				NC	15	20	25	31	37	43	48	52	56	60
<b>1219 x 1219</b>		1.45	1326	L/S	<b>736</b>	<b>1471</b>	<b>2207</b>	<b>2943</b>	<b>3678</b>	<b>4414</b>	<b>5150</b>	<b>5886</b>	<b>6621</b>	<b>7357</b>
				NC	15	20	25	31	37	43	48	52	56	60

**L/S** - litres per second

**VP** - velocity pressure - Pa

**Neg. SP** - negative static pressure - Pa

**NC** - Noise Criteria values are based on 10 dB room absorption, re 10<sup>-12</sup> watts.

Core Velocity is in meters per second.

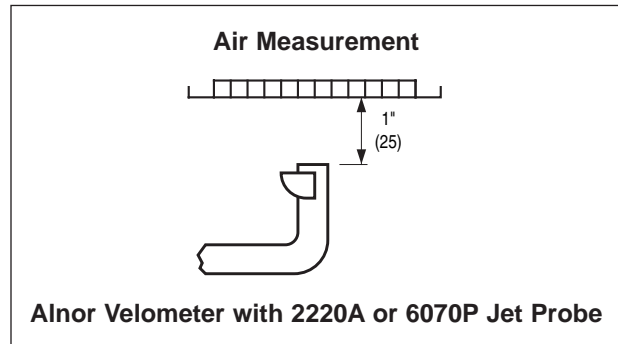
#### Performance Notes:

1. Performance data is for grille with opposed blade damper. Apply the following correction factors for grille without damper:

**Neg. SP** Listed Value x 0.91.

**NC** Listed value – 4.

2. Data derived from tests conducted in accordance with ANSI/ASHRAE Standard 70 – 2006.



#### Airflow Measurements

- Balancing factors are applicable with or without dampers, providing uniform airflow exists into grille or register.
- Take velocity readings at a number of locations on the inlet face (a minimum of 4), while positioning probe as shown above, one inch out from the face.
- Total the various velocity readings and divide by the number of readings taken to arrive at an average inlet velocity (V<sub>k</sub> in m/s).
- Calculate the airflow (L/S) by multiplying the average velocity by the appropriate Ak factor.  
Airflow (L/S) = Average velocity (V<sub>k</sub>) x Ak.



# HOSPITAL / CLEANROOM DIFFUSERS ENGINEERING

## OPERATING ROOM AIR DISTRIBUTION: ENGINEERING GUIDELINES

### INTRODUCTION

In the United States there are approximately 46.5 million surgical procedures performed each year (1996 Data published November 1998 by CDC/National Center for Health Statistics). An analysis of 1.16 million surgical procedures reported 29.4 thousand (2.54%) Surgical Site Infections (SSI's) (Data Summary from January 1992 – June 2001 CDC/National Nosocomial Infections Surveillance System Report published August 2001).

While 2.54% may appear to be a relatively small and acceptable incidence of surgical site infection we must consider a broader scope and allow some assumptions to fully understand its true implications and effect on our lives and those around us. When we look at the total number of procedures itself we must realize that in 1996 the United States population was approximately 264 million people. Therefore, there is an overall average of 17.6% percent of Americans (1 in every 5.7 people) that have some kind of surgical procedure performed each year. If we further expand this and assume the average lifespan to be 75 years we see that the average person will have 13.2 surgical procedures performed in their lifetime. With a 2.54% average incidence of infection each time, this means that over a lifetime at current rates the average American actually has a 28.8% chance (1 in every 3.5 people) of getting a surgical site infection.

A 1992 analysis showed that each SSI resulted in an additional 7.3 postoperative hospital days adding \$3,152 in extra charges. With almost 1.2 million incidences of SSI each year that adds up to a truly staggering figure of over 3.7 billion dollars each year. For the case of a typical operating room we find that the average time for a procedure is about 2.1 hours. As most operating rooms are available for eight hours a day, this results in approximately 3 operations per day per room. This works out to 750 procedures per year resulting in an average of 19 cases of SSI per year with an extra annual cost of \$60,000 per operating room.

When we examine the nature of these surgical site infections we find that approximately two thirds are confined to the incision, and one third involved organs or spaces accessed during the operation (deep SSI's). Data is not available on the total number of deaths each year caused by SSI, however when patients with SSI died, 77% of the deaths were reported to be related to the infection and the majority (93%) were serious infections involving organs or spaces accessed during the operation (deep SSI's) (the mortality rate is currently estimated to be between 1 and 3%, or 12,000 – 36,000 people per year).

Despite continuing advances in medical science surgical site infections remain a substantial cause of morbidity

and mortality among hospitalized patients. There are many emerging trends in the healthcare environment which are contributing to this. One such trend is the evolution of treatment resistant bacteria. The most common cause of SSI is a bacteria called *Staphylococcus aureus* accounting for approximately 20% of cases. Before the 1950's it was treated effectively with penicillin, however it developed a resistance to penicillin and doctors had to switch to methicillin. By the 1970's it had developed a resistance to methicillin causing a switch to vancomycin. In the last few years the first strains resistant to vancomycin have been detected and doctors and researchers are now actively searching for a new alternative treatment and are implementing new guidelines for its prevention and control. It is important to note that as various pathogens develop resistance to standard treatment, some much faster than *Staphylococcus aureus*, the doses and types of medication get stronger. However as this occurs the resulting side effects, treatment time and costs also increase.

Another emerging trend in healthcare is the increased numbers of immunocompromised patients and immune suppressing treatments. This includes an increased number of patients who are elderly and/or have a wide variety of chronic, debilitating or immunocompromising underlying diseases. Examples of this include increasing numbers of HIV/AIDS patients, tuberculosis patients and cancer patients undergoing chemotherapy. There are also increased numbers of prosthetic implant, bone marrow transplant and organ transplant operations performed where the immune system is intentionally suppressed. Also, the hospital environment itself is changing with shorter stays for most procedures and increased numbers of outpatient or ambulatory surgeries being performed. The result is that actual hospitalized patients are less healthy now than ever before.

The best way to treat an infection is to stop it from occurring in the first place.

There is very little information available as to the effects of operating room ventilation alone on the rates of SSI's. Many studies have been done, however, they typically involve several different factors and only specific types of operations, therefore not allowing broad application of their results. One such study involved the use of ultraclean air (HEPA filtered) supplied through laminar flow ceiling diffusers. This multicenter study examined 8,000 total hip and knee replacements and found that the rate of deep SSI's decreased from 3.4% to 1.6% when ultraclean air was used. While this is a dramatic decrease we cannot assume that all procedures will show similar results, as different procedures and patient groups have different susceptibility to airborne infections and many other factors could easily confound the results. The outcome of this, which is somewhat surprising with the studies available, is that most medical literature does not fully endorse the use of, or even recommend the implementation of so called specialty ventilation systems.

It is truly incredible to note that our standard desktop computers are manufactured in an environment with air much cleaner than that in which we are operated on.

We must now ask ourselves how we can apply sound engineering principles in the design of the operating room HVAC system to reduce the incidence of infection while providing our clients with a practical, efficient and cost effective design solution.

## SYSTEM SELECTION

Selecting the proper air distribution system for the modern operating room can be a very confusing process. There are a wide variety of sources of conflicting information, studies and papers on the subject. Over the past 50 years there have been many attempts to justify particular systems and many manufacturers have made claims as to the suitability and superiority of their particular system with little or no consensus on the subject of whether a specialty system should exist at all. While some authorities believe clean air systems are not necessary, recent testing and various studies have shown a reduction in infection rates and, as far as we are aware, no studies have shown, and common sense would agree, that supplying clean or ultra clean air in a directed fashion within the operating room is in any way detrimental to the patient. The modern hospital environment is rapidly changing; with the increased numbers of elderly and/or immunocompromised patients and new treatment resistant diseases, the prevention of infection is becoming more important than ever. When one considers the financial costs associated with surgical site infections due to increased hospital stays, treatments, and potential litigation, not to mention increased mortality rates, it seems obvious that if the system prevents even one infection over its lifetime it is well worth the minor cost associated with it (especially to that one patient). It is also important to note that a standard Steri-System module generally costs much less than the operating table itself, while providing much greater benefit to the patient.

The major source of microbiological particles in the operating room is from the surgical staff and is proportional to the number of people moving about in the room. Therefore the goal of any system has to be the isolation of the patient from the microbiological particles produced by the surgical team and the support staff in the operating room.

## TYPES OF SYSTEMS

There are three basic types of specialty systems:

### VERTICAL LAMINAR FLOW

Probably the oldest and most common type in use today, it consists of an array of laminar flow diffusers or panels located over the operating room table. It has been used extensively in orthopedic and other very critical areas. This system works very well if the supply diffuser area is

very large compared to the work area, however this requires very high airflow rates typically in the range of 50 – 400 ACH (refer to Figure 1). One such test with ventilation rates exceeding 60 ACH, HEPA filtration and with the surgical team wearing special clothing resulted in extremely low concentrations of microbial particles  $0.057 \text{ cfu/ft}^3$  ( $2 \text{ cfu/m}^3$ ) ( $\text{cfu} = \text{colony forming units}$ ). Much higher concentrations,  $2.8 \text{ cfu/ft}^3$  ( $100 \text{ cfu/m}^3$ ), considered by many to be unacceptable, have been measured at 15 – 17 ACH. Many factors will influence these measurements (refer to System Testing section below). Objects and heat dissipation from people and lamps, and door openings/closings can disturb the flow field. The laminar airflow itself will tend to coalesce into a much smaller cross sectional area as it leaves the diffusers or ceiling. This results in a much smaller area of coverage than generally anticipated. The general idea is to cover the patient and surgical staff, however, the airflow can coalesce on as much as a  $45^\circ$  angle in from the ceiling depending on temperature. The result is that for a 6 ft x 6 ft (2 m x 2 m) clean zone containing the table and surgical staff, the actual area of the diffusers at the ceiling may be 18 ft x 18 ft (6 m x 6 m) for proper containment (refer to Figures 2 and 3). Methods to improve the containment of the laminar airflow at reduced volumes include the use of hanging curtains and ceiling hung deflecting walls or partitions, most of which are not popular with surgeons and OR personnel (refer to Figure 4). Care must be taken to select and layout the diffusers with as little space between them as possible, to reduce the induction of contaminated room air into the airstream and to avoid stagnant or low velocity areas that will trap contaminants. Selecting a complete vertical laminar flow system requires precise knowledge of the expected loads and the resultant temperature differential between the supply air and the space temperature. With laminar flow from the ceiling the air velocity will be very dependent on the temperature of the air. During cooling, the center portion will actually accelerate due to the mass effect of the cold air. Therefore the velocity on the patient can be substantially higher than the actual outlet velocity. Excessive air velocity on the wound site can cause a drying effect on the wound (tissue) and lead to possible complications. Also hypothermia can be caused due to the evaporative cooling effect.

There are no specific recommendations for this type of system as very few people agree on the specifics for testing and the results are also affected by the total area of the diffusers, total air volume, the distance between them (2 diffusers side by side will throw the air further) and the temperature differential. If the temperature differential is very small,  $< 10^\circ\text{F}$  ( $6^\circ\text{C}$ ), and the area of the diffuser is relatively large with little or no spaces between the diffusers, accurate results in predicting the airflow velocity can be attained. Refer to ASHRAE Applications Handbook for more information.

### VERTICAL LAMINAR FLOW WITH AIR CURTAIN

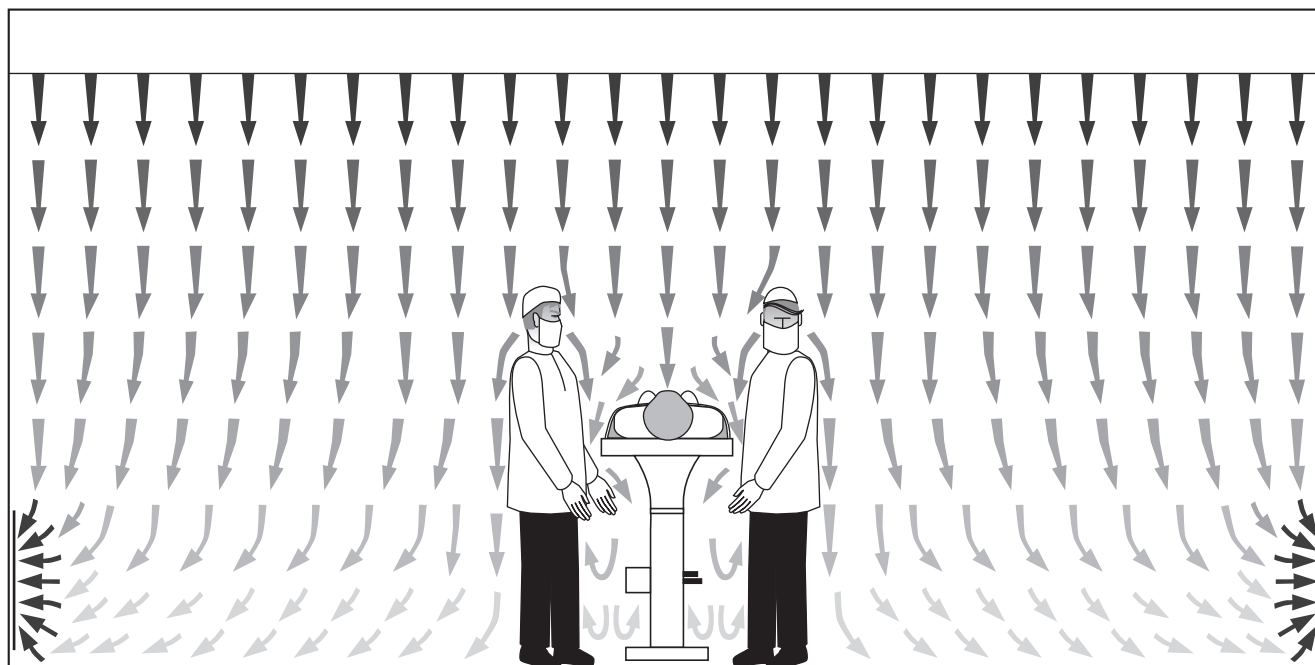
This system consists of two or more laminar flow diffusers located over the operating room table surrounded by a low velocity air curtain created by a special slot diffuser (refer to Figure 5). The air curtain is directed outwards, thus isolating the operating table from induced room air. Typically, two thirds of the supply airflow is directed through the perimeter curtain and the remaining one third directed through the laminar flow diffusers over the operating table. This is a very good alternative to the above systems as it allows for lower air volumes to be utilized (15 – 50 ACH) while still maintaining clean laminar airflow within the curtain. The number of air changes within the curtain is significantly increased over that for the entire room (refer to Table 1). With lower air exchange rates commonly being specified it becomes the system of choice for most operating room applications. A vertical laminar flow with air curtain system is also much more friendly to design as it provides only one third of its air volume through the center panels, which are usually uniformly spaced within the air curtain and over the operating table. This allows the prediction of much more accurate estimates of throw velocity as the manufacturer's standard data can be used with corrections for temperature and spacing. The Nailor Steri-System Operating Room Air Distribution System is an example of this type of system which has incorporated the most modern design concepts into a tried and proven product resulting in the industry's most advanced engineered system.

### HORIZONTAL LAMINAR FLOW

Recommended by various manufacturers as an alternative to the systems above, however, there are problems associated with maintaining laminar airflow across the entire room, especially on cooling (refer to Figure 6). Also the air moves across contaminated personnel and equipment before reaching the patient, resulting in localized areas of turbulent flow and low velocity recirculation zones, thus possibly increasing the risk of infection. Larger amounts of both particles and bacteria have been detected with horizontal laminar flow systems at the same airflow as vertical laminar flow systems. Almost all literature recommends a ceiling mounted air distribution system, not horizontal, for use in operating rooms.

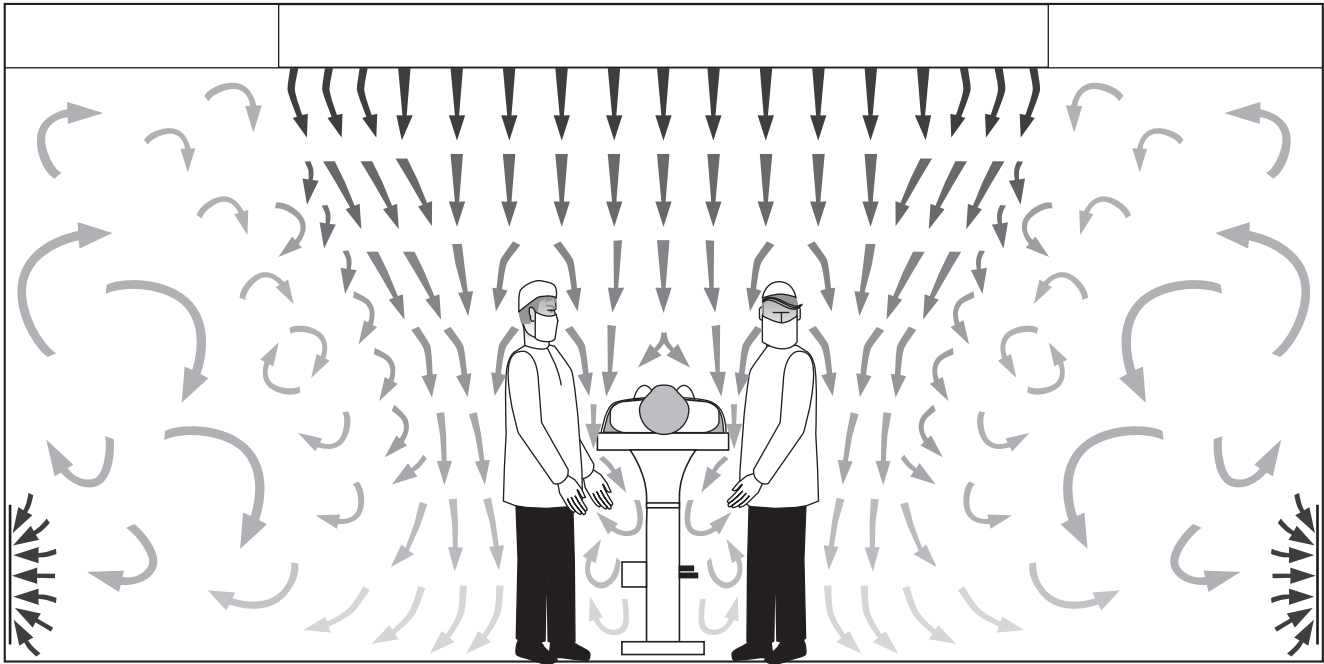
Horizontal laminar flow systems, while very common in protective environment rooms and industrial or pharmaceutical applications, do not lend themselves well to a typical operating room theatre and therefore should only be evaluated for very specific reasons.

There are actually several other types of systems and approaches that have been used such as displacement ventilation (floor to ceiling), conventional mixing, air jets and exhaust walls. These systems, while they do all have some merit, are generally not recognized or proven to be as effective.

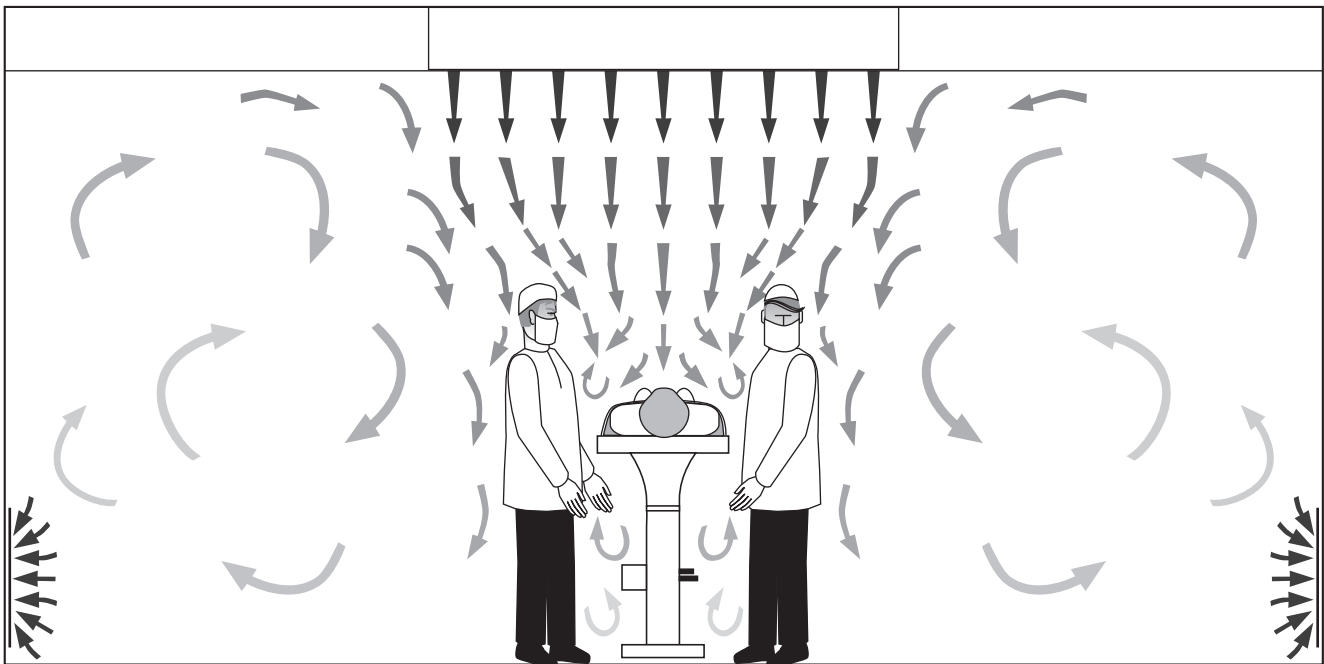


**FIGURE 1:**

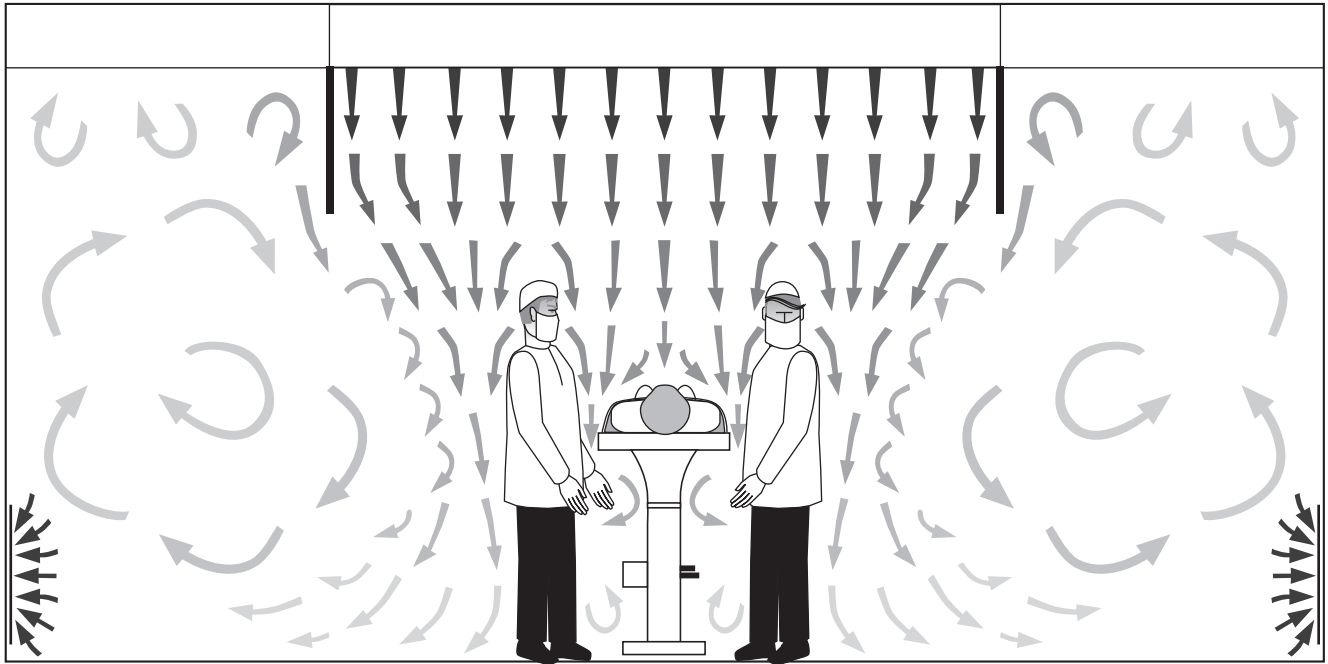
Complete Laminar Flow Ceiling System. Excellent protection of the patient from all sources of contaminants. Requires very high air volumes.



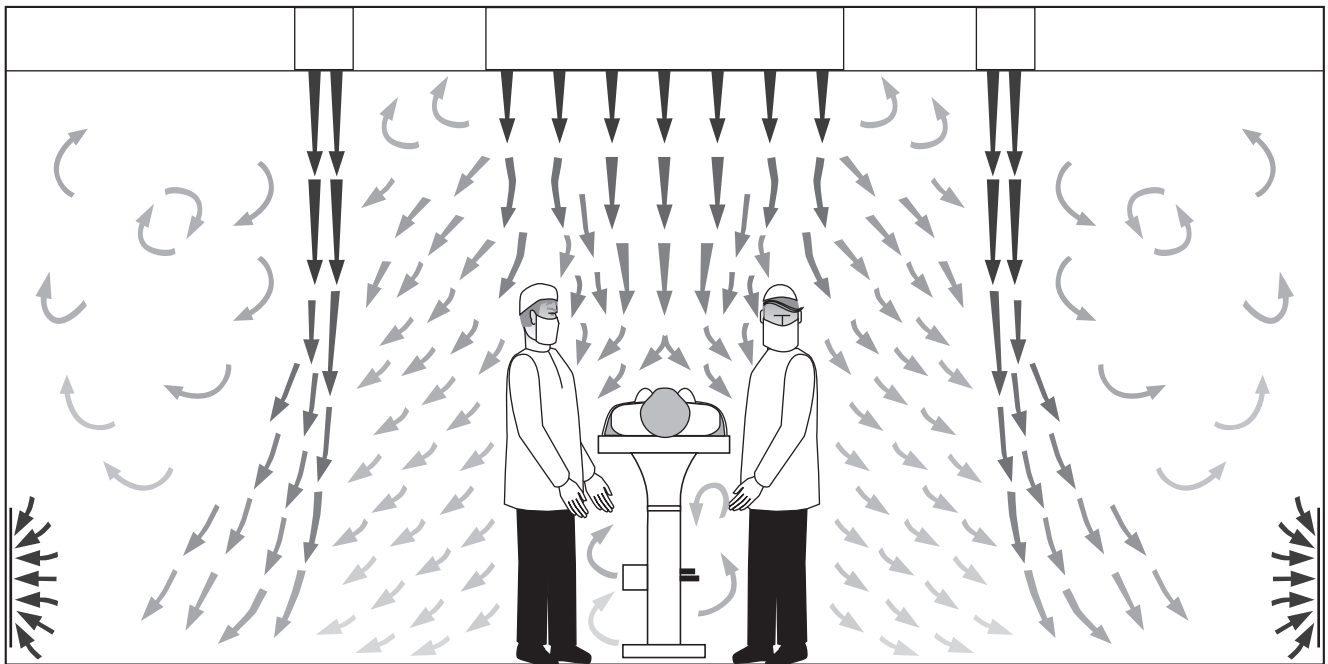
**FIGURE 2:**  
Large Area Laminar Flow Ceiling System. Very good protection of the patient from all sources of contaminants. Requires high air volumes.



**FIGURE 3:**  
Small Area Laminar Flow System. Marginal protection of the patient from contaminants. Physical movement of personnel can disrupt flow field. Requires low to moderate air volumes.



**FIGURE 4:**  
Laminar Flow System with Ceiling Hung Deflection Walls. Good protection of the patient from all sources of contaminants. Requires moderate air volumes.



**FIGURE 5:**  
Laminar Flow System with Perimeter Air Curtain. Good protection of the patient from all sources of contaminants. Requires low to moderate air volumes.

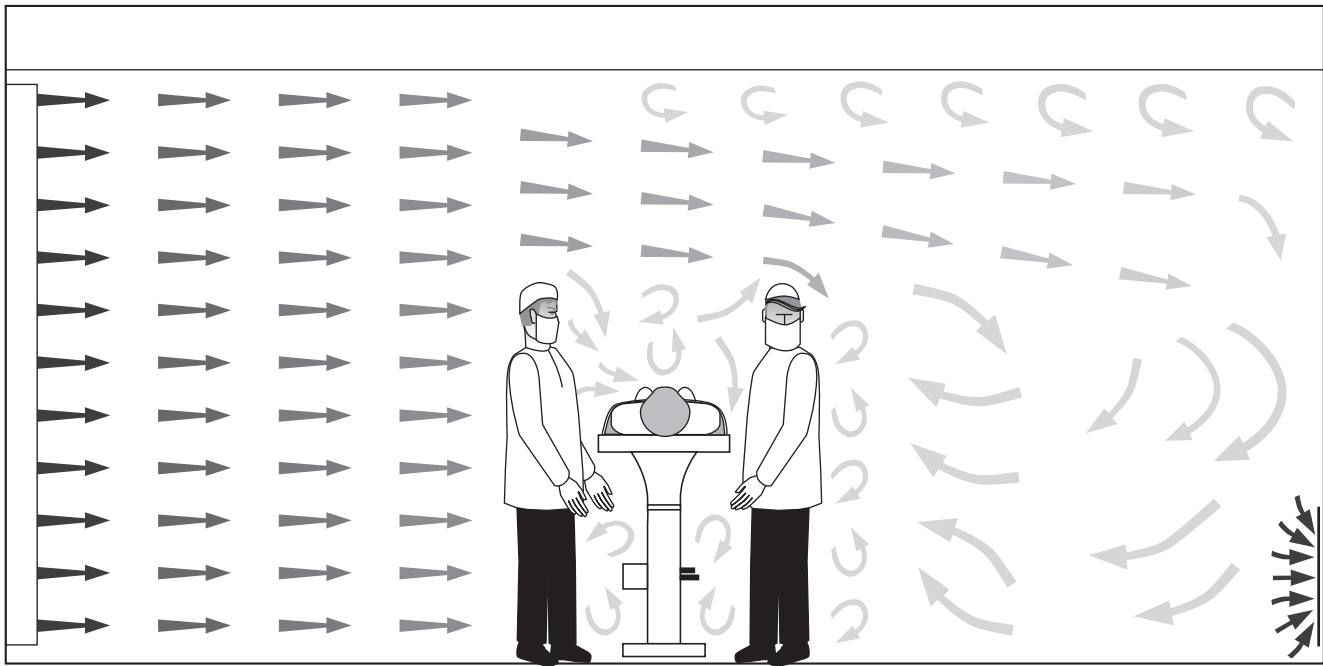


FIGURE 6:

Horizontal Laminar Flow System. Marginal protection of the patient from all sources of contaminants. Requires moderate to high air volumes.

## THE STERI-SYSTEM SOLUTION

Engineers, when designing the HVAC system for operating rooms, have many factors to consider. The primary responsibility of all engineers is to protect the public safety, however they must consider the financial implications on their client as well. The goal of the Steri-System project was to provide a system, superior to others in the market, that minimizes the number of airborne contaminants at the surgical site while using only the minimum amount of air imposed by the standards. It also had to be cost effective, easy to install, easy to clean, meet recommended sound levels and be flexible enough to accommodate a wide variety of room layouts and equipment.

These goals were accomplished with the development of two products: the Model Series 92LS-SS Linear Slot Curtain Diffuser and the Model Series 92LFD-SS Laminar Flow Diffuser. By using these products in a modular fashion an incredible array of Steri-System Modules can be created to suit almost any application. The Steri-System Modules are designed to create a clean zone around the patient. This is accomplished by first creating an air curtain around the patient and the surgical staff. The curtain is designed as an invisible barrier to airborne microorganisms. It protects and isolates the clean zone from contaminated room air and personnel that are outside the curtain. The slot on the Model Series 92LS-SS Linear Slot Curtain Diffuser is specifically designed with a fixed pattern deflector to direct the air outwards from the clean zone at a 5 – 15°

angle. The unique wide single slot design minimizes the air turbulence and velocity, and hence the induction of contaminated room air into the curtain airflow, protecting and isolating the clean zone, while the angled deflection “sweeps” particles away from the operating area. Integral pressure plates and multiple inlets ensure uniform distribution of air along the entire curtain length. The face design also incorporates longitudinal deflectors that horizontally deflect a small amount of air lengthwise. This effectively joins the airflow through sections and corners forming a truly continuous air curtain, resulting in enhanced isolation of the surgical area. Removable face panels, held in place with 1/4 turn fasteners, and radiused corners on the plenums ensure that the system is easy to clean. The center section of the system consists of our 92LFD-SS Series Laminar Flow Diffusers. These non-aspirating perforated diffusers provide a low velocity column of downward moving clean air directed at the operating table and patient. The double baffle design incorporates two pressure plates and a disc damper to provide even velocity air distribution over the entire face of the diffuser. With 1/3 of the total system air supplied in this fashion, a slightly positive pressure is created over the operating table resulting in an outward moving mass of clean supply air. The air direction is outward from the centerline of the diffuser bank and helps carry particles generated by the surgical staff away from the patient. The actual number of air changes within the air curtain (see Table 1) and especially over the patient is also greatly



enhanced over that of the entire room. This enhanced air change rate greatly reduces the number of contaminated particles within the clean zone.

Available in many standard and custom sizes, the Nailor Steri-System can accommodate a wide variety of ceiling types and layouts. No system is complete without low level return air grilles and Nailor has a complete selection of stainless steel return grilles for use in this application.

Module Size	Total System CFM Range			Air Changes per hour (ACH) within the Air Curtain		
	Low	Med	High	Low	Med	High
8 x 4	945	1320	1700	59.1	82.5	105.9
8 x 6	1070	1500	1925	44.4	62.5	80.0
8 x 8	1220	1710	2195	38.0	53.4	68.4
10 x 6	1220	1710	2195	40.5	57.0	73.0
10 x 8	1370	1920	2470	34.1	48.0	61.9
10 x 10	1520	2130	2735	30.3	42.6	54.6
12 x 6	1370	1920	2470	37.9	53.3	68.8
12 x 8	1520	2130	2735	31.6	44.4	56.9
12 x 10	1670	2340	3005	27.8	39.0	50.0
12 x 12	1820	2550	3275	25.2	35.4	45.4
14 x 8	1670	2340	3005	29.7	41.8	53.6
14 x 10	1820	2550	3275	25.9	36.4	46.7
14 x 12	1970	2760	3545	23.4	32.9	42.1
14 x 14	2095	2930	3765	21.4	29.8	38.4

**TABLE 1:** This chart shows the enhanced air changes per hour within the clean zone of the Steri-System. Example: For an operating room that has an area of 500 square feet and a 10 ft ceiling, designed for 26 ACH, it would result in a total room airflow of 2167 cfm. This is very close to the midrange airflow of 2130 cfm for a 12 x 8 module. From the chart above, with 1/3 of the airflow supplied through the centre laminar flow panels, we see that the resulting ACH within the clean zone is increased from 26 to about 45.



**FIGURE 7:** Photo shows standard 12 x 8 Steri-System module installed in the Nailor Air Distribution laboratory.

## APPLICATION GUIDELINES

The operating room environment is one of the most critical areas requiring air distribution. Any type of system has to include in its design the ability to isolate contaminants and reduce the risk of infection to the patient. To accomplish this effectively a large volume of clean air must be supplied into the room at relatively low velocities and acceptable noise levels. The high air change rate dilutes the microbiological contaminants present in the room or within the clean zone. A low air velocity is required to allow the heavier particles to settle and be exhausted out as well as reduce the impingement of particles generated by the surgical team onto the patient.

## PERIMETER AIR CURTAIN SELECTION

The goal of the air curtain is to effectively isolate the patient and surgical staff from contaminants present in the operating room. The curtain must also be large enough to contain and accommodate the staff and equipment that are used in the particular procedures being performed. The curtain creates an invisible barrier to airborne microorganisms. To accomplish this effectively we need to select the perimeter air curtain in such a way as to achieve at least 50 ft/min (0.25 m/s) air velocity at the height of the operating table. This will ensure that the air curtain maintains its integrity in the critical areas above the table height. If the system is normally in a cooling mode with a moderate load in the room we need to select the perimeter system for at least 25 cfm per linear foot (39 l/s/m). At this flow rate isothermal air will be at a 50 fpm velocity (0.25 m/s) 5 ft (1.5 m) below the slot diffuser. As the supply air temperature drops in cooling mode the throw of the diffuser will increase. A general rule of thumb would be that for a twenty degree difference in room temperature there is corresponding increase of the throw by 25%. Therefore, under normal cooling conditions, the linear will provide an effective curtain around the operating room

table. If the curtain is selected at the recommended medium airflow value of 35 cfm/ft (54 l/s/m) the resulting isothermal throw increases to 6.5 ft (2 m). For a typical operating room with a ten foot ceiling height and a low cooling load this will be ideal. At the recommended maximum flow rate of 45 cfm/ft (70 l/s/m) the isothermal throw increases to 7 ft (2.1 m), providing additional protection. If heated air is to be supplied through the curtain during surgery, special consideration must be given to the

selection of the linear. The buoyancy effect of the warm air can be substantial and negate the curtain effect provided by the diffuser. Ideally, a mock-up should be performed depending on the specific requirements of the project, however great care should be taken to reduce the leaving air temperatures as much as possible.

## INTERIOR LAMINAR FLOW DIFFUSER SELECTION

Selecting the laminar flow diffusers for optimal performance is a considerably more complicated process. The first thing to consider is the sound levels in the room. The laminar flow diffusers are a significant contribution to the resultant air distribution sound level in the room. The recommended sound range for operating rooms is 25 – 35 RC(N). The laminar flow diffusers produce a neutral range of sound that closely approximates the RC curves in the important 250, 500, 1000 and 2000 Hz octave band center frequencies. As a result we utilize NC values in our analysis. The most important variable in the selection for sound level is the diffuser inlet size. The Nailor 92LFD-SS Series Laminar Flow Diffusers, due to their double baffle design, are somewhat unique in that the inlet size or velocity has little or no effect on the resulting throw or outlet velocity. The inlet size only changes the pressure drop and NC level. Therefore, selection with larger inlets results in a quieter more efficient system. The other thing to consider is that the sound from several identical diffusers side by side is additive logarithmically. This results in an increased NC level as shown in Table 2.

Number of Laminar Flow Diffusers	2	3	4	5	6	8	10
Increase in Noise Level, NC	3	5	6	7	8	9	10

**TABLE 2:** The table above provides an NC addition value useful for estimating room sound levels in applications with multiple laminar flow diffusers of the same size and air volume. For example, if we look at a typical case of 3 laminar flow diffusers in a room (12" inlet, 48 x 24 module at 260 cfm each). From the individual data on page E48 we see an NC value of 18 for one unit. Therefore, from the table, we see that we must add 5 NC to this for an estimate of the total sound level for the 3 diffusers, resulting in NC 23. Selection of the same diffusers with 10" inlets results in an NC value of 30.

Another important aspect of the laminar flow diffuser selection is the static pressure drop and its effect on system balancing. The laminar flow diffusers generally have a much higher pressure drop than the perimeter air curtain. As a result, the perimeter air curtain, or the ductwork supplying it, will in many cases require the use of optional inlet balancing dampers to accommodate the pressure difference. A larger inlet size and/or additional diffusers reduces this difference resulting in less pressure drop across the dampers and a quieter, more efficient system. Many manufacturers provide so-called

self-balancing systems without dampers, that if improperly applied, could result in too little air being supplied through the laminar flow diffusers.

The laminar flow diffuser layout is also critical to the ultimate performance of the system. The diffusers should ideally completely blanket the patient with low velocity laminar airflow. The best results are obtained when the diffusers are directly above the patient as the influence of the surgical staff will be minimized.

While this may interfere slightly with the placement of lighting or other equipment it is critical for optimal performance. With the myriad array of lighting solutions and mounting arms available the diffuser placement should be given priority. Remember the light will shine through the air without any problems and can be adjusted to accommodate people and equipment, however, the airflow cannot be adjusted or directed as easily. The larger the supply area of the diffusers the better the coverage and protection of the patient will be. The air velocity from the diffusers above the patient is also extremely dependent on the supply air temperature. Colder air will throw much further and will, in some instances, actually accelerate resulting in a much higher velocity below the diffuser than the actual outlet velocity at the ceiling line. The actual operating table itself also has a profound effect on the air velocity as this obstruction will cause the air to slow and 'pillow' around and over the table. For best results, in typical applications, we suggest that laminar flow diffusers be selected between 20 and 40 cfm/ft<sup>2</sup> (102 l/s/m<sup>2</sup> and 203 l/s/m<sup>2</sup>) of face area. For example a 24 x 48 (600 x 1200) module laminar flow diffuser should be selected between 160 and 320 cfm (75 and 150 l/s).

## SELECTION OF STERI-SYSTEM MODULE SIZE

The first step in determining module size is to determine the total supply airflow for the operating room. Table 3 summarizes the current guidelines for the various organizations shown.

The most stringent minimum number of air changes is published by ASHRAE and they are generally considered to be the code authority throughout the country. Some areas require a 100% outside air supply system which not only helps to reduce contaminants but can provide additional protection during a fire emergency. Operating rooms are obviously not easy to evacuate during a fire and the combination of a positive pressure and outside air can enhance smoke protection.

Based on these (or other) guidelines, determine the total number of air changes required for the operating room. With this and the room volume we can determine the total airflow to be supplied:

$$\text{Total Room Supply Airflow (cfm)} = \frac{\text{Total Room Volume (ft}^3\text{)} \times \text{\# of Room ACH}}{60}$$

We must then confirm that this airflow will fulfill the other requirements of the room, such as cooling load and humidity requirements, as well as maintaining the pressure relationships with the adjoining areas. Some systems must be capable of quickly reducing or increasing the room temperature and humidity during or between procedures and/or maintaining a lowered design set point temperature of 60 – 65°F (16 – 18°C) during procedures. Also, best air distribution and comfort conditions are generally obtained when the supply air temperature differential during surgery is small and relatively constant. When the total room airflow is determined we can choose our Steri-System module size. From the chart on page E83 the total system airflow ranges and noise levels are shown. The system should be selected within the ranges shown on the chart with consideration as to final module size and its ability to accommodate the personnel and equipment as necessary. The standard systems shown have been designed to simplify the selection and layout process while providing maximum protection to the patient within the airflow ranges shown. The interior and perimeter pressure and flow relationships are maintained with 1/3 of the airflow being supplied through the laminar flow center panels and the remaining 2/3 through the perimeter curtain diffusers. Inlet sizes and air volumes per inlet have been designed to minimize sound and

pressure drop and enhance system efficiency. The standard modules shown are only a small fraction of the possible combinations available and are sized to meet the most common conditions. If your particular requirements cannot be met with the standard module sizes, other combinations of laminar flow diffusers and/or perimeter curtains are available. Please contact your local Nailor representative for assistance on your particular application.

Source	Room Types	Minimum Air Changes/Hour ACH	Minimum Outside Air ACH	Minimum Filtration Efficiency
ASHRAE 2003 Handbook HVAC Applications	Operating Room Cystoscopic Rooms Delivery Room	25	5	Merv 17 (99.97%) for Orthopedic, Bone Marrow and Organ Transplant. Merv 14 (90%) for General Procedure and Delivery Rooms.
American Institute of Architects 2001 Edition Guidelines for Design & Construction of Hospital & Health Care Facilities	Operating/Surgical Cystoscopic Rooms Delivery Room Trauma Room Procedure Room	15	3	90%
	Bronchoscopy, Triage, ER or Radiology Waiting Rooms	12	3	
	Endoscopy	6	2	
Canadian Standards Assoc. CSA Standard Z317.2-01 September, 2001	Operating Rooms Endoscopy, Bronchoscopy, Cystoscopy, PACU, Surgical Day Care, Caesarean Delivery	20	6	99.97%

**TABLE 3:**

This table summarizes some of the current recommendations for operating room ventilation rates. Consult the actual documents for specific requirements and exceptions.

## SELECTION OF RETURN/EXHAUST AIR OUTLETS

The return or exhaust outlet of the operating room is the final part of any system design. Codes require a minimum of two outlets located at low level (at least 3 inches above the floor) generally on either side of the room. These grilles are selected for approximately 85% of the supply airflow so as to maintain positive room pressurization. It is recommended that they be selected for an NC level of 25 or less so as to not contribute to the overall room sound level. The return grille selection and placement has very little effect on the resultant airflow patterns within the room. It is important to note that exhaust grilles do not 'suck in' the surrounding room air and create airflow patterns. The airflow is only affected within a few inches of the grille face. (The old air distribution adage is that you can't suck out a match, but you can blow it out). The low level placement of the grilles does aid in the removal of the heavier particles and discourages their settling on the floor or recirculation. Nailor offers two standard and several custom models for this application. The two standard models are 67FB45 and 67FB55. Both are identical with fixed 45° blades except that they have 3/4" and 1/2" blade spacing, respectively. The choice of blade spacing is really only an appearance issue as both designs meet all applicable requirements. The 3/4" model has a greater free area and therefore the resultant size will be somewhat smaller. The grilles are available in either 304 or 316 stainless steel and compliment the appearance and construction of the Steri-System components. The grille core is held in place with 1/4 turn fasteners to allow for complete removal and disinfection, as well as full access to the ductwork beyond. Special options available include perforated or eggcrate grille cores, filter clips for disposable 1" or 2" media filters or mounting frames for Gel Seal HEPA filters. These special options are not recommended in the operating room, however they are useful in other areas and applications.

## SELECTION EXAMPLE

Design Criteria: General Procedure Operating Room  
 Room Size: 20 ft wide x 25 ft long x 10 ft ceiling height  
 = 5000 ft<sup>3</sup> Room Volume  
 Minimum: 8 ft x 8 ft Clean Zone Required  
 Supply Air Temperature: 55°F  
 Room Temperature Set Point Range: 62 – 80°F  
 Airflow: Minimum 25 ACH (recirculating system) –  
 Positive room pressure  
 Sound Level: 25 – 35 NC

Calculate required room airflow rate:

$$\text{Airflow (cfm)} = \frac{\text{Room Volume (ft}^3\text{)} \times \text{ACH}}{60}$$

$$\text{Airflow (cfm)} = 5000 \times 25/60 = 2083 \text{ cfm}$$

We must then confirm that this airflow will meet the maximum cooling load requirement for the room (not shown). Note the room temperature must be able to be maintained at the lowest specified temperature for some procedures (62°F in this example). With a 55°F supply air temperature the load may, in some cases, require an increase in airflow to compensate for the low ΔT between supply air and room temperature. Also some procedures may require the system to quickly reduce or increase the room temperature and humidity during or between procedures. One of the features of the Steri-System design concept is the creation of a micro-climate within the clean zone. The enhanced air change rate within the curtain (Refer to Table 1 in the Engineering Section) and the use of non-aspirating Laminar Flow Diffusers create a room within a room effect. An analysis of the cooling load within the air curtain should be considered for critical projects. Obviously, for the 80°F set point, the reheat coil and modulating valve must be sized accordingly. (Refer to the Nailor VAV Terminal Units catalog for more information on reheat coil selection).

From the selection chart we see that the airflow falls midrange for a 12 x 8 Steri-System module size which meets our minimum specified clean zone size.

From the module layout page we have all the pertinent dimensions, as well as recommended inlet sizes and airflows. This should be coordinated with the desired ceiling layout for surgical lighting, utility columns, monitors and equipment, etc.. Several different module sizes will meet the specified criteria and the choice will generally depend on the layout. (Placement of diffusers above the table should take priority over placement of light fixtures).

Also, from the selection chart, we find a system NC level of 26 which falls well within the recommended sound levels. Therefore, a standard 12 x 8 Module Steri-System will meet our criteria for this example.

For return air grille sizing and room pressurization we will use the recommended 85% of the supply air total and a minimum of two inlets.

Therefore:

$$\begin{aligned} \text{Total Return Air} &= \text{Supply Airflow} \times 0.85 = 2083 \times 0.85 \\ &= 1770 \text{ cfm total} \\ \text{or for two inlets} &= 885 \text{ cfm each} \end{aligned}$$

For a standard Model 67FB45 and sizing for low sound and pressure drop we find that two grilles 18" x 18" (or equivalent size) will be sufficient, resulting in a low noise level (< NC 20) and pressure drop (< 0.1" w.g.).

## HEPA AND ULPA FILTERS

**Nailor** provides the highest quality filters currently available. We provide HEPA and ULPA filters as options in our stainless steel laminar flow and radial flow diffusers. Typical applications include hospitals, semiconductor manufacturing, disk drive and compact disc manufacturing, food processing, pharmaceutical production and aerospace manufacturing.

Our standard filters incorporate an anodized aluminum Gel Seal frame that mates with a specially constructed 'knife-edge' frame on our diffusers to provide a leak-tight connection. The filters also utilize a separatorless 2" (51) deep media pack as standard and we provide a removable test port integral with every filter. The test port is used to measure filter pressure drop, perform leakage (scan) tests or to adjust balancing dampers in the diffuser neck.

All filters are UL 900 Class I Listed and Factory Mutual Approved. All filters are individually scan tested per Section 6.2 of IEST-RP-CC034.1. Filters are packaged independently from the diffuser for final installation of the filter in the field (by others). ULPA filters are assembled and tested in a cleanroom environment before being sealed in a polybag.

### FILTER SELECTION AND APPLICATIONS

Most people are commonly aware of the extremely high filtration offered by these filters, however proper application requires an understanding of the test methods and ratings.

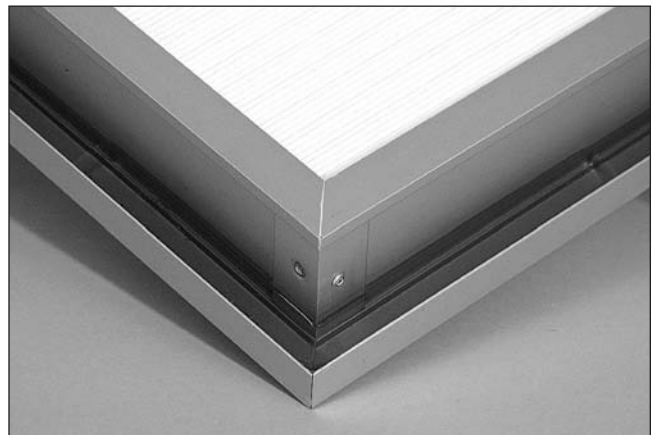
The standard ratings are as follows:

- HEPA filters have 99.99% minimum removal efficiency on 0.3 micrometer particle size.
- ULPA filters have 99.9995% minimum removal efficiency on 0.12 micrometer particle size.

It is very important to realize that the testing is done with an aerosol of specially constructed man-made spheres not with biological or irregular shaped particles. This is necessary to provide a repeatable test and ensure manufacturing quality, however, depending on the applications and conditions involved actual efficiency may be somewhat lower. Recent studies with biological particles indicate that they may migrate of their own accord through the filters over time. This can be explained due to the fact that some bacteria have flagella which enable movement and possible detachment from filter fibers, also some bacteria are surrounded by gelatinous surfaces (slime), which may reduce filtration efficiency. Some fungal spores and bacteria will grow in the presence of moisture and could grow through the filter elements over time.

Another important thing to note about filters is their most penetrating particle size range. The filtration efficiency of filters follows a specific nonlinear curve. Classification of HEPA filters is their efficiency at a particular diameter of

particle (0.3 micrometers and larger). Generally a smaller diameter particle, say 0.2 micrometers, will have a slightly lower filtration efficiency which could also depend on air velocity. Many of the pathogens responsible for nosocomial infections have particles in this size range. It is important to note that many pathogens that are attached to larger particles or are found in clumps will break apart upon contact with the filter fibres. Therefore it is recommended that actual particle size be used to determine a conservative filtration efficiency requirement. Also, the testing is performed at 100 fpm (0.51 m/s) velocity on the net media face area. Table 4 gives the net media face area of our standard filters and the recommended airflows. The filters have been shown to maintain their ratings at up to 150 fpm (0.76 m/s) velocity and 2" (50 Pa) pressure drop and this is the maximum shown in the chart and our performance data. Once again, exceeding these criteria could reduce filter efficiency. Also, particles are typically not evenly deposited on the filter and there could be localized areas on the filter that will exceed the maximum velocity as the filter gets dirtier.



**FIGURE 8:** Photo shows standard Gel Seal HEPA Filter. Standard construction is an anodized aluminum frame with a separatorless 2" (51) deep media.

Ceiling Module Size	Net Media Face Area		Recommended Max. Airflow		Maximum Airflow	
	(ft. <sup>2</sup> )	(m <sup>2</sup> )	(cfm)	(l/s)	(cfm)	(l/s)
<b>Imperial Ceilings (inches)</b>						
48 x 12	1.93	0.179	193	91	290	137
60 x 12	2.50	0.232	250	118	375	177
24 x 24	1.96	0.182	196	92	294	139
36 x 24	3.37	0.313	337	159	506	239
48 x 24	4.77	0.443	477	225	716	338
60 x 24	6.17	0.573	617	291	926	437

Ceiling Module Size	Net Media Face Area		Recommended Max. Airflow		Maximum Airflow	
	(ft. <sup>2</sup> )	(m <sup>2</sup> )	(cfm)	(l/s)	(cfm)	(l/s)
<b>Metric Ceilings (mm)</b>						
1200 x 300	1.89	0.176	189	89	284	134
1500 x 300	2.45	0.228	245	116	368	173
600 x 600	1.87	0.174	187	88	281	132
900 x 600	3.22	0.299	322	152	483	228
1200 x 600	4.56	0.424	456	215	684	323
1500 x 600	5.91	0.549	591	279	887	418

**TABLE 4:**

This table gives net media face area of the standard HEPA and ULPA Filters. The recommended maximum airflow shown is based on 100 ft/min (0.51 m/s) velocity and the maximum airflow is based on 150 ft/min (0.76 m/s) velocity.

## DISINFECTION, STERILIZATION AND MATERIALS

The subject of disinfection and sterilization in healthcare facilities (like most healthcare related issues) is extremely controversial. Most authorities do not agree on the type, frequency or effectiveness of the various methods and chemicals. The result is that many hospitals use many different methods and new research and product developments continue to influence actual practices. The evolving trend seems to be towards stricter controls and higher levels of disinfection. Newer construction guidelines focus on surfaces that are resistant to harsh cleaners, have no cracks or crevices and are easier to clean, such as monolithic ceilings in operating rooms, etc..

The sanitation requirements in the operating room are the most severe as they are aimed at total asepsis. This requires the use of strong cleaners, usually highly alkaline soaps reinforced with synthetic detergents. In addition to meeting the regular standards of cleanliness, the general cleaning is supplemented with sanitizers, disinfectants and sterilants. These chemical formulations are functional against different levels and types of contamination. Sanitizers reduce, but not necessarily eliminate microorganisms. These cleaners contain lye (caustic soda, sodium hydroxide) and alkaline hypochlorites (equivalent to bleach). Often these and other cleaning and sanitizing agents will have the alkaline salts aided by 'quats' (quaternary ammonium derivatives). Disinfectants go one step further than sanitizers in that they eliminate all pathogenic

microorganisms, that is, they destroy infectious fungi, viruses and bacteria, but not necessarily their spores. These agents may also contain 'quats' such as quaternary ammonium chloride or phenolics (carbolic acid derivatives) with the addition of detergents, either soaps, surfactants or both. Some of these agents, especially in concentrated form, are in an alkaline solution and have an extremely high pH level 12.5 – 13.8 (similar to paint stripper or concentrated lye). Sterilants cap the assault on disease producing agents. They destroy all forms of microbial life and their spores. Complete sterilization of environmental surfaces is not possible or practical in health care facilities however, and many sterilants are used as high level disinfectants. They include acids such as phenol (carbolic acid), citrosols (buffered citric acid), phenolic derivatives such as hexachlorophene and peracetic acid/hydrogen peroxide. On the alkaline side they include lye, terpenes, high pH germicides and glutaraldehydes.

It is easy to see that most of the above chemicals will be corrosive to metals, especially those containing chlorine compounds. Most metals typically used in HVAC systems are carbon steels protected by sacrificial coatings such as zinc, zinc alloys or aluminum. Aluminum sheet and aluminum extrusions are also commonly used. Aluminum and the coatings used to protect carbon steel are amphoteric, which means that they are attacked (corroded) by alkalis and acids. Therefore any agents with a pH lower than 7 (acidic) or higher than 7 (alkaline) are corrosive to these surfaces. It is important to understand that metallic materials do not corrode evenly or uniformly.

Instead, corrosive attack occurs at anodic sites while protecting cathodic sites on the metal surface. The energy of corrosion is the difference of potential between different parts of the surface, like between grain boundaries or between different alloying elements, such as reactions of dissimilar metals in contact with each other. This corrosion results in pitting and the formation of insoluble corrosion products. Aluminum alloy pitting is accompanied by a residue of a corrosion product that is usually white, rough or granular, aluminum hydroxide/aluminum carbonate (the carbon dioxide in the atmosphere reacts with the aluminum hydroxide to make the carbonate). By the same mechanism zinc and zinc rich coatings leave a corrosion product of basic zinc carbonate (white rust). Surfaces that are pitted or roughened by corrosion product residues are ideal for entrapment of and colonization by bacteria, fungi and spored.

Superior materials for HVAC system components are austenitic stainless steels such as Type 304 (18% Chromium, 8% Nickel) or even more corrosion-resistant Type 316 (18% Chromium, 8% Nickel, 2 – 3% Molybdenum). These alloys are used for many other hospital applications including instruments, equipment and even implants. The U.S. Army and the Department of Veterans Affairs (the largest operators of hospital facilities in the world) recommend all stainless steel HVAC components downstream of the final filters in operating rooms. Another inherent advantage of 304 and 316 stainless steels is the fact that they are non-magnetic. With the incredible advances in imaging technologies such as MRI (magnetic resonance imaging) and the ever increasing applications for surgery, the use of non-magnetic materials in operating rooms could have future potential benefits.

Surface finish of the metal is very important as it should be as smooth as possible to avoid retention of microscopic microorganisms and to facilitate cleaning. Nailor Industries standard construction of stainless steel diffusers, components and fasteners in this catalog utilize Type 304 stainless steel as standard (Type 316 is optional on all products and standard on most fasteners) with a #3 satin polished finish on exposed surfaces and a 2B finish on unexposed surfaces. The 2B finish on the plenum interiors, etc. has a low surface roughness value. The #3 polish, while it is considerably more rough, is used for aesthetic concerns to provide a uniform appearance after manufacturing processes. Other finishes and polish grades are available options, including electrolytic polishing and passivation treatments. Wherever economically possible products are designed to facilitate cleaning with features such as removable components, rounded edges, minimal numbers of joints, fasteners and welds etc.. When 304 or 316 stainless steels are welded there is an area near the weld that becomes heated to between 1000°F and 1300°F (550°C and 700°C). In this temperature range carbon reacts with the chromium to produce complex chromium carbides. The result of this is that the metal in

the vicinity of the weld becomes depleted in chromium and therefore becomes an anodic site on the material. These sites, in some instances, can be hundreds of times less corrosion-resistant than the unaffected metal. During welding the surface of stainless steel can also be affected by several other factors including slag material from coated electrodes, heat tint, weld flux, arc strikes, weld stop points and weld spatter. Grinding afterwards and other mechanical cleaning processes can sometimes do more harm than good. They can also overheat the surface, create surface crevices, microcracks, scratches, burrs and deposit contaminants. These factors will substantially reduce the corrosion resistance of the material. They also increase the surface roughness in the vicinity of the weld, greatly reducing its cleanability. Various pickling, passivation or electropolishing treatments are available to help restore the material after welding, however these are typically not performed on welded HVAC components due to the costs, time and chemicals involved. Where possible, Nailor stainless steel products are mechanically fastened together with rivets or other fasteners to help maintain the integrity of the material and enhance its cleanability and corrosion resistance. Before shipping, each product undergoes a cleaning process where it is washed in a 20% alkaline solution, rinsed with clear water and exposed to a de-ionized water mist, all at an elevated temperature of 140°F (60°C). This process removes the oil, grease and surface contaminants inherent in the manufacturing processes. It is not intended as a disinfectant. We recommend that all products should be fully disinfected after installation.

## SYSTEM TESTING

Testing any operating room system is a very controversial process. There are no common standards to test to and many factors can influence the results. There are, however, some very important tests that can be performed that will give the engineers and infection control personnel valuable information and help in diagnosing potential problems.

Most tests in operating rooms are typically looking for cfu concentration (colony forming units) generally expressed as cfu/ft<sup>3</sup> (cfu/m<sup>3</sup>). These tests generally do not determine the specific type of microbiological contaminants present. In some instances this will be very important and should be performed especially as part of an epidemiological investigation. In cleanrooms, generally all particles of a specific size are counted including the microbiological ones. To understand the value of these test results we must first look at the nature of the contaminants involved and their likely sources. To fully consider the myriad assortment and quantity of different viruses, bacteria and fungi, as well as their various properties, is truly a daunting endeavor for any HVAC engineer and well outside the scope of this text. We can however make a few assumptions, that will in most cases be correct, and will provide valuable information.

Outdoor air generally contains high concentrations of fungal spores often exceeding 28 cfu/ft<sup>3</sup> (1000 cfu/m<sup>3</sup>) during the summer. Dry, windy conditions will stir up soil and release the contaminants. In winter, especially with snow covered ground, it can be considerably lower, 2.8 cfu/ft<sup>3</sup> (100 cfu/m<sup>3</sup>) or even less. Samples of outdoor air rarely contain high concentrations of viruses or bacteria that are pathogenic (harmful to humans) unless there is a specific source nearby. Outdoor conditions such as sunlight, high or low temperatures and even oxygen will kill most pathogenic viruses or bacteria. Other non-pathogenic viruses or bacteria are present in the air in varying quantities sometimes as high as 28 cfu/ft<sup>3</sup> (1000 cfu/m<sup>3</sup>).

If we consider the simple case of an unoccupied operating room with 100% outdoor air supplied to it. If the room has been unoccupied for a few hours before the test we can generally assume that all pathogenic particles will have been removed with even a low air change rate (15 ACH). Therefore unless the room itself or the equipment within it are contaminated sources, which is unlikely, we can assume the number and type of particles are directly related to the outdoor air and the filtration efficiency. This is a valuable measurement to take, generally after final commissioning and before the room is actually used. It can provide a good background level to compare future tests against and allow monitoring of the filter performance. Care must be taken, however, in the interpretation of the results. High numbers of spores may indicate contamination of air handling system components prior to or during installation, or a system deficiency such as improperly sealed filter frames when culture results are compared to known filter efficiencies and rates of air exchange.

Many HVAC systems will also use a return air component (up to 80%) in the total air supplied to the operating room. If the unoccupied room is tested with maximum return air it will give an indication of the contaminants present in the return air or the associated return air ductwork. If the hospital is fully occupied and functioning there will probably be pathogenic particles present and the analysis of them could help in determining potential sources of infection.

Testing an occupied operating room to determine the effectiveness of the air distribution system and its ability to isolate and remove contaminants is an extremely complex process. Most authorities agree that the major source of microbiological particles in the operating room air is the surgical team and the patient. A person releases about 10 million particles per day. The release rate is about 10,000 particles/min. while walking. Rate of movement, air velocity, humidity, clothing type and surgical mask filters can greatly affect particle release rates. Even things such as sneezing, coughing and talking will have an effect. About 5 – 10% of the particles which range in size from 2.5 – 20 µm carry bacteria.

Staphylococci aureus is the most common cause of surgical site infection. People are classified as dispersers

of an organism if its proportion exceeds 1% of the total disseminated bacteria. In one study 9 – 13% of men and 1 – 1.5% of women were found to be dispersers of *S. aureus*. Another important cause of surgical site infections is coagulase-negative staphylococci, which accounts for approximately 14% of surgical site infections, such as *S. epidermis* and its methicillin resistant strain MRSE. A recent Swedish study indicated that as many as 43% of male and 25% of female operating room staff were dispersers of MRSE. MRSE was also detected in the air of the operating room in spite of a very high ventilation rate of 80 ACH.

Therefore it must be realized that testing an operating room that is occupied will depend on the number of people in the room, the specific people themselves including the patient and whatever bacteria that they may or may not be dispersing. Many manufacturers, including Nailor, try to make claims as to the superior nature of their systems over that of their competitors. This is virtually impossible to prove as there are no common standards for us to test to. Most manufacturers have tested to different standards and under different conditions. Several, so-called mock-up conditions have been tested, however, each manufacturer used different conditions. Any test results will be influenced by many factors including the surgical attire, number of people, amount of motion in the space, type and duration of the operation, room size, air flow rates, outside air/duct contaminants, filtration efficiency, type and size of particle being counted, outdoor air quality and volume, incubation periods and properties of the specific particles, sampling intervals, sample locations, type and accuracy of samplers, various strains of particles, temperature, humidity, time of day or year, etc.. All of these factors must be addressed, controlled and recorded to obtain meaningful results and allow comparisons.

The next thing to consider is that after all these factors have been addressed and the amount and type of contaminant has been determined we must then ascertain if it is at an acceptable level. There are many studies and recommendations as to the amount of particles present that are required to produce an infection. Most of them disagree with each other and there is a lack of true empirical data. One study suggests that a total microbial level of 0.28 cfu/ft.<sup>3</sup> (10 cfu/m<sup>3</sup>) for orthopedic and 2.8 cfu/ft.<sup>3</sup> (100 cfu/m<sup>3</sup>) for general surgery be adopted as the maximum limits. Another study suggests fungal sampling be performed in the rooms of immunocompromised patients and in operating rooms and a limit of 0.42 cfu/ft.<sup>3</sup> (15 cfu/m<sup>3</sup>) for total viable spore concentration and a limit of 0.0028 cfu/ft.<sup>3</sup> (0.1 cfu/m<sup>3</sup>) for *Aspergillus* (invasive aspergillosis has a very high fatality rate, approximately 75%, due to the limited effectiveness of antifungal therapy). No recommendations are given for bacterial or viral microorganism particulate evaluation. Bacterial microorganisms are the most common sources of surgical site infections.



Ethical considerations are also an important factor that results in the lack of empirical data from real world testing. Most people would agree that it is unethical to test actual filtration efficiency with live bacteria or viruses, or to try different air change rates to see their effect on infections in a hospital.

The manufacturer shall provide published performance data for the system, which shall be tested in accordance with ANSI/ASHRAE Standard 70 – 2006.

## **SUGGESTED SPECIFICATION**

Furnish and install **Nailor STERI-SYSTEM Model 92STSYS Hospital Operating Room Air Systems** of the size and type shown on the plans and air distribution schedules. The system shall be specially designed to reduce airborne contaminants, and thus, the risk of patient infection during surgery. The system shall be composed of two main components Model 92LFD-SS Laminar Flow Diffusers and Model 92LS-SS Linear Slot Diffusers constructed as follows:

The Laminar Flow Diffusers shall be constructed entirely from 304 stainless steel (316 optional), minimum 24 gauge. The perforated face of the diffuser shall have 13% free area with 3/32" (2.4) dia. holes on 1/4" (6) staggered centers. The face shall incorporate a second pressure plate as an integral assembly to ensure true laminar airflow. The face shall be attached with 1/4 turn fasteners to allow for complete removal and access to the interior for cleaning. All diffusers are to include safety cables to prevent accidental dropping of the removable face. A disc type damper, adjustable from the face of the diffuser, shall be provided with all units. Integral earthquake hanger tabs shall be included with all units.

The Linear Slot Diffusers shall be constructed entirely from 304 stainless steel (316 optional), minimum 24 gauge. The diffuser shall incorporate a non-adjustable single slot designed to create a vertical air curtain angled outwards 5 – 15°. The diffuser shall incorporate a pressure plate behind the slot to ensure uniform slot velocity. The pressure plate shall be 13% free area with 3/32" (2.4) dia. holes on 1/4" (6) staggered centers. The slot and pressure plate shall be attached with 1/4 turn fasteners to allow for complete removal and access to the interior for cleaning. The plenum shall incorporate radiused corners lengthwise to facilitate cleaning. Flanged plenum inlets are to be maximum 5" (127) in height to allow duct clearance over standard light fixtures. Plenums over 7 ft (2134) in length shall be supplied in multiple sections with flange connections and stainless steel fasteners for field assembly. All diffusers are to include safety cables to prevent accidental dropping of the removable face. Integral earthquake hanger tabs shall be included with all units.

(Optional) An opposed blade damper, adjustable from the face of the diffuser, shall be provided on all perimeter inlets. Dampers shall be held in place with wing nut fasteners and be removable from the face of the diffuser.

All exposed surfaces shall have a #3 satin polished finish.

## SUGGESTED REFERENCES AND RECOMMENDATIONS SUMMARY

The following references should be consulted before any design is commenced. These references are selected to represent the most current and widely accepted recommendations available from the most respected sources. These summaries are for quick reference purposes only and are not intended to be used as a source of design information.

### 1) ASHRAE HANDBOOK 2003 HVAC APPLICATIONS CHAPTER 7 – HEALTH CARE FACILITIES

#### COMMENTS

Excellent source for general design information.

#### HIGHLIGHTS

Laminar airflow has shown promise in rooms used for treatment of patients that are highly susceptible to infection.

The unidirectional laminar airflow pattern is commonly attained at a velocity of 0.35 to 0.55 m/s (70 to 110 ft/min).

Surgery and critical care areas require careful design to reduce to a minimum the concentrations of airborne organisms.

The greatest amount of bacteria found in the operating room comes from the surgical team and is a result of their activities during surgery.

Studies and observations indicate that the delivery of air from the ceiling, with a downward movement to several exhaust outlets located along the walls, is probably the most effective air movement pattern for maintaining the concentration of contamination at an acceptable level.

System should maintain positive pressurization at all times, even under periods of reduced air volumes, to maintain sterile conditions.

#### SELECTED RECOMMENDATIONS

Surgical, Delivery and Critical Care Areas

- 1) Temperature set point should be adjustable by the surgical staff over a range of 62 – 80°F (17 – 27°C).
- 2) Relative humidity should be kept between 45 and 55%.
- 3) Air pressure should be maintained positive with respect to any adjoining rooms by supplying excess air. Differential pressure between space and corridors should be a minimum of 2.5 Pa (0.01" w.g.).
- 4) Pressure indicating devices should be installed to permit pressure readings in the rooms.
- 5) Humidity indicator and thermometer should be located for easy observation.

- 6) Filter efficiencies as follows:
  - Orthopedic, bone marrow transplant and organ transplant operating rooms:  
2 filter beds, efficiencies of MERV 8 and MERV 17.
  - General procedure operating rooms, delivery rooms etc.:  
2 filter beds, efficiencies of MERV 8 and MERV 14.
 Refer to Handbook for more details.
- 7) All air should be supplied at the ceiling and exhausted near the floor. Bottom of exhaust outlets should be at least 3 inches (75 mm) above the floor. Supply diffusers should be of the unidirectional type. High induction ceiling or sidewall diffusers should be avoided.
- 8) Acoustical materials should not be used as duct linings unless 90% efficient filters are installed downstream of the linings. Internal insulation of terminal units may be encapsulated with approved materials.
- 9) Sufficient lengths of water-tight, drained stainless steel duct should be installed downstream of humidification equipment to assure complete evaporation of water vapor before air is discharged into the room.
- 10) Refer to Table 3 in the handbook for specific ventilation and pressure relationships. Operating room (recirculating air system), operating/surgical cystoscopic rooms and delivery rooms; minimum total 25 air changes per hour with a minimum of 5 air changes of outdoor air.

#### AVAILABILITY

Copies of this document can be ordered from the ASHRAE Bookstore online at [www.ashrae.org](http://www.ashrae.org)

### 2) AMERICAN INSTITUTE OF ARCHITECTS GUIDELINES FOR DESIGN AND CONSTRUCTION OF HOSPITAL AND HEALTH CARE FACILITIES, 2001 EDITION

#### COMMENTS

A very useful document, written in code language, for overall construction guidelines. References CDC/ASHRAE guidelines for specific ventilation requirements.

#### HIGHLIGHTS

Continual health care facility upgrade through renovation and new construction of hospital facilities can create conditions that are hazardous to patients. Design and planning for such projects shall require consultation with infection control professionals and safety personnel, with documentation obtained to verify consultation. Early involvement of these professionals is required for an "Infection Control Risk Assessment" (ICRA).

An ICRA should be performed by a multidisciplinary panel with expertise in infectious disease, facility design and construction, ventilation, epidemiology and safety.

The ICRA shall address but not be limited to the following key elements:

- a) the impact of disrupting essential services.
  - b) patient placement and relocation.
  - c) placement of effective barriers to protect susceptible patients from airborne contaminants such as *Aspergillus* sp..
  - d) air handling and ventilation needs in surgical services, airborne infection isolation and protective environment rooms, laboratories, local exhaust systems for hazardous agents and other special areas.
  - e) determination of additional numbers of airborne infection isolation or protective environment room requirements.
  - f) consideration of the domestic water system to limit *Legionella* sp. and waterborne opportunistic pathogens.
- Control for clean to dirty airflow, interruption of utility and/or building equipment services and communication requirements shall be specified in the project bid documents.

Commissioning acceptance criteria for mechanical systems shall be specified. Crucial ventilation specifications for air balance and filtration shall be verified before owner acceptance. Areas requiring special ventilation include surgical services, protective environments, airborne infection isolation rooms, laboratories, and local exhaust systems for hazardous agents. These areas shall be recognized as requiring mechanical systems that ensure infection control, ventilation deficiencies shall not be accepted.

## SELECTED RECOMMENDATIONS

Airborne infection isolation rooms and protective environment rooms shall have a device to monitor either pressure or differential airflow and shall activate a local alarm in the event the desired status is no longer present. Protective environment rooms shall have a positive pressure with respect to adjoining spaces with all supply air passing through HEPA filters.

Psychiatric patient occupied areas shall have all air grilles and diffusers of a type that prohibits the insertion of foreign objects and all exposed fasteners shall be tamper-resistant.

General operating rooms shall have minimum clear area of 400 square feet (37.16 square meters).

Operating rooms for cardiovascular, orthopedic, neurological and other special procedures that require additional personnel and/or large equipment shall have a minimum clear area of 600 square feet (55.74 square meters).

Operating rooms for surgical cystoscopic and other endo-urologic procedures shall have a minimum clear area of 350 square feet (32.52 square meters).

Outpatient operating rooms have different (smaller) dimensions and classifications. Refer to guidelines for more information.

Ceiling finishes in restricted areas such as operating rooms and other rooms where open wounds are present shall be monolithic, scrubbable and capable of withstanding harsh chemicals. Cracks or perforations in these ceilings are not allowed.

Duct linings exposed to air movement shall not be used in ducts serving operating rooms, delivery rooms, LDR rooms, nurseries, protective environment rooms and critical care units. This requirement shall not apply to mixing boxes and acoustical traps that have special coverings over such lining.

All operating and delivery rooms shall have individual temperature control and systems must operate at all times. Air supply for operating and delivery rooms shall be from ceiling outlets near the center of the work area. (Design should consider turbulence and other factors of air movement to minimize the fall of particulates onto sterile surfaces).

Each operating or delivery room shall have a minimum of two return or exhaust openings located at least three inches above the floor and as remote from each other as possible. Supply and return/exhaust rates shall be controlled to maintain airflow from clean to less clean areas.

Airborne infection isolation rooms shall not be served by devices incorporating a heat wheel.

Provisions shall be made to allow field testing and certification of all HEPA filters.

Table 2 in the guideline provides ventilation requirements for areas affecting patient care in hospitals and outpatient facilities.

## OPERATING/SURGICAL CYSTOSCOPIC ROOMS AND DELIVERY ROOMS:

- 1) Positive pressure with relation to adjacent areas. (minimum of 0.01" water gage 2.5 Pa)
- 2) Minimum of 15 total air changes per hour.
- 3) Minimum of 3 air changes per hour of outside air.
- 4) Air can only be recirculated if it passes through a HEPA filter (refer to guidelines for some exceptions and more details).
- 5) Relative humidity between 30 – 60%.
- 6) Design temperature 68 – 73°F (20 – 23°C). Some surgeons may require temperatures outside of this range. All operating room design conditions should be developed in consultation with surgeons, anesthesiologists and nursing staff.
- 7) Number of air changes can be reduced during unoccupied times, however, provisions must be made to reestablish any time the area is being utilized and the direction of air movement (pressurization) must be maintained at all times.

## AVAILABILITY

Copies of this document can be ordered from the American Institute of Architects Bookstore online at [www.aia.org](http://www.aia.org)

### 3) GUIDELINE FOR PREVENTION OF SURGICAL SITE INFECTION, 1999 HOSPITAL INFECTIONS PROGRAM

NATIONAL CENTER FOR INFECTIOUS DISEASES  
CENTERS FOR DISEASE CONTROL AND PREVENTION  
PUBLIC HEALTH SERVICE  
US DEPARTMENT OF HEALTH AND HUMAN SERVICES

This is the most recent guideline from the Centers for Disease Control and Prevention and presents their recommendations for the prevention of surgical site infections. It updates and replaces previous guidelines.

#### COMMENTS

Probably the most comprehensive source available for medical information and causes of infections in operating rooms. HVAC information is very current with research findings.

#### HIGHLIGHTS

Currently in the United States alone, an estimated 27 million surgical procedures are performed each year.

The CDC's National Nosocomial Infections Surveillance (NNIS) system over a ten-year period (1986 – 1996) reported 15,523 surgical site infections (SSI's) following 593,344 operations (2.6%).

Of these SSI's approximately two thirds were confined to the wound or the incision and the remaining one third were considered deep SSI's involving organs or spaces accessed during the operation.

A 1992 analysis showed that each SSI resulted in an additional 7.3 postoperative hospital days adding \$3,152 in extra charges. Deep SSI's are associated with even greater increases in hospital stays and costs.

When patients with SSI's died, 77% of the deaths were reported to be related to the infection and the majority (93%) were serious infections involving deep SSI's.

SSI's remain a substantial cause of morbidity and mortality among hospitalized patients due to the emergence of antimicrobial-resistant pathogens, increased number of patients that are elderly and/or have a variety of chronic, debilitating or immunocompromising underlying diseases. Also increased numbers of organ transplant and prosthetic implant operations.

Operating room air may contain microbial-laden particles and has been shown as a transmission route of infection to the patient. The microbial level in the room air is proportional to the number of people moving about in the room.

All ventilation or air conditioning systems in hospitals, including those in operating rooms, should have two filter beds in series, with efficiency of the first filter bed being  $\geq 30\%$  and that of the second bed  $\geq 90\%$ .

This document refers to the American Institute of Architects Guidelines (see above) for recommendations on temperature and humidity.

Laminar airflow is designed to move ultra clean air over the aseptic operating field at a uniform velocity of 0.3 to 0.5 m/s (60 to 100 ft/min).

In a multicenter study involving 8,000 total hip and knee replacements, Lidwell et al. compared the effects of ultra clean air alone and found that the SSI rate decreased from 3.4% to 1.6%.

Intraoperative UV radiation has not been shown to decrease overall SSI risk.

There are no standardized parameters by which to compare microbial levels obtained from cultures of ambient air or environmental surfaces in the operating room, routine microbiologic sampling cannot be justified. Such environmental sampling should only be performed as part of an epidemiologic investigation.

#### SELECTED RECOMMENDATIONS

- 1) Maintain positive-pressure ventilation in the operating room with respect to corridors and adjacent areas. Category IB
- 2) Maintain at least 15 air changes per hour, of which at least 3 (20%) should be fresh air. Category IB
- 3) Filter all air, recirculated and fresh, through the appropriate filter beds per the American Institute of Architects recommendations. (see above) Category IB
- 4) Introduce all air at ceiling, and exhaust near the floor. Category IB
- 5) Do not use UV radiation in the operating room to prevent SSI. Category IB
- 6) Keep operating room doors closed except as needed for passage of equipment, personnel and the patient. Category IB
- 7) Consider performing orthopedic implant operations in operating rooms supplied with ultra clean air. Category II
- 8) Limit the number of personnel entering the operating room to necessary personnel. Category II
- 9) No recommendation on disinfecting environmental surfaces or equipment used in the operating room between operations or in the absence of visible soiling. Unresolved issue
- 10) Do not perform routine environmental sampling of the operating room. Perform microbiologic sampling of operating room environmental surfaces or air only as part of an epidemiological investigation. Category IB

**RANKINGS:**

Category IA – Strongly recommended for implementation and supported by well-designed experimental, clinical or epidemiological studies.

Category IB – Strongly recommended for implementation and supported by some experimental, clinical or epidemiological studies and strong theoretical rationale.

Category II – Suggested for implementation and supported by suggestive clinical or epidemiological studies and strong theoretical rationale.

No recommendation; unresolved issue – Practices for which insufficient evidence or no consensus regarding efficacy exists.

**AVAILABILITY**

Copies of this document can be downloaded free of charge from the Centers for Disease Control website [www.cdc.gov](http://www.cdc.gov)

#### 4) AMERICAN COLLEGE OF SURGEONS COMMITTEE ON OPERATING ROOM ENVIRONMENT

In a letter to the CDC dated August 1998, regarding the above guideline they have expressed general agreement.

They also have the above guideline and a summary available on their website. [www.facs.org](http://www.facs.org)

#### 5) GUIDELINES FOR ENVIRONMENTAL INFECTION CONTROL IN HEALTH-CARE FACILITIES, 2003 – CENTERS FOR DISEASE CONTROL AND PREVENTION

HEALTHCARE INFECTION CONTROL  
PRACTICES ADVISORY COMMITTEE (HICPAC)

**COMMENTS**

This document contains a great deal of very current and useful information and recommendations. It has extensive information on a variety of topics including protective environments, isolation areas, operating rooms, construction and renovation, HVAC systems, water systems, cooling towers, evaporative condensers, water treatment, etc.. It is an excellent source of various engineering recommendations and references for construction and renovation of healthcare facilities.

**HIGHLIGHTS**

Approximately 10% of healthy carriers will disseminate *Staphylococcus aureus* into the air (the most common pathogen associated with surgical site infection). Outbreaks of surgical site infections have been traced to airborne transmission from colonized operating room personnel to patients.

Microbiologic air sampling in operating and protective environment rooms remains controversial as there are no standards for comparison purposes. If performed it should be limited to determining the density of fungal spores per unit volume of air space. High numbers of spores may indicate contamination of air handling system components prior to installation, or a system deficiency when results are compared to known filter efficiencies and rates of air exchange.

No recommendations are given for bacterial or viral microorganism particulate evaluation. (Bacterial microorganisms represent the most common sources of surgical site infections.) No type of sampler and assay procedure exists which can be used to collect and enumerate 100% of airborne organisms.

Measurements can be adversely affected by many factors including filtration efficiency, air volume, outdoor air quality and volume, number of people in the room, the movement of the people, incubation periods of the specific particles, sampling intervals, sample locations, type and accuracy of samplers, various strains of particles, temperature, humidity, time of day or year, etc.. The microbial level in operating room air is directly proportional to the number of people moving about in the room. Operating rooms should be maintained at positive pressure with respect to corridors and adjacent areas. Air should be introduced at the ceiling and exhausted near the floor.

**SELECTED RECOMMENDATIONS**

Air-Handling Systems in Healthcare Facilities

- 1) Use AIA guidelines as minimum standards where state or local regulations are not in place for design and construction of ventilation systems in new or renovated health-care facilities. Ensure that existing structures continue to meet the specifications in effect at the time of construction. Category IC
- 2) Ensure that heating, ventilation, air conditioning (HVAC) filters are properly installed and maintained to prevent air leakages and dust overloads. Category IB
- 3) Monitor areas with special ventilation requirements (e.g., All or PE), for ACH, filtration, and pressure differentials. Category IB, IC
  - a. Develop and implement a maintenance schedule for ACH, pressure differentials, and filtration efficiencies using facility-specific data as part of the multidisciplinary risk assessment. Take into account the age and reliability of the system.
  - b. Document these parameters, especially the pressure differentials.
- 4) Engineer humidity controls into the HVAC system and monitor the controls to ensure proper moisture removal. Category IC
  - a. Locate duct humidifiers upstream from the final filters.

- b. Incorporate a water-removal mechanism into the system.
- c. Locate all duct takeoffs sufficiently down-stream from the humidifier so that moisture is completely absorbed.
- 5) Incorporate steam humidifiers, if possible, to reduce potential for microbial proliferation within the system, and avoid use of cool mist humidifiers. Category II
- 6) Prevent dust accumulation by cleaning air-duct grilles in accordance with facility-specific procedures and schedules when rooms are not occupied by patients. Category IC, II
- 7) Periodically measure output to monitor system function; clean ventilation ducts as part of routine HVAC maintenance to ensure optimum performance. Category II
- 8) Develop a contingency plan for backup capacity in the event of a general power failure. Category IC
  - a. Emphasize restoration of proper air quality and ventilation conditions in All rooms, PE rooms, operating rooms, emergency departments, and intensive care units. Category IC
  - b. Deploy infection-control procedures to protect occupants until power and systems functions are restored. Category IC
- 9) Do not shut down HVAC systems in patient-care areas except for maintenance, repair, testing of emergency backup capacity, or new construction. Category IB, IC
  - a. Coordinate HVAC system maintenance with infection-control staff to allow for relocation of immunocompromised patients if necessary. Category IC
  - b. Provide backup emergency power and air-handling and pressurization systems to maintain filtration, constant ACH, and pressure differentials in PE rooms, All rooms, operating rooms, and other critical-care areas. Category IC
  - c. For areas not served by installed emergency ventilation and backup systems, use portable units and monitor ventilation parameters and patients in those areas. Category II
  - d. Coordinate system startups with infection-control staff to protect patients in PE rooms from bursts of fungal spores. Category IC
  - e. Allow sufficient time for ACH to clean the air once the system is operational. (Appendix B, Table B.1). Category IC
- 10) Whenever feasible, design and install fixed backup ventilation systems for new or renovated construction for PE rooms, All rooms, operating rooms, and other critical care areas identified by ICRA. Category IC

## Infection-Control and Ventilation Requirements for Operating Rooms

- 11) Implement environmental infection-control and ventilation measures for operating rooms.
  - a. Maintain positive-pressure ventilation with respect to corridors and adjacent areas. Category IB, IC
  - b. Maintain  $\geq 15$  ACH, of which  $\geq 3$  ACH should be fresh air. Category IC
  - c. Filter all recirculated and fresh air through the appropriate filters, providing 90% efficiency (dust-spot testing) at a minimum. Category IC
  - d. In rooms not engineered for horizontal laminar airflow, introduce air at the ceiling and exhaust air near the floor. Category IC
  - e. Do not use UV lights to prevent surgical-site infections. Category IB
  - f. Keep operating room doors closed except for the passage of equipment, personnel, and patients, and limit entry to essential personnel. Category IB
- 12) No recommendation is offered for performing orthopedic implant operations in rooms supplied with laminar airflow. Unresolved issue.
- 13) Maintain backup ventilation equipment (e.g., portable units for fans or filters) for emergency provision of ventilation requirements for operating rooms, and take immediate steps to restore the fixed ventilation system function. Category IB, IC

**Note:** They define laminar flow as HEPA filtered air that is blown into the room at a rate of 90 +/- 10 ft./min. in an unidirectional pattern with 100 – 400 ACH.

### RANKINGS:

Category IA – Strongly recommended for implementation and strongly supported by well-designed experimental, clinical or epidemiological studies.

Category IB – Strongly recommended for implementation and supported by certain experimental, clinical or epidemiological studies and a strong theoretical rationale.

Category IC – Required by state or federal regulation, or representing an established association standard.

Category II – Suggested for implementation and supported by suggestive clinical or epidemiological studies or a theoretical rationale.

Unresolved issue – No recommendation is offered. No consensus or insufficient evidence exists regarding efficacy.

### AVAILABILITY

Copies of this document can be downloaded free of charge from the Centers for Disease Control website at the following address.

[www.cdc.gov/ncidod/hip/enviro/guide.htm](http://www.cdc.gov/ncidod/hip/enviro/guide.htm)

## 6) DEPARTMENT OF VETERANS AFFAIRS

DESIGN INSTRUCTIONS TO ARCHITECTS AND ENGINEERS  
 HVAC DESIGN MANUAL FOR HOSPITAL/REPLACEMENT  
 HOSPITAL/AMBULATORY CARE/CLINICAL ADDITION/ENERGY CENTER/SATELLITE OUTPATIENT CLINIC PROJECTS  
 (FEBRUARY 1, 2000)

### COMMENTS

Very informative source for detailed requirements in hospital HVAC systems. Specifically intended for VA hospitals but very useful for other projects.

### HIGHLIGHTS

Operating room design conditions –  
 Summer 19°C (68°F) Db – 55% RH  
 Winter 23°C (75°F) Db – 50% RH  
 All thermostats adjustable from 15°C (60°F) to 29°C (85°F).  
 Operating Rooms 15 ACH (occupied) – 8 ACH (unoccupied).  
 100% outdoor air supply to operating rooms.  
 Operating rooms – design noise criteria NC 40.  
 Constant volume terminal reheat system (2 position) for operating rooms.  
 Filter efficiencies  
 – operating rooms – 30% pre-filters, 95% after-filters  
 – orthopedic surgery – 30% pre-filters, HEPA (99.97%) after-filters  
 Duct lining –  
 Air terminal units in supply air duct for operating rooms shall be unlined.  
**Note:** Air terminal units with factory applied fiberglass liner, coated to prevent erosion and no exposed edges, is permitted in terminal units located downstream of after-filters in other areas.  
 Each operating room shall have individual temperature and humidity control.  
 Exhaust duct shall be equipped with corresponding 2 position tracking airflow to maintain pressure relationship during occupied and unoccupied times.

Air Distribution in Surgery Suite – supply air duct on the downstream side of the after-filters shall be stainless steel with air tight access panels at each elbow and at 6 m (20 ft) intervals on straight runs. The air distribution for each OR shall have stainless steel multiple slot panel diffusers positioned around operating tables to discharge 70% supply air in a vertical air stream inclined at a 15° outward angle. The remaining 30% supply air shall be delivered downward over the operating area using perforated face outlets. Provide a minimum of two exhaust registers in each OR located diagonally opposite each other seven inches above the finished floor. The exhaust air quantity shall be at least 15% less than the supply air to maintain positive pressure between the OR and the adjoining areas.

Individual terminal humidifier for each OR on the downstream side of the dedicated constant volume reheat air terminal unit.

Each OR shall be furnished with temperature and humidity recorders to keep a continuous record.

Surgical Light Fixture – Note the location of the mounting plate is not to be placed directly over the operating table. That zone must be kept unobstructed for the supply air outlet and the plenum serving it above the ceiling.

### AVAILABILITY

Copies of this document can be downloaded free of charge from the department of Veterans Affairs website at [www.va.gov/facmgt/standard/](http://www.va.gov/facmgt/standard/)

## 7) FEDERAL STANDARD 209E – SEPTEMBER 11, 1992

AIRBORNE PARTICULATE CLEANLINESS  
CLASSES IN CLEANROOMS AND CLEAN ZONES

### COMMENTS

Very detailed standard on testing cleanrooms and procedures and equipment used. Has little or nothing relevant to operating room design, classification, or evaluation of the effectiveness of the air system in controlling airborne microbiological contaminants. Commonly cited by manufacturers in their testing and evaluation of operating room systems.

### HIGHLIGHTS

This document establishes standard and alternate classes of air cleanliness for cleanrooms and clean zones based on specified concentrations of airborne particles.

This document is not intended to characterize the physical, chemical, radiological, or viable nature of airborne particles. No universal relationship has been established between the concentration of airborne particles and the concentration of viable airborne particles.

The following table defines the various airborne particulate cleanliness classes. The limits shown are the number of particles per unit volume equal to or larger than the sizes shown.

### AVAILABILITY

The U.S. General Services Administration (GSA) has released, on November 29, 2001, a notice of cancellation for this standard. It is now superseded by ISO 14644-1 Part 1: Classification of Air Cleanliness; and ISO 14644-2 Part 2: Specifications For Testing and Monitoring to Prove Continued Compliance with ISO 14664-1.

Class Name**		Class Limits									
		0.1 μm		0.2 μm		0.3 μm		0.5 μm		5 μm	
		Volume Units		Volume Units		Volume Units		Volume Units		Volume Units	
SI	English***	(m <sup>3</sup> )	(ft. <sup>3</sup> )	(m <sup>3</sup> )	(ft. <sup>3</sup> )	(m <sup>3</sup> )	(ft. <sup>3</sup> )	(m <sup>3</sup> )	(ft. <sup>3</sup> )	(m <sup>3</sup> )	(ft. <sup>3</sup> )
M 1		350	9.91	75.7	2.14	30.9	0.875	10.0	0.283	–	–
M 1.5	1	1240	35.0	265	7.50	106	3.00	35.3	1.00	–	–
M 2		3500	99.1	757	21.4	309	8.75	100	2.83	–	–
M 2.5	10	12400	350	2650	75.0	1060	30.0	353	10.0	–	–
M 3		35000	991	7570	214	3090	87.5	1000	28.3	–	–
M 3.5	100	–	–	26500	750	10600	300	3530	100	–	–
M 4		–	–	75700	2140	30900	875	10000	283	–	–
M 4.5	1000	–	–	–	–	–	–	35300	1000	247	7.00
M 5		–	–	–	–	–	–	100000	2830	618	17.5
M 5.5	10000	–	–	–	–	–	–	353000	10000	2470	70.0
M 6		–	–	–	–	–	–	1000000	28300	6180	175
M 6.5	100000	–	–	–	–	–	–	3530000	100000	24700	700
M 7		–	–	–	–	–	–	10000000	283000	61800	1750

**TABLE 5: FEDERAL STANDARD 209E**

Airborne particulate cleanliness classes – class limits are given for each class name. The limits designate specific concentrations (particles per unit volume) of airborne particles with sizes equal to and larger than the particle size shown.



**8) INTERNATIONAL STANDARD – ISO 14644-1**

FIRST EDITION 1999-05-01  
 CLEANROOMS AND ASSOCIATED CONTROLLED ENVIRONMENTS – PART 1: CLASSIFICATION OF AIR CLEANLINESS

**COMMENTS**

This standard is similar to the now cancelled FED-STD-209E which it replaces. This part of ISO 14644 covers the classification of air cleanliness in cleanrooms and associated controlled environments exclusively in terms of concentration of airborne particles.

**HIGHLIGHTS**

The standard provides various definitions related to cleanrooms such as airborne particles, U and M descriptors, occupancy states and classifications. It defines the proper designation of airborne particulate cleanliness as well as a reference test method for compliance, test report criteria and statistical treatment of particle concentration data.

**AVAILABILITY**

Copies of this standard, as well as other standards and publications relating to cleanrooms can be purchased from the Institute of Environmental Sciences and Technology (IEST). Visit their website and online publication store at [www.iest.org](http://www.iest.org)

**9) DEFINITION OF SURGICAL MICROBIOLOGIC CLEAN AIR COMMITTEE ON OPERATING ROOM ENVIRONMENT, AMERICAN COLLEGE OF SURGEONS**

REPRINTED FROM THE AMERICAN COLLEGE OF SURGEONS BULLETIN – JANUARY 1976

**COMMENTS**

Some manufacturers refer to this document when evaluating the effectiveness of their air distribution system. This document is no longer available from the American College of Surgeons. It was a tentative definition of air cleanliness classes, however it is not referenced in any of the above standards or guidelines and has not been adopted by any authorities as a valid classification. It was intended to be an initial working document with the suggestion that specialty societies and the National Research Council develop the concept of a definition further. It does not define proper testing methods, criteria, equipment or conditions.

The current medical literature disputes the types and quantities of microbiologic particles necessary for an infection to occur and until further research is done they do not advocate the microbiologic testing of air except as part of an investigation to determine the specific sources of various infections. One such investigation has found infection outbreaks in protective environment areas where fungal spore concentrations ranged as low as 0.025 – 0.062 colony forming units per cubic foot of air (40 times lower than Class 1). Current guidelines from the CDC state that there are no standards available for comparison purposes, however, if microbiologic sampling is performed it should be limited to determining the density of fungal spores per unit volume of air space. High numbers of spores may indicate contamination of air handling system components prior to installation, or a system deficiency when culture results are compared to known filter efficiencies and rates of air exchange. No recommendations are given for bacterial or viral microorganism particulate evaluation. Bacterial microorganisms are the most common sources of surgical site infections.

Measurements can be adversely affected by many factors including filtration efficiency, air volume, outdoor air quality and volume, number of people in the room, the movement of the people, incubation periods of the specific particles, sampling intervals, sample locations, type and accuracy of samplers, various strains of particles, temperature, humidity, time of day or year etc...

ISO Class	Concentration Limits, Particles per Cubic Metre					
	0.1 µm	0.2 µm	0.3 µm	0.5 µm	1 µm	5 µm
1	10	2				
2	100	24	10	4		
3	1,000	237	102	35	8	
4	10,000	2,370	1,020	352	83	
5	100,000	23,700	10,200	3,520	832	29
6	1,000,000	237,000	102,000	35,200	8,320	293
7				352,000	83,200	2,930
8				3,520,000	832,000	29,300
9				35,200,000	8,320,000	293,000

**TABLE 6: ISO 14644-1 CLASSIFICATION OF AIR CLEANLINESS**

Selected airborne particulate cleanliness classes for cleanrooms and clean zones. This table shows maximum concentration limits for particles equal to and larger than the considered sizes shown.

## HIGHLIGHTS

This definition is presented by the Committee on Operating Room Environment as a concept of a tentative statement of the definition of microbiologic air cleanliness in response to a resolution adopted in November 1974 at a workshop jointly sponsored by the Academy of Orthopaedic Surgeons and the Assembly of Life Sciences of the National Research Council held in Washington, D.C.

States that Federal Standard 209B (now superceded by ISO 14644) does not provide adequate definitions and that there is no consistent ratio between viable (microbially inhabited) airborne particulates and nonviable ones.

The objective of this definition is to establish a classification of environmental air cleanliness so that its effects can be evaluated and controlled.

## DEFINES THREE CLASSES:

**CLASS 1 MICROBIOLOGIC CLEANLINESS:** Viable microbiologic airborne particle counts not to exceed one particle per cubic foot of air with minimum sample of 30 cubic feet of air.

**CLASS 5 MICROBIOLOGIC CLEANLINESS:** Viable microbiologic airborne particles to average more than one and up to five per cubic foot of air with minimum sample of 30 cubic feet of air.

**CLASS 20 MICROBIOLOGIC CLEANLINESS:** Viable microbiologic airborne particles to average more than five and not to exceed twenty per cubic foot of air with minimum sample of 10 cubic feet of air.

## AVAILABILITY

This document is no longer available from the American College of Surgeons.

## 10) MILITARY HANDBOOK MIL-HDBK-1191

DEPARTMENT OF DEFENSE - UNITED STATES OF AMERICA

MEDICAL AND DENTAL TREATMENT FACILITIES DESIGN AND CONSTRUCTION CRITERIA

CHAPTER 8 – HEATING VENTILATION AND AIR CONDITIONING

## COMMENTS

General guidelines for design and construction. References ASHRAE and other sources for specific information.

## HIGHLIGHTS

All air supplied to cardiac catheterization rooms (hospital based), delivery rooms, nurseries, operating rooms, specialized patient bedrooms and surgical cleanrooms shall be as specified in Appendix A. Air movement shall range from a preferred 25 fpm (0.127 m/s) to a maximum of 100 fpm (0.508 m/s) over the sterile field.

There should be a minimum of two exhaust registers in each room with bottoms not less than 6 inches (150 mm) nor more than 9 inches (230 mm) above the finished floor and diagonally opposite each other.

Appendix A gives very detailed room specific design requirements, for all room types, for architects and engineers. Ex: Operating rooms for cardiothoracic surgery, neurosurgery, orthopedic surgery have the following design conditions: positive pressure with room exhaust 20% less than supply, minimum 15 ACH total with minimum of 5 ACH outside air, 68 – 76°F (20 – 24°C), 50 – 60% relative humidity, room sound level NC 30 – 35 and 99.97% HEPA filters. Operating rooms for cystoscopic surgery, general surgery, outpatient surgery and labor/delivery rooms have the same requirements but with 90% final filters.

Air supply shall be 15 ACH unless a higher rate is required to meet cooling requirement and may be totally exhausted when the room is in use. The option as to whether to utilize recirculated air during an operation is left to the discretion of the individual military departments. Should recirculated air be utilized, the minimum outside air requirements would apply. During periods of non-use, either (1) 75% of the air may be recirculated or (2) air volume may be reduced to 3 ACH while maintaining the required air balance. All systems shall, if cost effective, use exhaust air energy recovery to precondition the incoming outside air.

Provide adjustable (to user) thermostat and humidistat within the room.

For isolation rooms used for patients with a high susceptibility to infection from leukemia, burns, bone marrow transplant, organ transplant or AIDS, HEPA filters should be used on air supply system.

## AVAILABILITY

Copies of this document can be downloaded free of charge from the Department of Defense website at <http://stinet.dtic.mil>

## 11) CSA STANDARD Z317.2.01 – SPECIAL REQUIREMENTS FOR HEATING, VENTILATION, AND AIR CONDITIONING (HVAC) SYSTEMS IN HEALTH CARE FACILITIES

### COMMENTS

Very detailed standard for the design and construction of healthcare facilities in Canada. It forms part of the Canadian building code requirements.

### HIGHLIGHTS

All rooms and areas within a health care facility shall be ventilated to ensure an air exchange adequate to control contaminant levels, temperature and humidity. The ventilation system shall be designed to provide air movement that is generally from clean to less clean areas. Air quality guidelines shall be developed for all occupants, functions, procedures and areas in the health care facility at the conceptual design stage. HVAC systems shall be designed, installed, operated and maintained to minimize the potential for infection via airborne transmission. Smoke management shall be part of the HVAC system design and shall be approved by the authority having jurisdiction in the early stages of design.

### SELECTED RECOMMENDATIONS

Air handling systems for Class I areas (operating rooms, recovery rooms, intensive and cardiac care, delivery rooms etc...) may operate at a minimum level when the space is unoccupied. A minimum level shall consist of at least 6 ACH of recirculated air and the maintenance of pressure relationships with adjacent areas.

Where present, HEPA filters in the supply air system shall be; located at the point where the air enters the room; provided with test ports before and after the filters and tested for integrity using a scan test upon installation; designed to permit removal, disposal and replacement of filters without introducing contamination into the downstream air delivery system or the area being served; and provided with a means to indicate operating pressure drop via the building management system or a local alarm. Access doors shall be located at not more than 6 m (20 ft.) intervals on supply air ductwork installed after a HEPA filter. Diffuser, grille and register cores in air systems shall be removable for cleaning.

Class I air handling systems shall be cleaned and disinfected prior to occupancy.

The pressure differential between areas shall be greater than 0.762 mm (0.03") of water pressure.

Air supply for operating rooms, delivery rooms and other rooms used for invasive procedures shall be through non-aspirating ceiling outlets near the centre of the work area. Each operating and delivery room shall have at least two return or exhaust air inlets located remotely from each other. The position of the inlets shall be such

that areas without air movement (i.e. dead zones) are minimized. The bottom ventilation (return/exhaust) openings shall be at least 75 mm (3") above the floor. Low-level grille cores shall be removable with 1/4 turn fasteners for cleaning, leaving the mounting frame in place. (Note: Operating room supply, exhaust/return grilles and air boots shall be manufactured from material that can be disinfected (eg. stainless steel)).

Operating rooms, delivery rooms, intensive care units and other such places where it is impractical to move a patient in an emergency shall be provided with a mechanical air supply that will continue to operate in a fire to assist in keeping the areas smoke free.

Table 1 provides specific HVAC criteria for all areas of the facility: (Example: Operating rooms – minimum outdoor air 6 ACH, minimum total air 20 ACH, positive pressure, temperature 17 – 27°C (63 – 81°F), relative humidity 45 – 55%).

Table 4 provides filter efficiencies for various room types (Example: Specialized operating rooms, isolation rooms – 99.97% DOP and patient care areas 90% (ANSI/ASHRAE Standard 52.1)).

Table 7 provides noise levels for the various room types (Example: Operating rooms, private rooms, intensive care unit, coronary care unit 25 – 35 RC (neutral)).

### AVAILABILITY

Copies of this document can be purchased from the Canadian Standards Association online at [www.csa.ca](http://www.csa.ca)

**12) CONSTRUCTION-RELATED  
NOSOCOMIAL INFECTIONS IN  
PATIENTS IN HEALTH CARE FACILITIES:  
DECREASING THE RISK OF  
ASPERGILLUS, LEGIONELLA AND  
OTHER INFECTIONS**

CCDR VOLUME: 27S2

JULY, 2001

DIVISION OF NOSOCOMIAL AND  
OCCUPATIONAL INFECTIONS  
BUREAU OF INFECTIOUS DISEASES,  
CENTRE FOR DISEASE PREVENTION & CONTROL  
POPULATION AND PUBLIC HEALTH BRANCH  
HEALTH CANADA

**COMMENTS**

This document contains some very useful suggestions for decreasing the risk to patients and healthcare workers during construction and renovation. It summarizes some documented cases of infections and deaths associated with construction activity. It provides a risk assessment and preventative measures checklist. It also provides a detailed specification on the infection prevention and control measures that should be undertaken. It recommends various procedures, preventative measures and construction techniques that should be considered before, during and after construction.

**AVAILABILITY**

Copies of this document can be downloaded free of charge from Health Canada's website  
[www.hc-sc.gc.ca/pphb-dgsp/dpg\\_e.html](http://www.hc-sc.gc.ca/pphb-dgsp/dpg_e.html)