

SEIFERT X-ray Tube housings

Tube housings for Analytical Purposes



Features

V 4 / model 11
tube housing with 1 window shutter

V 4 / model 14
tube housing with up to 4 window shutters

Two different types of X-ray tube housings V4/model 11 or V4/model 14 are available in which short or long anode X-ray tubes can be inserted (long anode version requires a distance ring).

GE imagination at work



Description

Each tubehousing has four sides and each one can be equipped with a line or point focus shutter assembly. The number of shutter assemblies is coded by an x for 1 to a maximum of 4 assemblies.

Non-utilized sides of the tubehousing are closed by sealing plates.

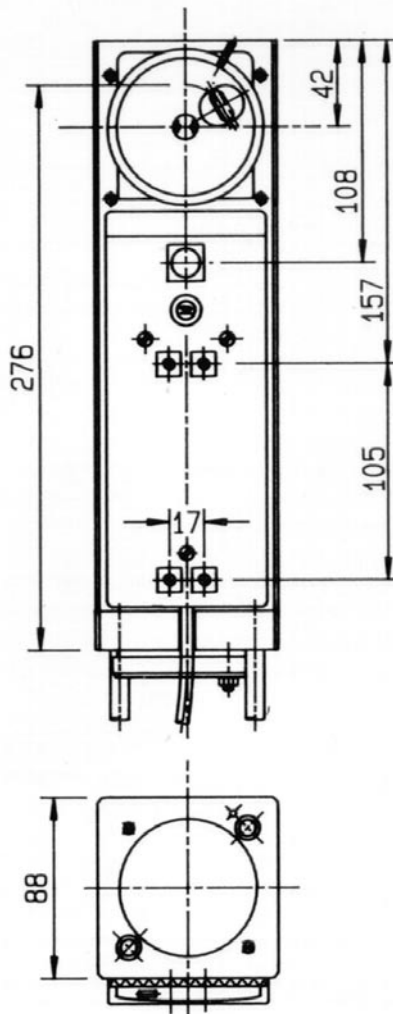
Each shutter assembly can be separately connected with the X-ray generator ISO-DEBYEFLEX 3003. It has associated mechanically- and electrically-operated shutter and a filter-disc in between. The filter-disc has 6 sectors, can be rotated and contains filters of V, Mn, Fe, Ni and Zr whilst the sixth sector is left free for use of another type of filter or for analyzes without filter.

Additionally, a microswitch is part of the control circuit of the electrically-operated shutter. The open shutter-position is indicated by a red LED signal strip in a fail-safe system.

The V4/model 14 tubehousing is designed for use either in a vertical set-up (fixed by 4 screws through the flange) or in a horizontal set-up mounted onto the attachments like film chambers, monochromators etc. can be mounted or positioned.

The V4/model 11 tubehousing is manufactured without a flange to be mounted at a sealing plate side and therefore can be equipped with a maximum of 3 shutter assemblies only.

V 4 / Model 11



V 4 / Model 14

