



As a rule, any flat fan or solid stream nozzle can be operated with air instead of liquid. However, you'll obtain the best results using the nozzle designs we specifically engineered for compressed air or saturated steam applications. Typical applications for Lechler air nozzles include blowing off or out, cooling, drying, or cleaning.

**The problem: noisy air sprayers**

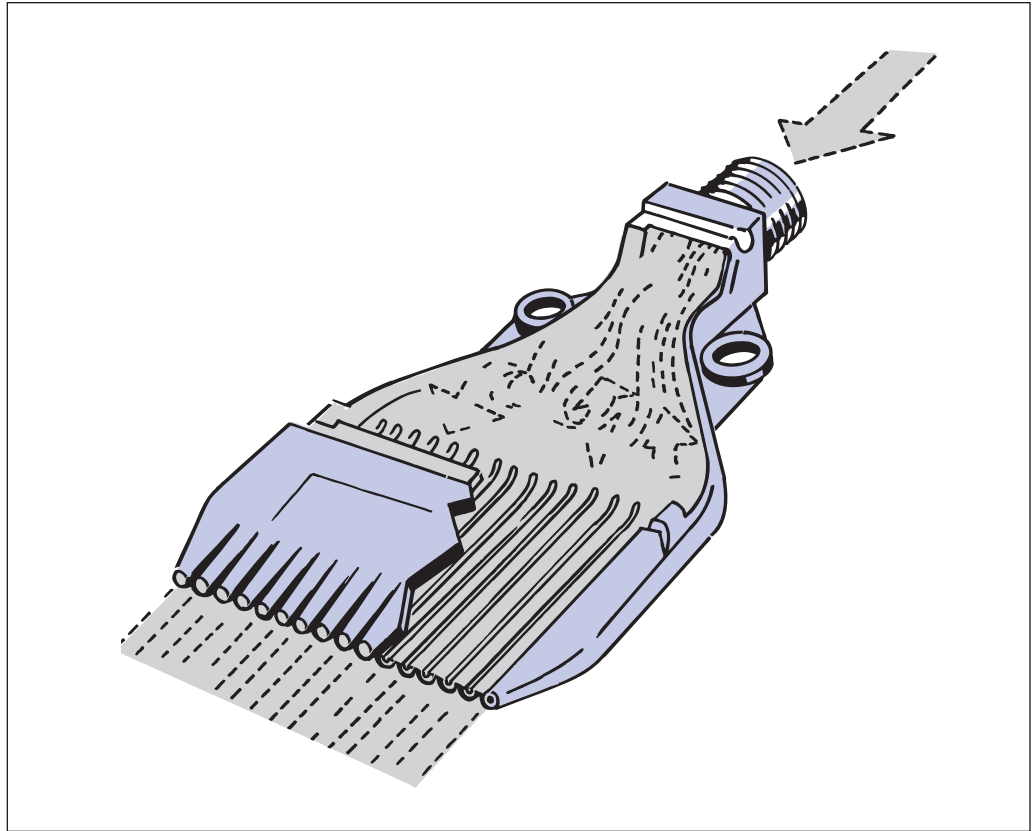
In many industries and workshops, compressed air is an indispensable tool.

Compressed air is needed for cleaning, drying, blowing off, and many other applications.

Typically, when uncontrolled compressed air is used, annoying, high-frequency hissing noises occur, which can affect or even harm hearing. These "noises" are produced by turbulences generated at the air outlet. Their intensity depends on the shape of the nozzle orifice and on the amount of inlet air pressure. Therefore, the stronger the output air jet needs to be, the higher the noise level, air consumption, and cost as a result.

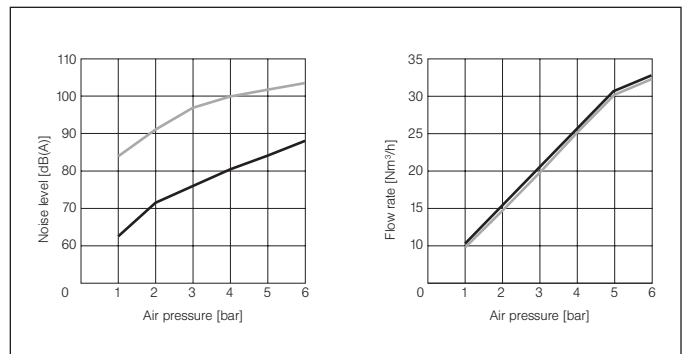
**The solution: Lechler multi-channel air nozzles, featuring a significantly reduced sound level, high blowing power, and low air consumption.**

The performance of multi-channel air nozzles is based on partitioning the air inflow into single air jets. A total of 16 air channels, arranged to ensure optimum flow conditions, provides for a uniform, straight, and powerful overall air jet.



**In comparison to single-hole air nozzles, the advantages are as follows:**

- Reduction of the noise level by up to 12 dB
- Lower inlet air pressure with the same blowing force
- Lower air consumption
- Better blowing effect over a greater distance
- Lower operating costs



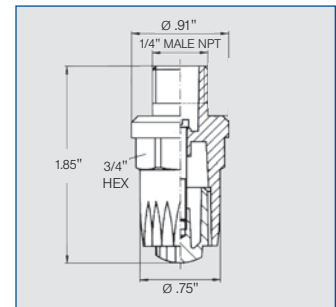
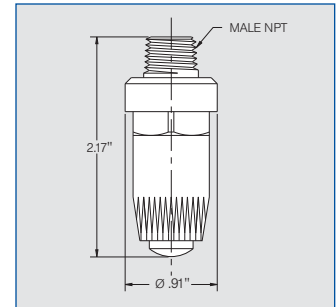
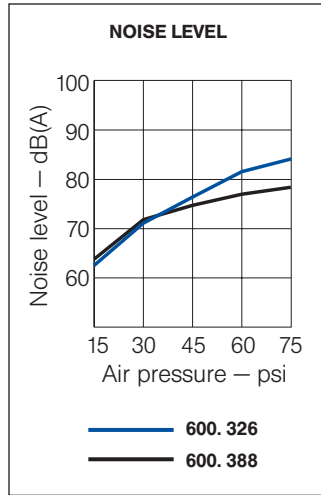
Comparison of a conventional, single-hole nozzle with the Lechler multi-channel round jet nozzle type 600.326

- Lechler multi-channel round jet nozzle
- Conventional single-hole nozzle

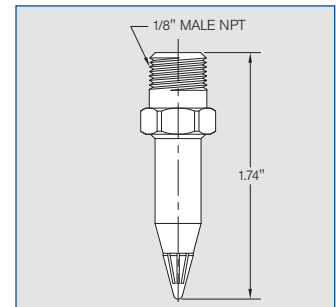


**WHISPERBLAST® compressed air nozzles**  
**Round**  
**Series 600**

Provides focused blasting power with minimal air consumption and noise. Round configuration excellent for spot blasting, clearing holes, or use on hand guns.



Round WHISPERBLAST gives a focused blast with low air consumption. Best for hand gun use.



Type	Ordering no.			Description	Capacity for Air (Standard Cubic Feet per Minute)					Approx. Wt. (lb.)	Max. Pressure	Max. Temp. °F		
	Material no.				Connection		15 psi	30 psi	45 psi				60 psi	75 psi
	Brass 30	ABS 5K	Zinc 3W		1/8"	1/4"								
600.326	○	○	-	BA BC	Round WHISPERBLAST	5.3	8.8	12.4	16.0	19.5	0.05	100 psi	120	
600.326	-	-	○	- BC	Round WHISPERBLAST	5.3	8.8	12.4	16.0	19.5	0.10	100 psi	200	
600.388	○	-	-	BA -	MiniBlast	3.0	4.6	6.2	7.8	9.4	0.14	100 psi	120	

Example Type + Material no. + Conn. = Ordering no.  
 for ordering: 600.326 + 5K + BC = 600.326.5K.BC

Please see the Lances and Nozzle Headers section for various configurations to mount your WHISPERBLAST air nozzles beginning on page 141.

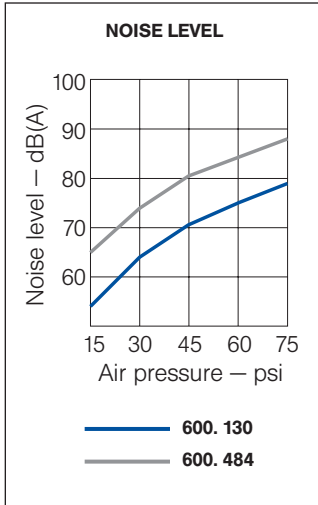


# WHISPERBLAST® compressed air nozzles

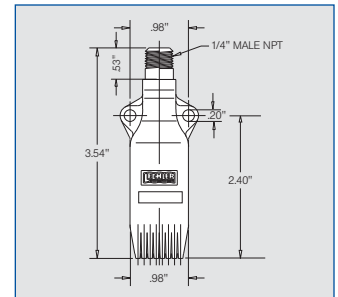
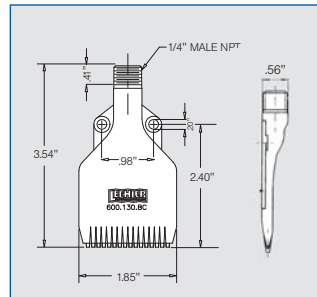
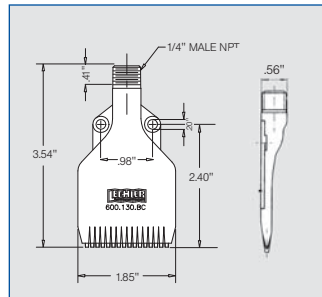
Flat

Series 600 Plastic version

Provides focused blasting power with minimal air consumption and noise. Flat configuration can be used individually or side-by-side to create a very effective air knife.



**NEW:**  
Polypropylene for the food industry  
(FDA-conform material)



While standard plastic WHISPERBLAST nozzles come in a distinctive blue color, model 600.130.S2.BC is made from natural Polypro, a colorless material. Since no color dyes have been added to this model, it meets FDA requirements for use in food or pharmaceutical applications. See page 24.

Type	Ordering no.		Description	Accessories	Capacity for Air (Standard Cubic Feet per Minute)				Approx. Wt. (lb.)	Max. Pressure	Max. Temp. °F
	Material no.	Connection			15 psi	30 psi	45 psi	60 psi			
	Natural PP <b>S2</b>	POM <b>56</b>	1/4" Male NPT Hose Barb								
<b>600.130</b>	○	○	<b>BC</b> -		6.5	10.8	14.9	19.1	.05	75 psi	120
<b>600.130</b>	-	○	- <b>01</b>	Hose nipple (5/16" barb) Steel Extension (L=3.3")	6.5	10.8	14.9	19.1	.05	75 psi	120
<b>600.484</b>	-	○	<b>BC</b> -		3.1	4.7	6.4	8.0	.03	75 psi	120

**Example for ordering:** Type **600.130** + Material no. **56** + Conn. **BC** = Ordering no. **600.130.56.BC**



Please see the Lances and Nozzle Headers section for various configurations to mount your WHISPERBLAST air nozzles beginning on page 141.



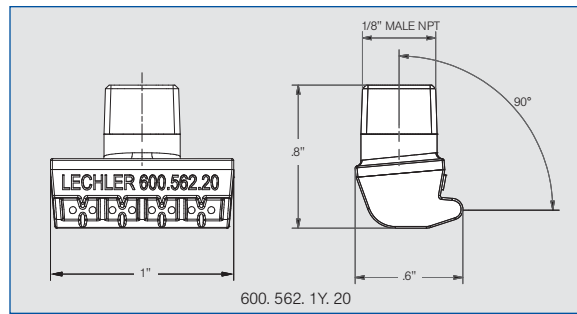
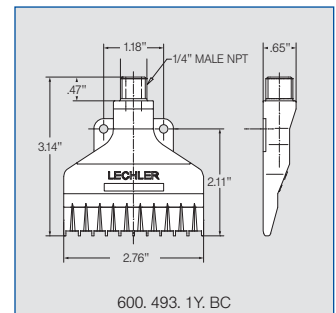
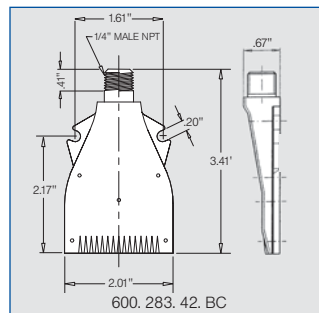
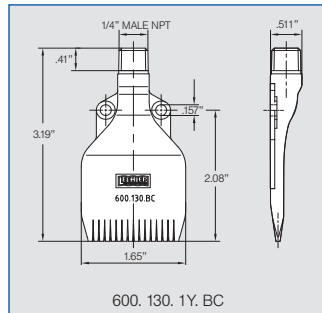
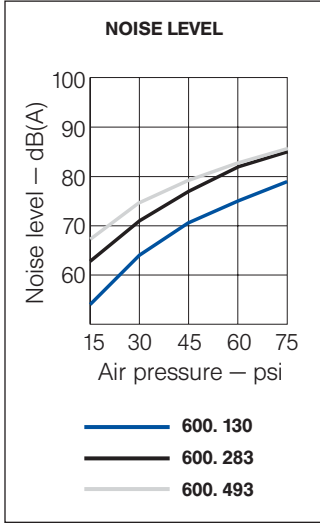


# WHISPERBLAST® compressed air nozzles

## Flat

### Series 600 Metal version

Provides focused blasting power with minimal air consumption and noise. Flat configuration can be used individually or side-by-side to create a very effective air knife.



Type	Ordering no.			Description	Capacity for Air (Standard Cubic Feet per Minute)				Approx. Wt. (lb.)	Max. Pressure	Max. Temp. °F
	Material no.		Connection		15 psi	30 psi	45 psi	60 psi			
	316L SS 1Y	Aluminum 42	Male NPT 1/8" 1/4"								
<b>600.130</b>	○	-	- BC	Flat WHISPERBLAST	6.5	10.8	14.9	19.1	.05	75 psi	1000
<b>600.283</b>	-	○	- BC	Aluminum flat WHISPERBLAST	8.5	13.5	18.6	23.8	.14	120 psi	400
<b>600.493</b>	○	-	- BC	Flat WHISPERBLAST	11.1	16.9	22.7	28.5	.28	150 psi	1000
<b>600.562</b>	○	-	20 -	Tangential air nozzle	-	5.3	-	-	.06	150 psi	356

**Example for ordering:** Type + Material no. + Conn. = Ordering no.  
 600.130 + 1Y + BC = 600.130.1Y.BC

Please see the Lances and Nozzle Headers section for various configurations to mount your WHISPERBLAST air nozzles beginning on page 141.

