



Governale®

The Comfort and Style of Hydronic Heat



Cast Iron Radiation



Governale®

Your Answer to Comfort and Style with Hydronic Heat

Governale's wide range of heat distribution products, from radiators to cabinets and elements to a full line of accessories, is your answer to heating when combining comfort and style. By offering this full line, Governale is able to provide homeowners, like you, all the resources of a recognized industry leader with a reputation for quality and dependability that dates back to 1917. Governale also supports your local contractor with individual, attentive and prompt service which means better service for you.



And it doesn't stop there—since the Governale team is equipped with the technical and practical knowledge that only comes from years of experience, we truly understand the importance of quality heating systems. Quality is our primary concern.

Combining a full product line with a rich history and committed staff makes Governale the recognized leader in high quality heating units for steam and hot water systems.

Governale Company Inc.

788 Williams Avenue • Brooklyn, NY 11207 • 718-272-2300 • Fax 718-272-3776
www.governalerad.com

Victoria

Stylish Cast Iron Radiator



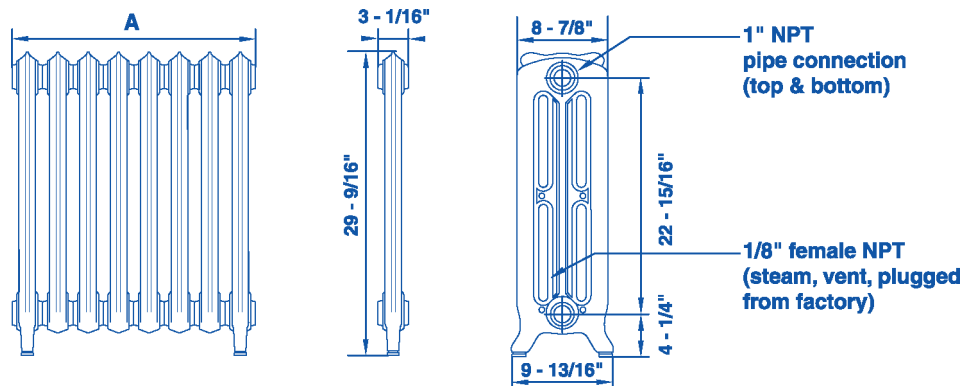
The design of the Victoria radiator is exceptionally functional, as well as beautiful. The timeless elegance of ornate casting makes this radiator the perfect selection for any style or time period home, whether traditional, modern or historical.

- durable for long life with cast iron
- pre-painted and ready to install
- stylish brass valves available

Dimensions

- All steam vent tappings 1/8" NPT
- All pipe tappings 1" NPT
- Maximum working pressure: 15 psi steam, 30 psi water
- Water content - .61 gal/section

VALVES AND ACCESSORIES	
VR54005	Brass Isolation Valve
VR54006	Brass Balancing Valve
VR54001	3/4" Plug Kit
VR54002	3/4" Plug Kit
VR54014	1" Plug Kit
VR54015	1" Plug Kit
VR54003	Assembling Kit
VR54004	Assembling Tool



Ratings

MODEL NO.	VR-3-CF	VR-5-CF	VR-7-CF	VR-9-CF	VR-5-AF	VR74011
# of Sections	3	5	7	9	5-Intermed.	end section /vent
Width in Inches 'A'	9.2	15.4	21.5	27.6	15.4	3.1
Square Ft. - EDR	9.2	15.3	21.4	27.5	15.3	3.1
Water Output BTU/H (180° F Avg. Temp.)	1564	2618	3655	4692	2618	524
Steam Output BTU/H (215° F Avg. Temp.)	2208	3672	5136	6600	3672	734
Shipping Weight	77	129	177	226	129	26

Gov-Ray

Recessed Cast Iron Radiator

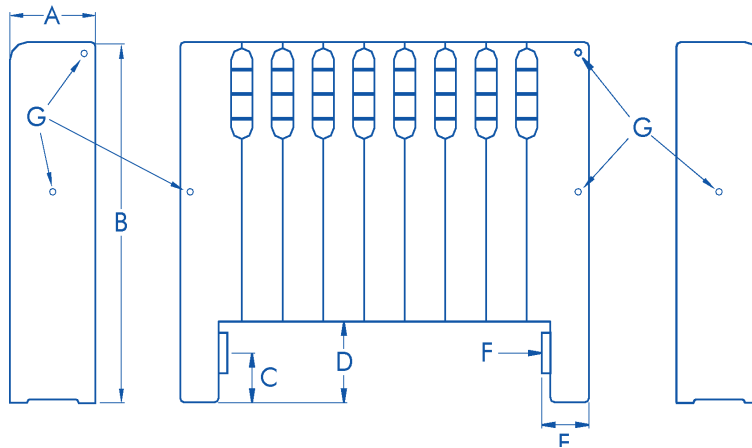


Gov-Ray radiators can be recessed into your wall—which makes it very space efficient in tight situations. The radiant heat combines with convected heat to shield outside walls and windows, stopping cold air from coming into your house and warm air leaving.

- snap-on grilles are recessed for attractive, unobtrusive installation
- all pipe connections are on the inside reducing required clearances for installation
- a continuous flow of radiant and convected heat

Dimensions

- All steam vent tappings 1/8" NPT
- All bottom tappings 1-1/4" NPT
- Recess should be 1/2" longer & 1/4" higher than radiator
- Maximum working pressure: 15 psi steam, 30 psi water
- Length is 2-1/4" per section
- Water content 0.15 gal./section



A	5"
B	20"
C	2-3/4"
D	4-1/2"
E	1-7/8"
F*	1-1/4" NPT
G*	1/8" NPT

Ratings per Section

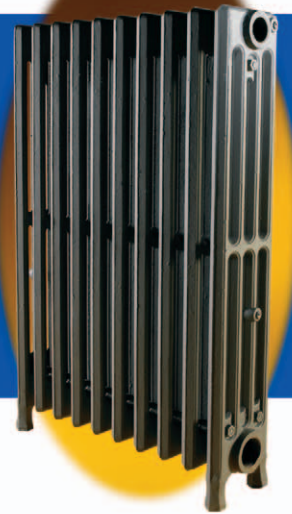
STEAM	540 BTU
WATER TEMP AT	
220	562 BTU
215	540 BTU
210	517 BTU
200	472 BTU
190	427 BTU
180	382 BTU
170	337 BTU
160	292 BTU
150	247 BTU

Gov-Free

Freestanding Cast Iron Radiator

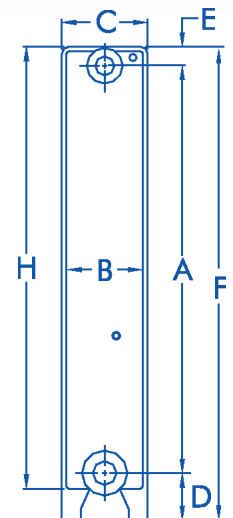
This is the radiator recognized by most people as being "traditional." This radiant heat—combined with convected heat—provides a warm comfortable environment for your family. It shields outside walls and windows to stop cold air from infiltrating.

- freestanding radiation
- 3 sizes and up to 56 sections allows for practically any installation application
- efficient radiator replacement option



Dimensions

- Top tappings 1" NPT
- Bottom tappings 1-1/4" NPT
- All air vent tappings 1/8" NPT
- Maximum working pressure 15 psi steam, 30 psi water



SIZE	A	B & C	D	E	F	H	Water Content (gal./section)
4 x 19	15-7/16"	4-7/16"	2-1/2"	1-1/16"	19"	17-13/16"	0.08
4 x 25	21-7/16"	4-7/16"	2-1/2"	1-1/16"	25"	23-13/16"	0.12
6 x 25	21-7/16"	6-15/16"	2-1/2"	1-1/16"	25"	23-13/16"	0.17

Ratings per Section

STEAM	4 X 19	4 X 25	6 X 25
	384 BTU	480 BTU	720 BTU

WATER TEMP AT	4 X 19	4 X 25	6 X 25
220	400 BTU	500 BTU	750 BTU
215	384 BTU	480 BTU	720 BTU
210	368 BTU	460 BTU	690 BTU
200	336 BTU	420 BTU	630 BTU
190	304 BTU	380 BTU	570 BTU
180	272 BTU	340 BTU	510 BTU
170	240 BTU	300 BTU	450 BTU
160	208 BTU	260 BTU	390 BTU
150	176 BTU	220 BTU	330 BTU

Gov-Board

Unique Integral Cast Iron Radiator

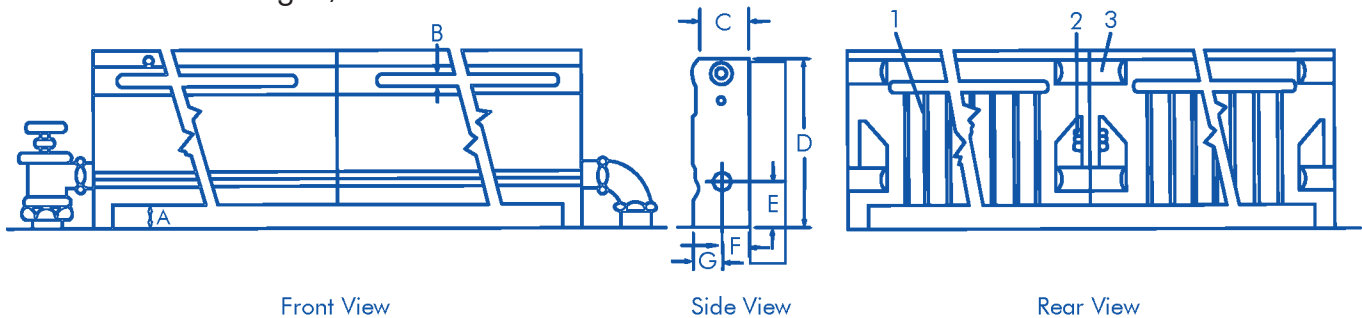


Gov-Board cast iron baseboard style radiation offers an almost invisible installation, because it takes the place of your room baseboard. The durability of cast iron will allow years of worry-free comfort.

- assemblies up to, and including, 6 lineal feet are shipped in one piece
- narrow trim lines allow unit to blend with any décor - replacing base molding
- high efficiency and maximum output
- I=B=R tested and approved

Dimensions

- 3/4" NPT Tappings Top and Bottom of end section
- Maximum Working Pressure 30 psi Water, 15 psi Steam
- Water content 0.3 gal./linear foot



1 = Fins 2 = Tie Bolt 3 = Push Nipple

A	B	C	D	E	F	G
1"	7/8"	2-1/2"	9-7/8"	1-3/4"	1-3/4"	3/4"

Ratings



FLOW RATE	STEAM RATE		* WATER RATINGS						
			BTUH Per Linear Foot at Average Water Temperature Indicated						
Lbs/Hr	Sq. Ft.	BTUH/Hr at 215°F	170°F	180°F	190°F	200°F	210°F	220°F	230°F
500	3.15	750	490	550	610	680	740	800	870
2000	3.15	750	520	580	640	720	780	850	920

NOTES:

- The hot water ratings at 2000 lb. flow rate are limited to installations where the water flow rate through the Gov-Board is equal to or greater than 2000 lbs. per hour (4 GPM).
- Where the water flow rate through the Gov-Board is not known, the rating at the standard flow rate of 500 lbs. (1 GPM) per hour must be used.
- Rating based on active length. Active length same as total length.

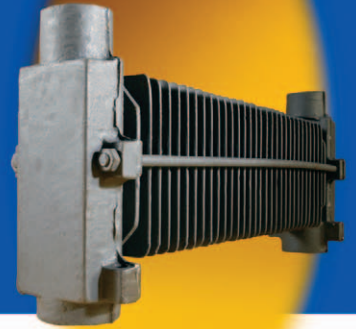
Pressure ratings are available for all sizes directly from the Governale Company Inc.

Convector Elements

Durable and Versatile Cast Iron Heater

Need heat in a room where a radiator or baseboard heat distributor won't work? Select a cast iron convector unit. These compact, yet powerful cast iron units can be built into a window seat, a cabinet, or be included into a bookshelf design.

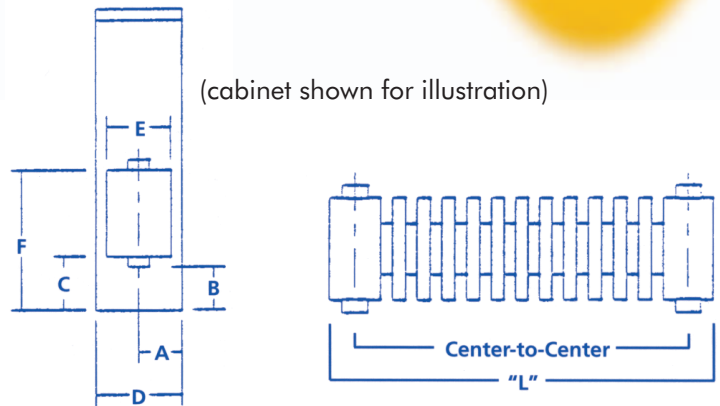
- sturdiness combined with high efficiency and quiet performance
- constructed to withstand the severest handling at job sites and therefore, suffer no loss of efficiency caused by damaged and distorted fins
- combined advantages of slow cool-down and high output of convectors
- can be mixed in the same system with cast iron radiators and baseboard
- suitable for water or steam applications



Dimensions

- Top Tappings $\frac{3}{4}$ " NPT
- Bottom Tappings 1-1/4" NPT

A	B	C	D	E	F
2-1/4"	5-3/4"	7"	4-1/2"	4"	13-1/2"
3-1/4"	5-3/4"	7"	6-1/2"	6"	13-1/2"



STANDARD	CAST IRON ELEMENT DIMENSIONS									
Element No.	419	423	427	431	435	439	443	447	455	463
'L' Dimension	18-1/2"	22-1/2"	26-1/2"	30-1/2"	34-1/2"	38-1/2"	42-1/2"	46-1/2"	54-1/2"	62-1/2"
'C-C' Dimension	16-1/4"	20-1/4"	24-1/4"	28-1/4"	32-1/4"	36-1/4"	40-1/4"	44-1/4"	52-1/4"	60-1/4"
Element No.	619	623	627	631	635	639	643	647	655	663
'L' Dimension	19"	23"	27"	31"	35"	39"	43"	47"	55"	63"
'C-C' Dimension	16-3/4"	20-3/4"	24-3/4"	28-3/4"	32-3/4"	36-3/4"	40-3/4"	44-3/4"	52-3/4"	60-3/4"

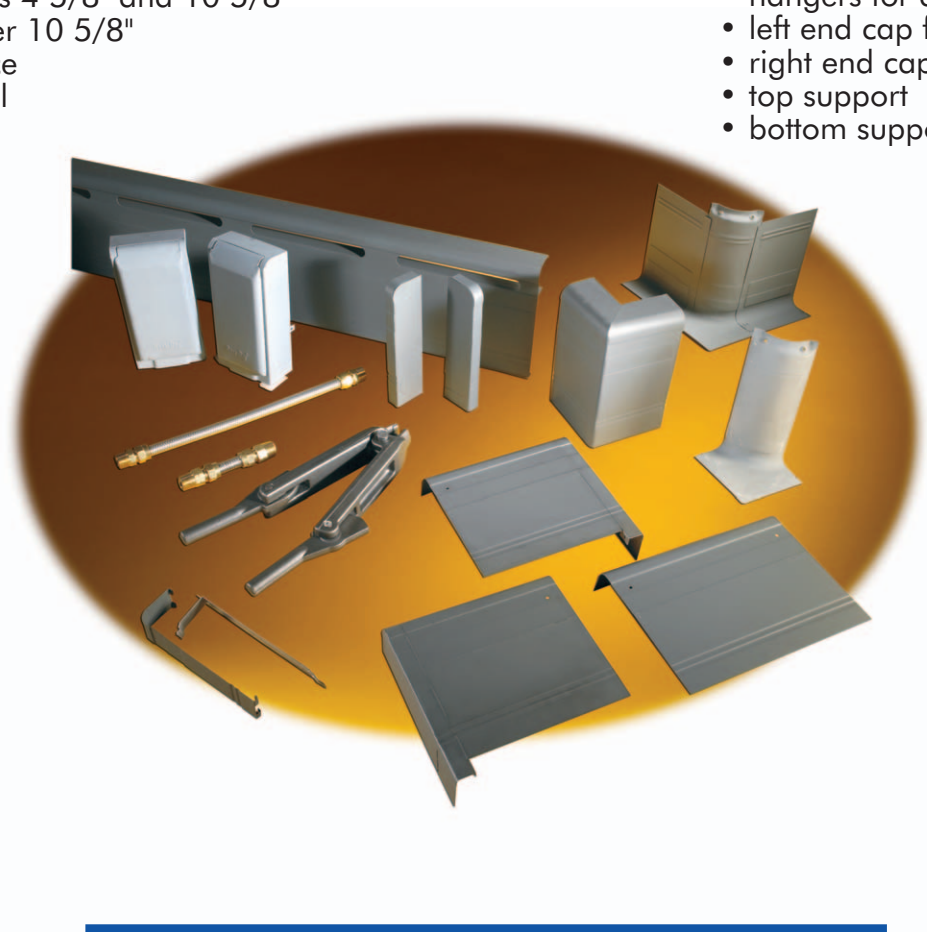
Let the Convector warm your house while fitting into the surroundings.
Fits nicely under a window seat.



Gov-Board Accessories

Offering a full line of accessories to ensure your heating system will stand the test of time and provide the needed comfort and style your home deserves.

- valve enclosures
- adjustable end caps 6" and 9"
- inside corners 4 5/8" and 10 5/8"
- outside corner 10 5/8"
- 12" filler piece
- assembly tool
- flexible corner/connectors
- dummy cover 6'
- hangers for dummy covers
- left end cap for dummy cover
- right end cap for dummy cover
- top support
- bottom support over 6'



Governale Company Inc.
788 Williams Avenue
Brooklyn, NY 11207
718-272-2300
www.governaleindustries.com
PL81403011003 - 03/05 - 5Mc