



INTRODUCTION

The Marbett component range enables Rexnord Industries, LLC to be the preferred global FlatTop solutions supplier for conveyors and machines by providing a complete package with chains to maximize end user and OEM productivity.

Rexnord chains reach their best performance by the use of low-friction/low-wear Marbett® chain guide-return solutions, resulting in higher productivity and cost savings for the end user:

- Reduced downtime, reduced maintenance and reduced replacement costs due to extended chain (and guide) life
- Reduced energy consumption and reduced conveyor costs (longer conveyor length = reduced number of drives)
- Limited or no lubrication possible
- Minimized noise due to material and design solutions.

The top quality of Rexnord chains along with the high performance Marbett guides for container and package handling achieve a high conveyor efficiency:

- Prevent product tippage, container damage/discards due to low friction materials, resulting in reduced downtimes and better container quality.

Conveyor construction becomes easy, quick and repeatable through the Marbett components modular concept:

- Clamps, brackets, joints, bearing heads, support bases and levellers are designed to easily connect to commercial tubes, rods and metal structures.
- Eliminates the need for welded parts and extensive labor to assemble conveyor systems, resulting in higher productivity, reduced conveyor construction costs and better quality

Parts are designed to meet sanitation requirements and are easily cleanable. They have high corrosion and chemical resistance and are the right solution in all applications where frequent washings are needed.





Marbett® Convex Guide Rail
Page 5



Marbett® Round Guide Rail
Page 5



Marbett® Flat Guide Rail
Page 6



Marbett® 1" Flat Guide Rail
Page 6



PART 367
Marbett® Flat Guide Rail
Page 7



Marbett® 1" Tee Guide Rail
Page 7



Marbett® 1-1/4" Tee Guide Rail
Page 8



Marbett® 1.6" Tee Guide Rail
Page 8



Marbett® 2-1/4" Tee Guide Rail
Page 9



Marbett® Neck Guide Rail
Page 9



Marbett® Edge Guide Rail - Page 10



Marbett® Tab Tee Guide Rail - Page 10



PART 369
Marbett® Guide Rail
Connecting Bar - Page 11



PART 371
Marbett® Guide Rail
Connecting Link - Page 11



PART 902
Marbett® ViseSplice™
Page 12



PART 903
Marbett® ViseClamp™
Page 12



Upper Conveyor Bracket
Page 13



Lower Conveyor Bracket
Page 13



Lower Conveyor
Bracket Type 2
Page 14



Offset Upper Conveyor
Bracket Type B
Page 14



Lower Conveyor
Bracket Type 3
Page 15



Offset Upper Conveyor
Bracket Type A
Page 15



PART 210
Marbett® Guide Rail Clamp
Page 16



PART 210
Marbett® Rail Clamp Assy
Page 17



PART 210
Marbett® Etched Guide Rail
Clamp Assy - Page 17



PART 174
Marbett® Cross Clamp
Page 18



PART 174
Marbett® Cross Clamp with
Setscrew - Page 18



PART 637
Marbett® Guide Rail Bracket
Page 19



PART 182
Marbett® Knob
Page 19



PART 255
Marbett® Swivel Head
Page 20



PART 256
Marbett® Swivel
Page 20



PART 567
Marbett® Roller Transfer (Side)
Page 21



PART 568
Marbett® Roller Transfer
(Center) - Page 21



PART 569
Marbett® Roller Transfer (Side)
Page 22



PART 672
Marbett® Roller Transfer
Page 22



PART 557
Marbett® (Center) Roller Guide
Page 23



PART 580
Marbett® Roller Transfer
Page 23



PART 570
Marbett® Roller Guide
Page 24



PART 518
Marbett® Control Contact
Lever - Page 24



PART 595
Marbett® T-Clamp
Page 25



PART 763
Marbett® T-Clamp
Page 25



PART 612
Marbett® Split Shaft Collar
with Round Bore- Page 26



PART 612
Marbett® Split Shaft Collar
with Square Bore - Page 26



PART 613
Marbett® Bi-material
Return Roller - Page 27



PART 614
Marbett® Bi-material
Return Roller - Page 27



PART 657
Marbett® Bi-material
Return Roller - Page 28



PART 555
Marbett® Guide Flange
Page 28



PART 302
Marbett® Ratchet Handle
Page 29



PART 303
Marbett® Ratchet Handle
Page 29



PART 905
Marbett® Modular Nose-over
Bar (Standard) - Page 30



PART 905
Marbett® Modular Nose-over
Bar (Low Profile) - Page 30



PART 905
Marbett® Modular Nose-over
Bar (Dynamic) - Page 31



PART 180
Marbett® Tube End
Page 32



PART 224
Marbett® Tube End
Page 32



PART 94
Marbett® Teardrop Leveler
Page 33



PART 133
Marbett® Leveler
Page 33



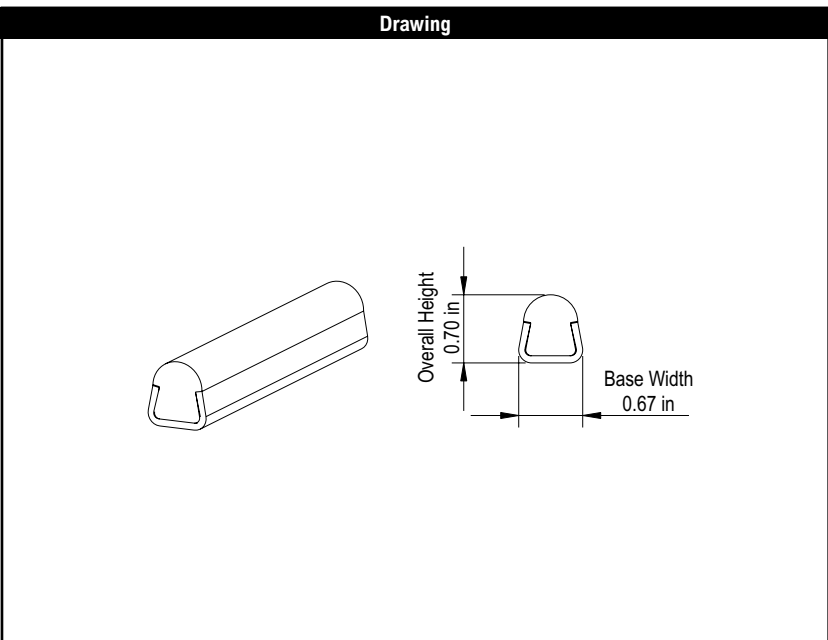
PART 323
Marbett® Leveler
Page 34



PART 479
Marbett® Leveler
Page 34



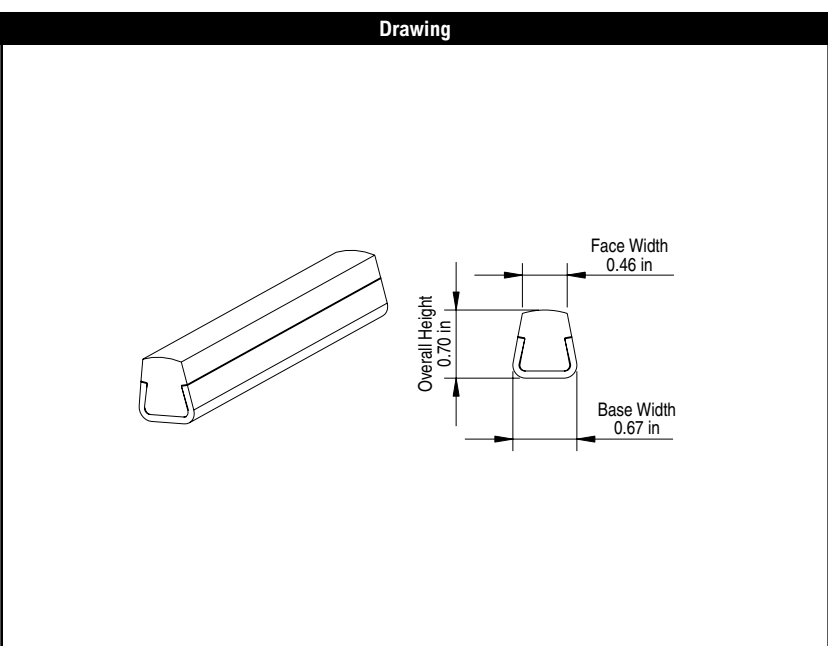
PART 169
Marbett® Leveler
Page 35



Product Information	
Part Number	Stock Length (ft)
514-145-4	8
514-145-1	10

Additional Notes
 FDA Approved white UHMWPE profile
 14 gauge stainless steel sheath

Marbett is a registered trademark of Rexnord Industries, LLC. All Rights Reserved.



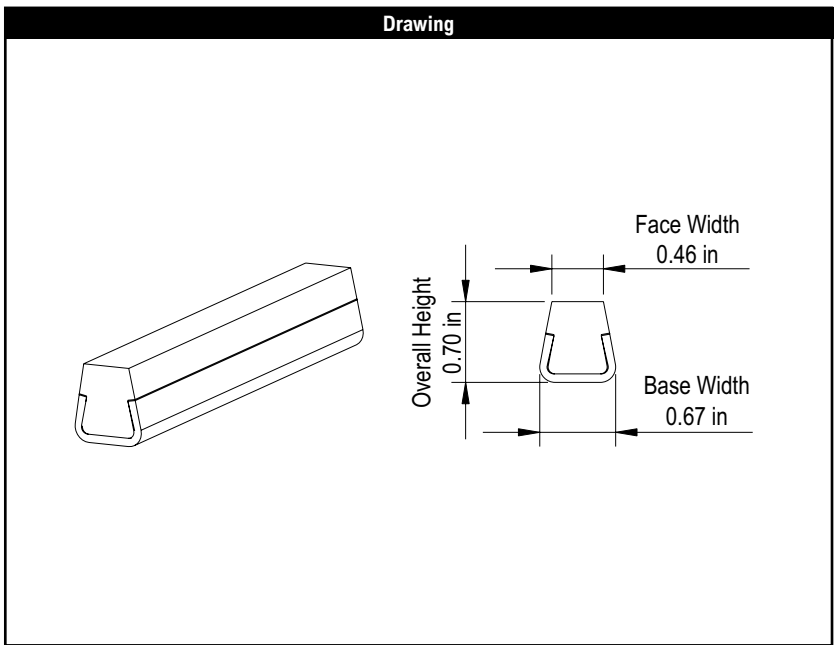
Product Information	
Part Number	Stock Length (ft)
514-158-1	10

Additional Notes
 FDA Approved white UHMWPE profile
 14 gauge stainless steel sheath

Marbett is a registered trademark of Rexnord Industries, LLC. All Rights Reserved.



Photo shows Guide Rail with Flat white UHMW profile and 14 gauge stainless steel sheath.



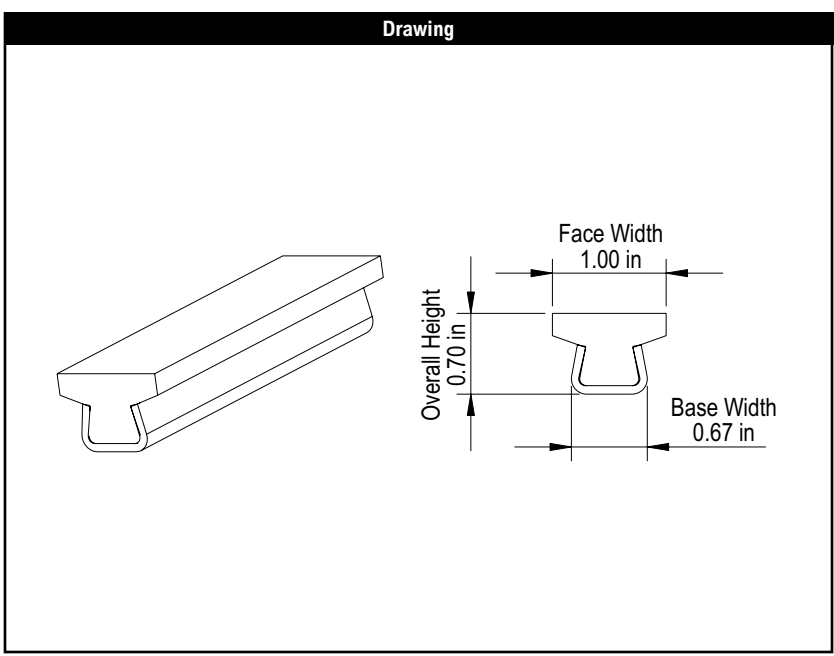
Product Information	
Part Number	Stock Length (ft)
514-146-4	8
514-146-1	10

Additional Notes
 FDA Approved white UHMWPE profile
 14 gauge stainless steel sheath

Marbett is a registered trademark of Rexnord Industries, LLC. All Rights Reserved.



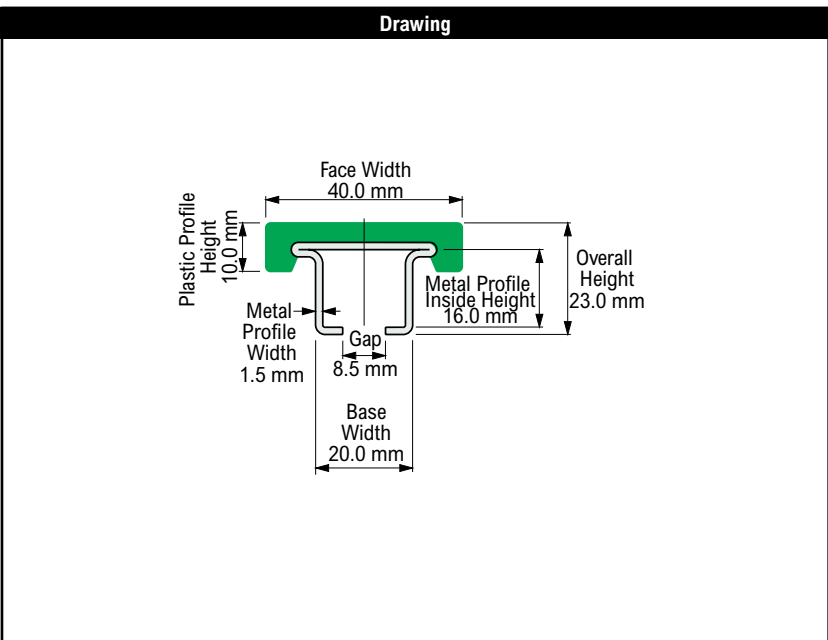
Photo shows 1" wide Flat Guide Rail with white UHMW profile and 14 gauge stainless steel sheath.



Product Information	
Part Number	Stock Length (ft)
514-210-4	8
514-210-1	10

Additional Notes
 FDA Approved white UHMWPE profile
 14 gauge stainless steel sheath

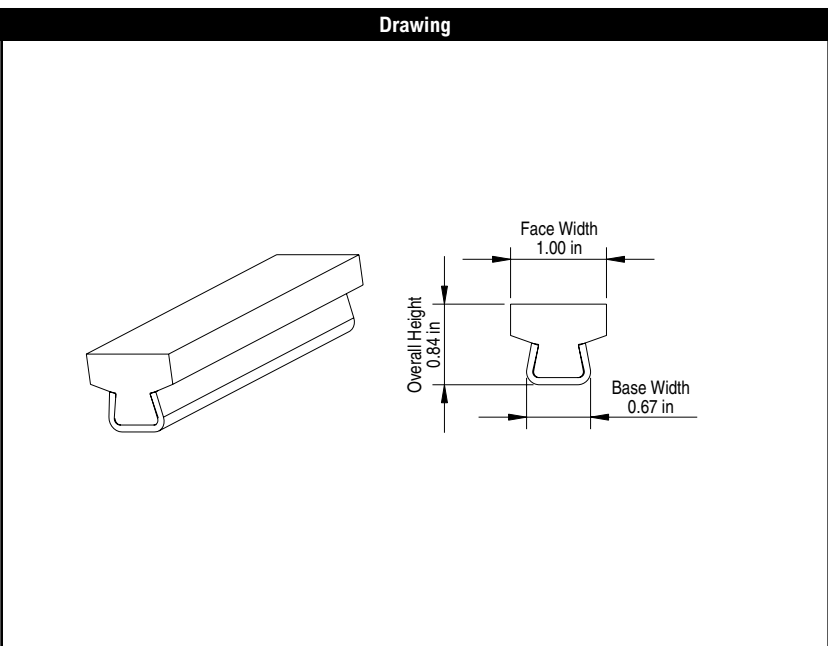
Marbett is a registered trademark of Rexnord Industries, LLC. All Rights Reserved.



Product Information	
Part Number	Stock Length (ft)
367-655712M	10

Additional Notes
Plastic profile in UHMWPE (black) Metal profile in austenitic stainless steel

Marbett is a registered trademark of Rexnord Industries, LLC. All Rights Reserved.



Product Information	
Part Number	Stock Length (ft)
514-209-4	8
514-209-1	10

Additional Notes
FDA Approved white UHMWPE profile 14 gauge stainless steel sheath

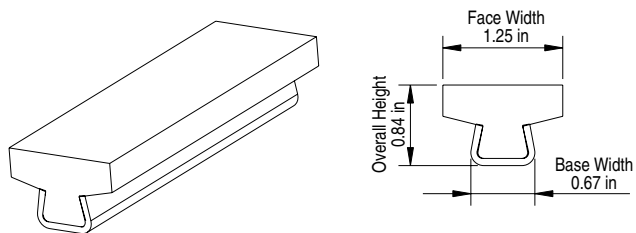
Marbett is a registered trademark of Rexnord Industries, LLC. All Rights Reserved.

Marbett® 1-1/4" Tee Guide Rail



Photo shows 1-1/4" wide Tee Guide Rail with white UHMW profile and 14 gauge stainless steel sheath.

Drawing



Product Information

Part Number	Stock Length (ft)
514-147-4	8
514-147-1	10

Additional Notes

FDA Approved white UHMWPE profile
14 gauge stainless steel sheath

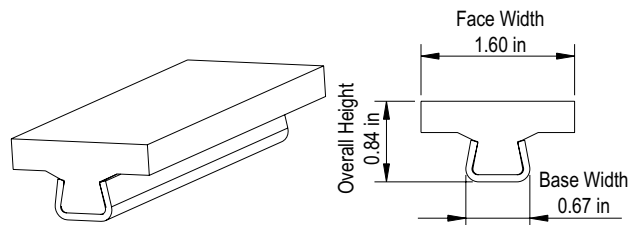
Marbett is a registered trademark of Rexnord Industries, LLC. All Rights Reserved.

Marbett® 1.6" Tee Guide Rail



Photo shows 1.6" wide Tee Guide Rail with white UHMW profile and 14 gauge stainless steel sheath.

Drawing



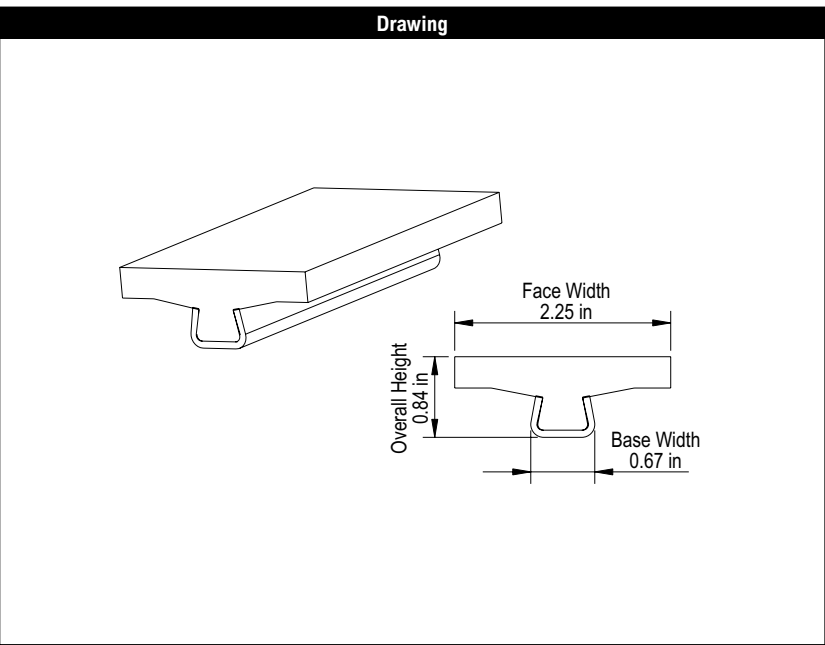
Product Information

Part Number	Stock Length (ft)
514-175-1	10

Additional Notes

FDA Approved white UHMWPE profile
14 gauge stainless steel sheath

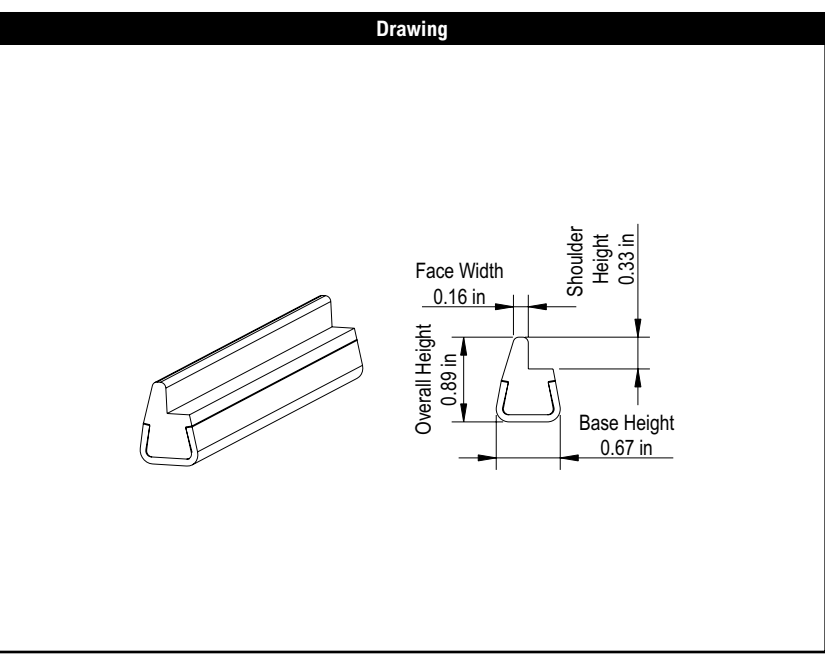
Marbett is a registered trademark of Rexnord Industries, LLC. All Rights Reserved.



Product Information	
Part Number	Stock Length (ft)
514-176-4	8
514-176-1	10

Additional Notes
 FDA Approved white UHMWPE profile
 14 gauge stainless steel sheath

Marbett is a registered trademark of Rexnord Industries, LLC. All Rights Reserved.



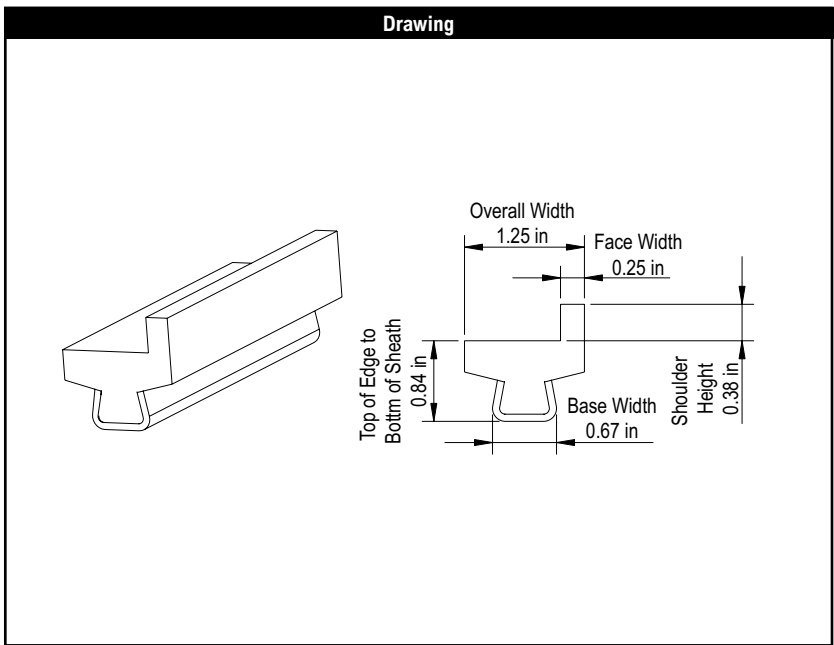
Product Information	
Part Number	Stock Length (ft)
514-148-1	10

Additional Notes
 FDA Approved white UHMWPE profile
 14 gauge stainless steel sheath

Marbett is a registered trademark of Rexnord Industries, LLC. All Rights Reserved.



Photo shows Edge Guide Rail with white UHMW profile and 14 gauge stainless steel sheath.



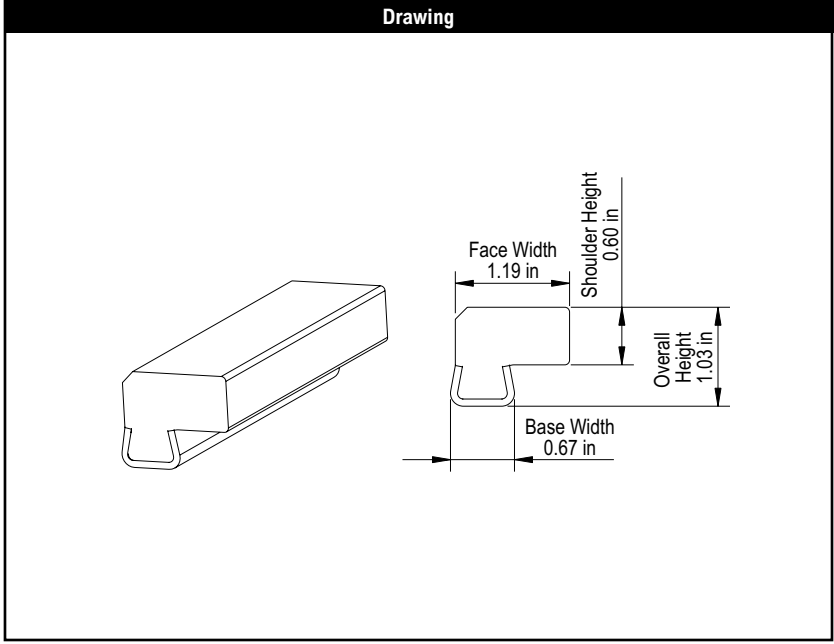
Product Information	
Part Number	Stock Length (ft)
514-235-4	8
514-235-1	10

Additional Notes
 FDA Approved white UHMWPE profile
 14 gauge stainless steel sheath

Marbett is a registered trademark of Rexnord Industries, LLC. All Rights Reserved.



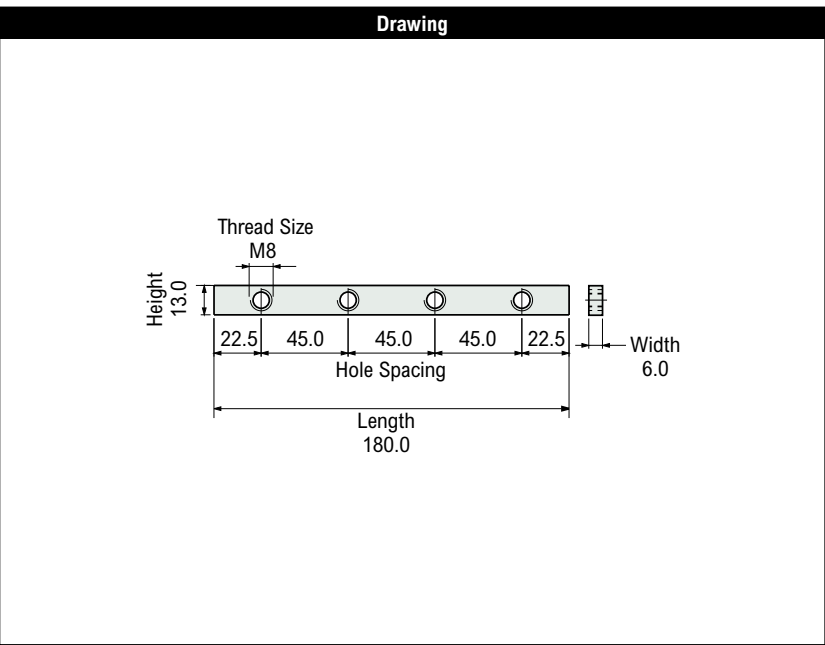
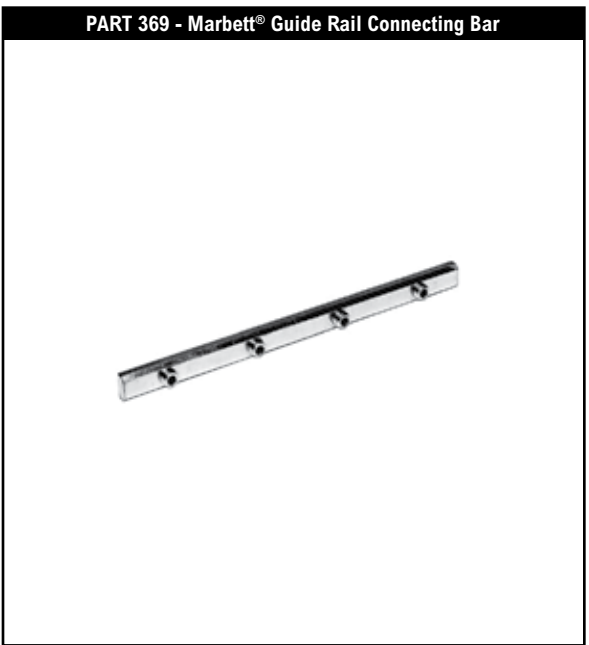
Photo shows Tab Guide Rail with white UHMW profile and 14 gauge stainless steel sheath.



Product Information	
Part Number	Stock Length (ft)
514-236-1	10

Additional Notes
 FDA Approved white UHMWPE profile
 14 gauge stainless steel sheath
 For use with Rexnord 882 TableTop® chains

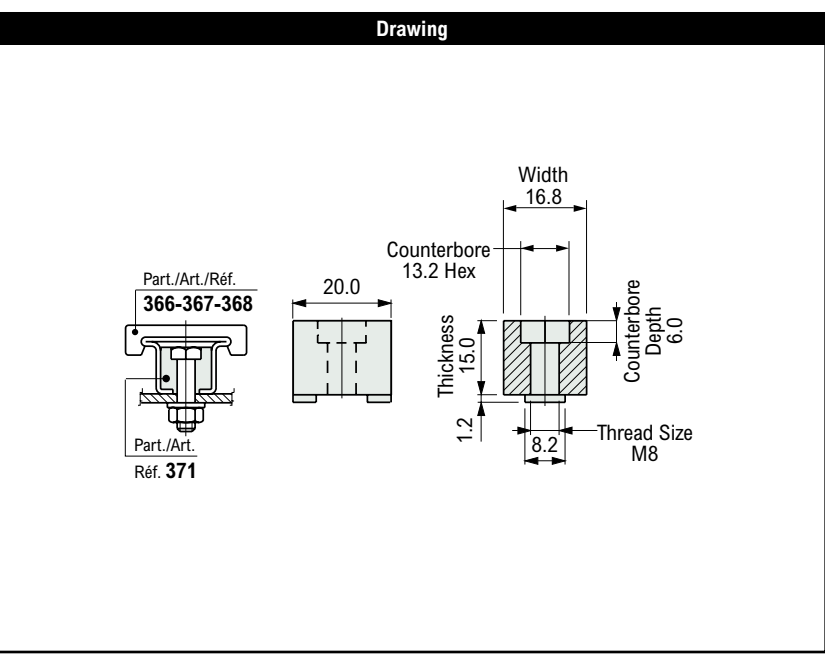
Marbett is a registered trademark of Rexnord Industries, LLC. All Rights Reserved.



Product Information		
Part Number	Overall Length (in)	Thread Size
369-69995	7	M8

Additional Notes
Material: Zinc-plated steel

Marbett is a registered trademark of Rexnord Industries, LLC. All Rights Reserved.



Product Information	
Part Number	Thread Size
371-61056	M8

Additional Notes
Material: reinforced polyamide PA FV (black) Use: Easy assembly of wearstrips on frame. Assemble with M6 or M8 hexagon bolt

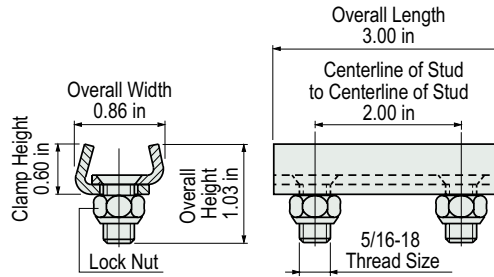
Marbett is a registered trademark of Rexnord Industries, LLC. All Rights Reserved.

PART 902 - Marbett® ViseSplice™



Photo shows the ViseSplice™ clamp.

Drawing



Product Information

Part Number

902-652041

Additional Notes

For use with all Marbett® guide rail profiles
 All stainless steel construction rail profiles
 Tired of opening hundreds of individual bags? Boxes of 100 pieces are also available. Simply add "-100" to the end of the part number. i.e. 902-652041-100 is a box of 100 bulk parts

US Patent #5896980

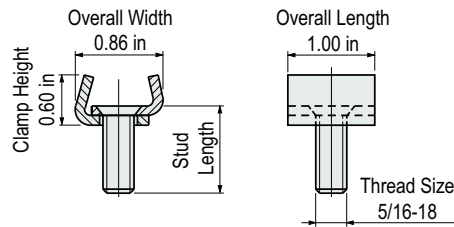
Marbett is a registered trademark of Rexnord Industries, LLC. All Rights Reserved.

PART 903 - Marbett® ViseClamp™



Photo shows a ViseClamp™ with 3/4 inch stud without nut.

Drawing



Product Information

With Nut	Without Nut	Stud Length (in)
Part Number	Part Number	
903-654741	903-654101	3/4
903-654751	903-654111	1

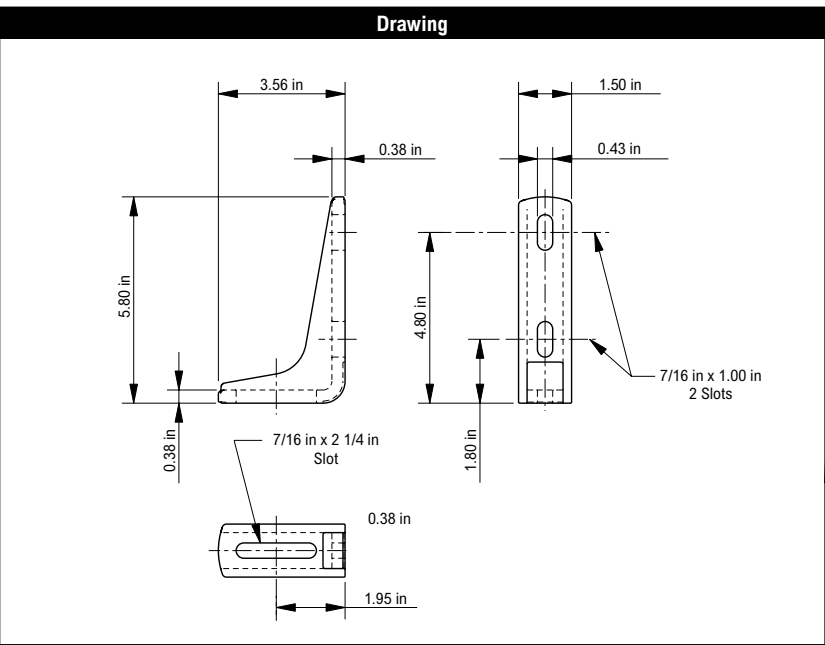
Additional Notes

For use with all Marbett® guide rail profiles
 All stainless steel construction rail profiles
 Tired of opening hundreds of individual bags? Boxes of 100 pieces are also available. Simply add "-100" to the end of the part number. i.e. 903-654101-100 is a box of 100 bulk parts

Marbett is a registered trademark of Rexnord Industries, LLC. All Rights Reserved.



Photo Shows Conveyor Bracket

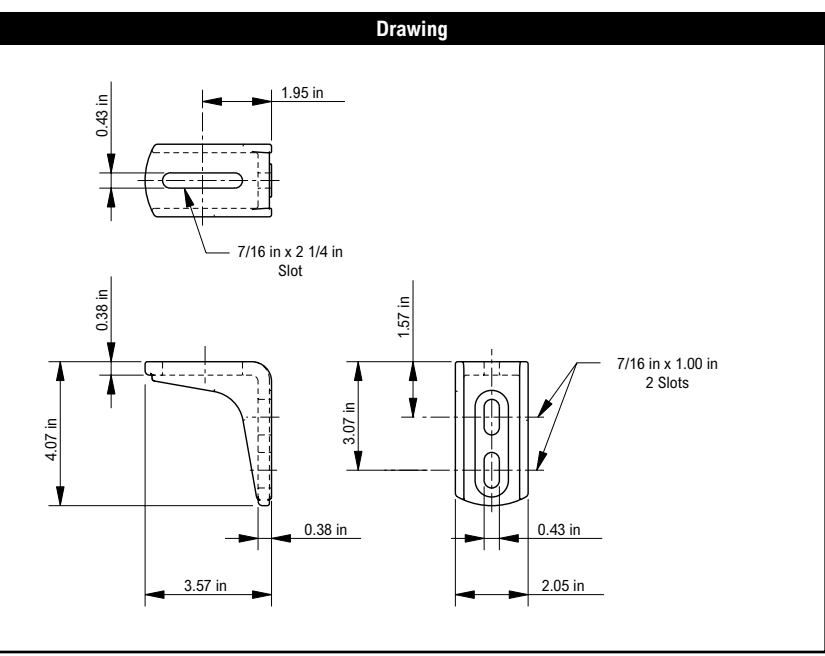


Product Information			
Part Number	Length (in)	Width (in)	Slot Width (in)
114-398-1	5.81	3.56	7/16

Additional Notes
Bracket in Black Glass-Reinforced Nylon



Photo Shows Conveyor Bracket



Product Information			
Part Number	Length (in)	Width (in)	Slot Width (in)
114-399-1	4.08	3.56	7/16

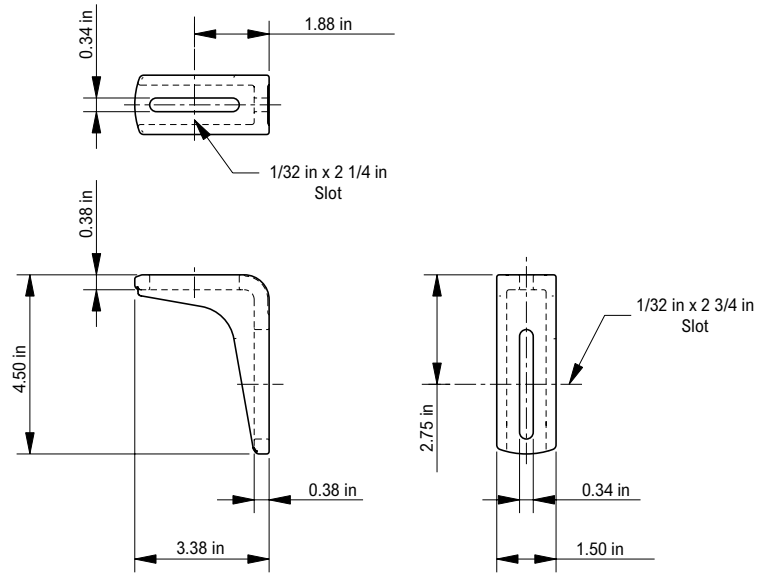
Additional Notes
Bracket in Black Glass-Reinforced Nylon

Lower Conveyor Bracket Type 2



Photo Shows Conveyor Bracket

Drawing



Product Information

Part Number	Length (in)	Width (in)	Slot Width (in)
114-671-1	4.50	3.38	11/32

Additional Notes

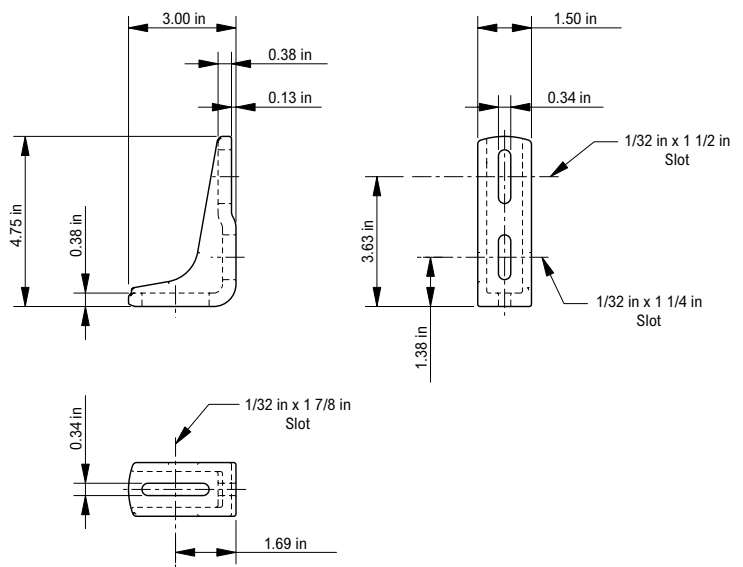
Bracket in Black Glass-Reinforced Nylon

Offset Upper Conveyor Bracket Type B



Photo Shows Conveyor Bracket

Drawing



Product Information

Part Number	Length (in)	Width (in)	Slot Width (in)
114-672-1	4.75	3.00	11/32

Additional Notes

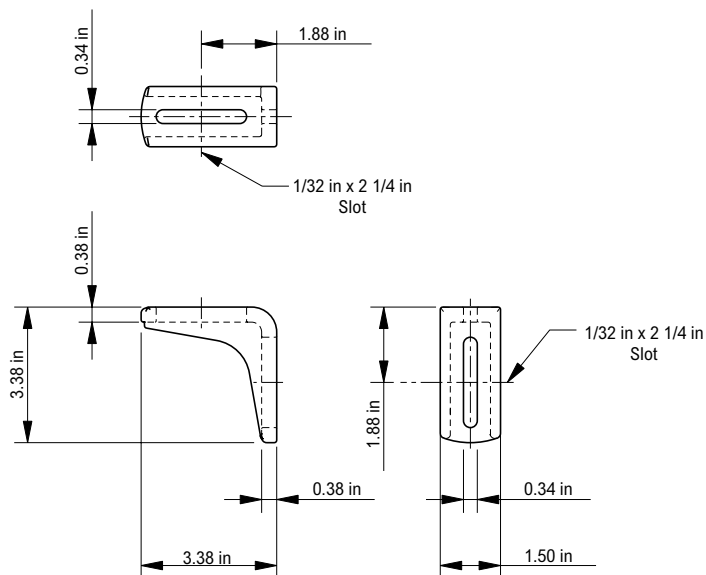
Bracket in Black Glass-Reinforced Nylon

Lower Conveyor Bracket Type 3



Photo Shows Conveyor Bracket

Drawing



Product Information

Part Number	Length (in)	Width (in)	Slot Width (in)
114-673-1	3.38	3.38	11/32

Additional Notes

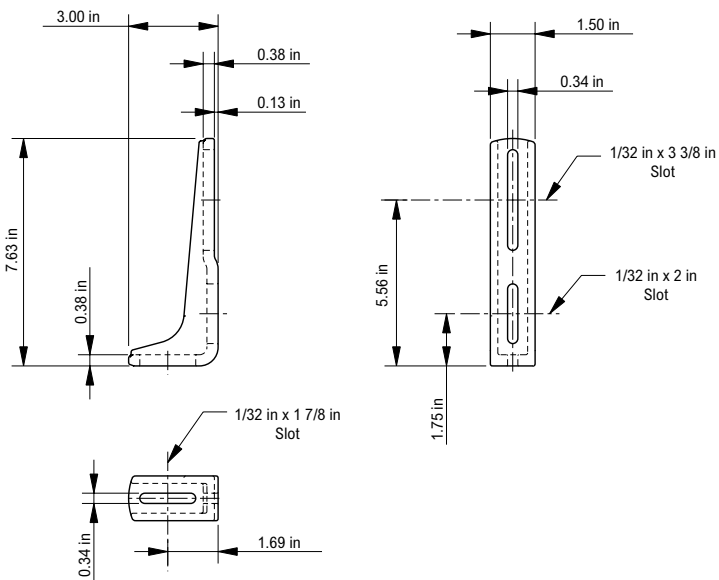
Bracket in Black Glass-Reinforced Nylon

Offset Upper Conveyor Bracket Type A



Photo Shows Conveyor Bracket

Drawing



Product Information

Part Number	Length (in)	Width (in)	Slot Width (in)
114-674-1	7.63	3.00	11/32

Additional Notes

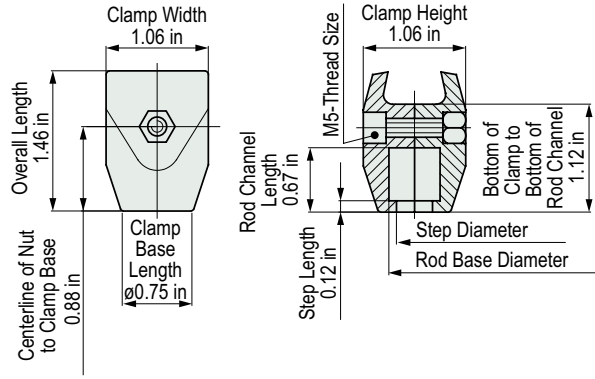
Bracket in Black Glass-Reinforced Nylon

PART 210 - Marbett® Guide Rail Clamp



Photo shows Pre-assembled Laser Etched Rail Clamp.

Drawing



Product Information

Part Number	Rod Base Diameter (in)	Step Diameter (in)	Assembled Item
210-59941	0.53	0.45	No
210-654791	0.53	0.45	Yes

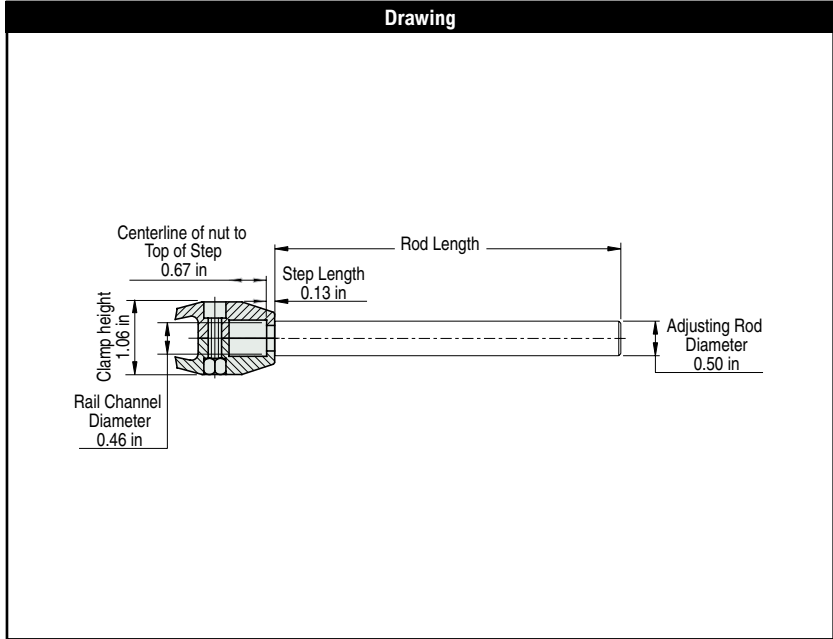
Additional Notes

Fits all Marbett® guide rail assemblies
Clamp in reinforced nylon (PA)

Marbett is a registered trademark of Rexnord Industries, LLC. All Rights Reserved.



Photo shows Pre-Assembled Rail Clamp with stainless steel Adjusting Rod.



Product Information				
Part Number	Adjusting Rod		Guide Rail Clamp Part Number	Adjusting rod part number
	Rod Diameter (in)	Rod Length (in)		
210-654671	1/2	3.00	210-59941	114-2308-1
210-654681	1/2	5.00	210-59941	114-2308-2

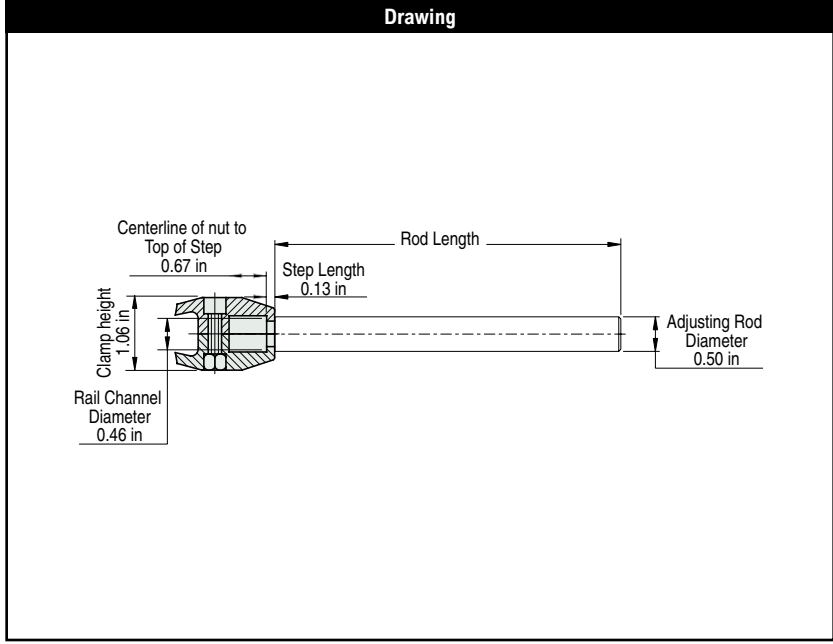
Additional Notes

Fits all Marbett® guide rail assemblies
 Clamp in reinforced nylon (PA)
 Adjusting rod in stainless steel; Footplate in reinforced polyamide (nylon)
 All assemblies supplied with stainless steel nut

Marbett is a registered trademark of Rexnord Industries, LLC. All Rights Reserved.



Photo shows Pre-Assembled Laser Etched Rail Clamp with stainless steel Adjusting Rod.



Product Information				
Part Number	Adjusting Rod Diameter [Nom]	Rod Length [Nom]	Guide Rail Clamp Part Number	Adjusting Rod Part Number
210-655811	1/2 in	5.00 in	210-59941	114-2694-1 114-2695-2

Additional Notes

Fits all Marbett® guide rail assemblies
 Clamp in reinforced nylon (PA)
 Adjusting rod in stainless steel; Footplate in reinforced polyamide (nylon)
 All assemblies supplied with stainless steel nut

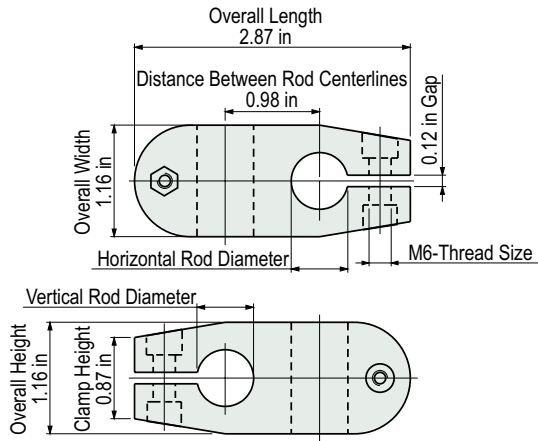
Marbett is a registered trademark of Rexnord Industries, LLC. All Rights Reserved.

PART 174 - Marbett® Cross Clamp



Photo shows Cross Clamp in reinforced nylon with stainless steel hardware.

Drawing



Product Information

Part Number	Round Bore		Hex Bore	Square Bore
	Vertical Rod Diameter (in)	Horizontal Rod Diameter (in)	Rod Diameter (in)	Rod Diameter (in)
174-646481	1/2	1/2	-	-
174-671861	-	1/2	7/16	7/16

Additional Notes

Cross clamp in reinforced nylon (PA)
All hardware in stainless steel

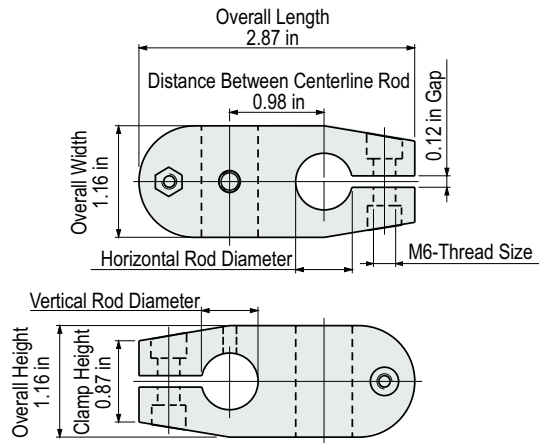
Marbett is a registered trademark of Rexnord Industries, LLC. All Rights Reserved.

PART 174 - Marbett® Cross Clamp with setscrew



Photo shows Cross Clamp in reinforced nylon with stainless steel hardware.

Drawing



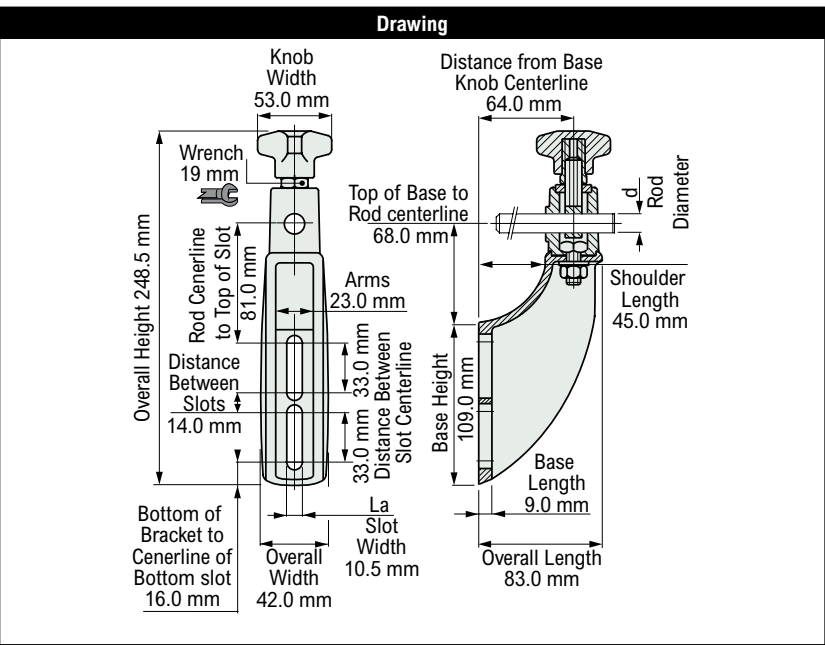
Product Information

Part Number	Round Bore		Hex Bore
	Vertical Rod Diameter (in)	Horizontal Rod Diameter (in)	Rod Diameter (in)
174-654661	1/2	1/2	-
174-655991	-	1/2	7/16

Additional Notes

Cross clamp in reinforced nylon (PA)
All hardware and setscrew in stainless steel
Setscrew is only supplied in one bore

Marbett is a registered trademark of Rexnord Industries, LLC. All Rights Reserved.

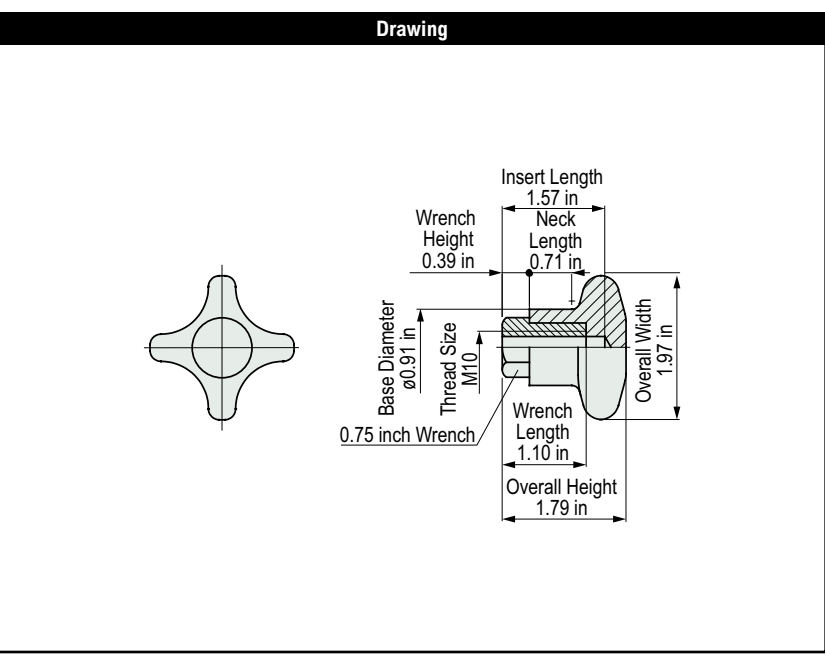


Product Information	
Part Number	Rod Diameter (in)
637-648372	0.47
637-648392	0.63

Additional Notes

Bracket, rotating head & knob in reinforced nylon (PA)
 Eyebolt, nut, bolt & washers in stainless steel
 Hex insert in knob in nickel plated brass

Marbett is a registered trademark of Rexnord Industries, LLC. All Rights Reserved.



Product Information	
Part Number	Thread Size
182-54911	M10

Additional Notes

Knob in reinforced nylon (PA)
 Metal insert in nickel plated brass

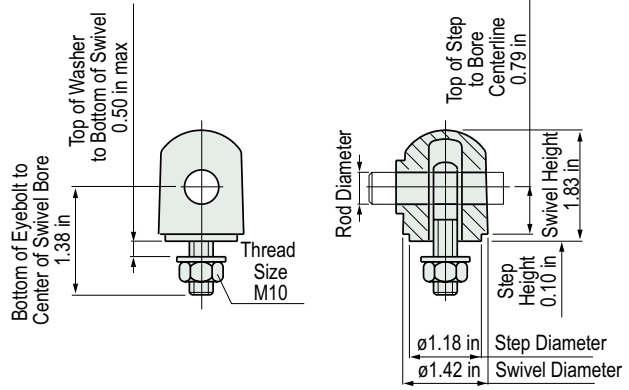
Marbett is a registered trademark of Rexnord Industries, LLC. All Rights Reserved.

PART 255 - Marbett® Swivel Head



Photo shows a swivel head with 1/2 inch rod diameter.

Drawing



Product Information

Part Number	Rod Diameter (in)
255-685281	1/2

Additional Notes

Swivel in reinforced nylon (PA)
 Eyebolt, washer, and nut in stainless steel

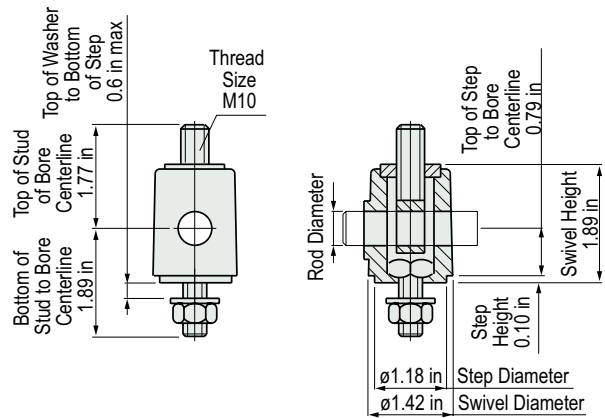
Marbett is a registered trademark of Rexnord Industries, LLC. All Rights Reserved.

PART 256 - Marbett® Swivel



Photo shows a swivel with 1/2 inch rod diameter.

Drawing



Product Information

Part Number	Rod Diameter (in)
256-64561	1/2

Additional Notes

Swivel in reinforced nylon (PA)
 Eyebolt, nut, bolt, and washer in stainless steel
 Can be used with Knob 182

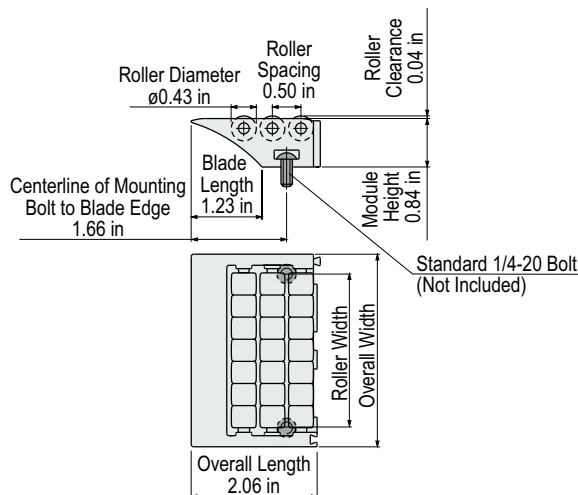
Marbett is a registered trademark of Rexnord Industries, LLC. All Rights Reserved.

PART 567 - Marbett® Roller Transfer (Side)



Photo shows a side module with nose roller transfer, 3.35 inches overall width, 2.06 inches overall length, with multiple small rollers.

Drawing



Product Information			
Part Number	Roller Type	Roller Width (in)	Overall Width (in)
567-688792	Multiple Small Rollers	2.66	3.35
567-687382		3.82	4.53
567-688822	Single Roller	2.66	3.35
567-699002		3.82	4.53

Additional Notes
Frame in Rexnord® HP™ material Multiple roller version uses rollers in Rexnord® HP™ material Single roller version uses rollers in white polyethylene Roller shafts are stainless steel US Patent #6164435

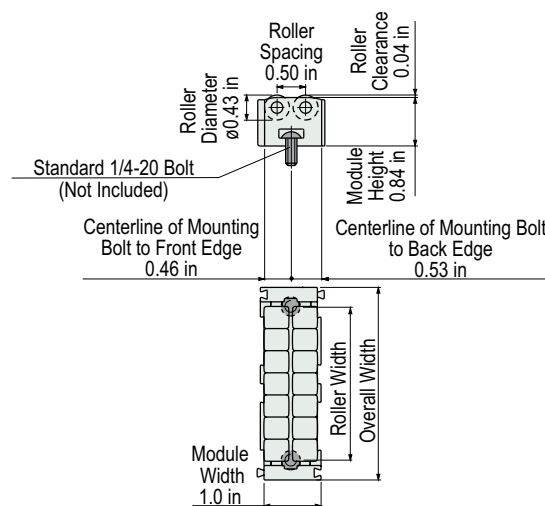
Marbett is a registered trademark of Rexnord Industries, LLC. All Rights Reserved.

PART 568 - Marbett® Roller Transfer (Center)



Photo shows a center module roller transfer, 3.35 inches overall width, with multiple small rollers.

Drawing



Product Information			
Part Number	Roller Type	Roller Width (in)	Overall Width (in)
568-605912	Multiple Small Rollers	2.66	3.35
568-687402		3.82	4.53
568-603402	Single Roller	2.66	3.35
568-699022		3.82	4.53

Additional Notes
Frame in Rexnord® HP™ material Multiple roller version uses rollers in Rexnord® HP™ material Single roller version uses rollers in white polyethylene Roller shafts are stainless steel US Patent #6164436

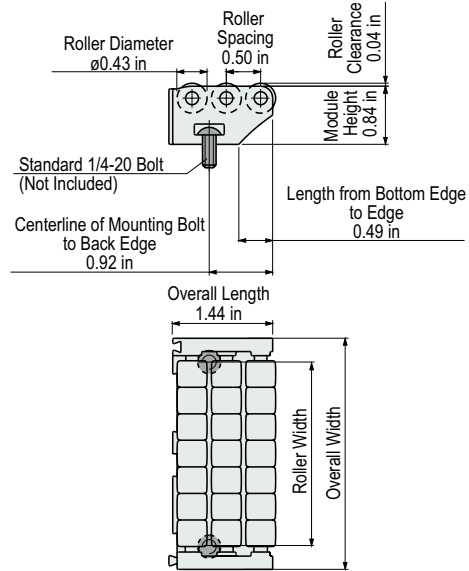
Marbett is a registered trademark of Rexnord Industries, LLC. All Rights Reserved.

PART 569 - Marbett® Roller Transfer (Side)



Photo shows a side module without nose roller transfer, 3.35 inches overall width, with single rollers.

Drawing



Product Information

Part Number	Roller Type	Roller Width (in)	Overall Width (in)
569-605922	Multiple Small Rollers	2.66	3.35
569-687392		3.82	4.53
569-603412	Single Roller	2.66	3.35
569-699012		3.82	4.53

Additional Notes

Frame in Rexnord® HPT™ material
 Multiple roller version uses rollers in Rexnord® HPT™ material
 Single roller version uses rollers in white polyethylene
 Roller shafts are stainless steel

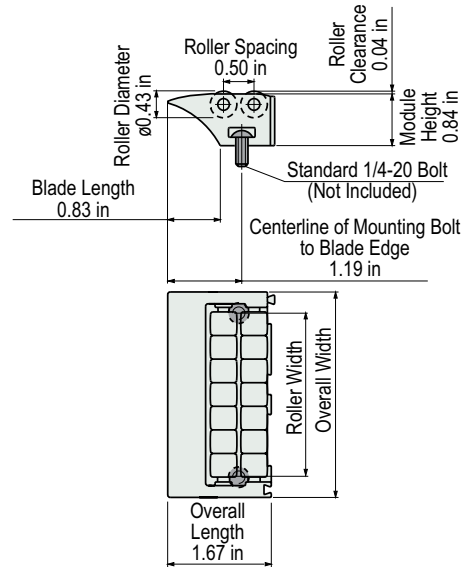
Marbett is a registered trademark of Rexnord Industries, LLC. All Rights Reserved.

PART 672 - Marbett® Roller Transfer (Side)



Photo shows a side module with nose roller transfer, 3.35 inches overall width, 1.67 inches overall length, with multiple small rollers.

Drawing



Product Information

Part Number	Roller Type	Roller Width (in)	Overall Width (in)
672-687412	Multiple Small Rollers	2.66	3.35
672-687432		3.82	4.53
672-699032	Single Roller	2.66	3.35

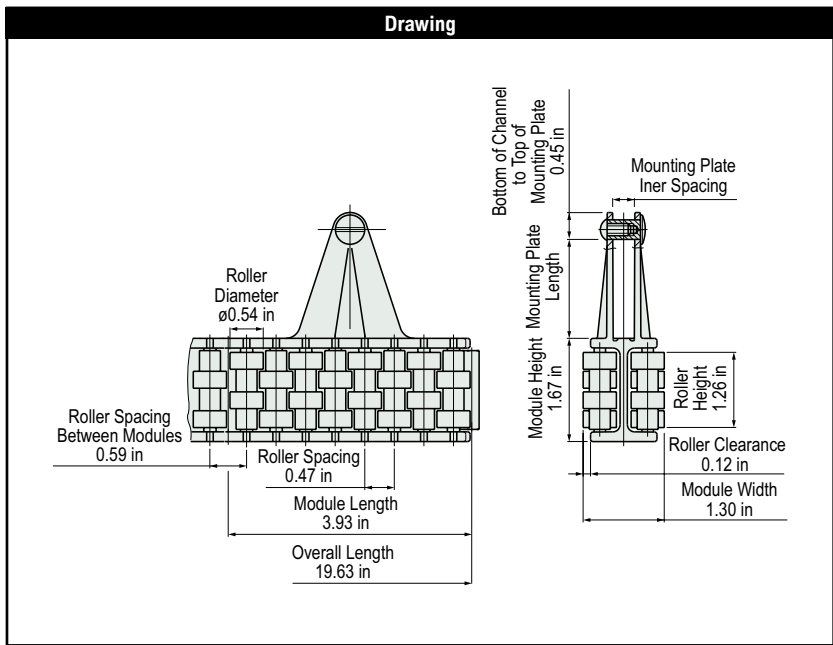
Additional Notes

Frame in Rexnord® HPT™ material
 Multiple roller version uses rollers in Rexnord® HPT™ material
 Single roller version uses rollers in white polyethylene
 Roller shafts are stainless steel

Marbett is a registered trademark of Rexnord Industries, LLC. All Rights Reserved.



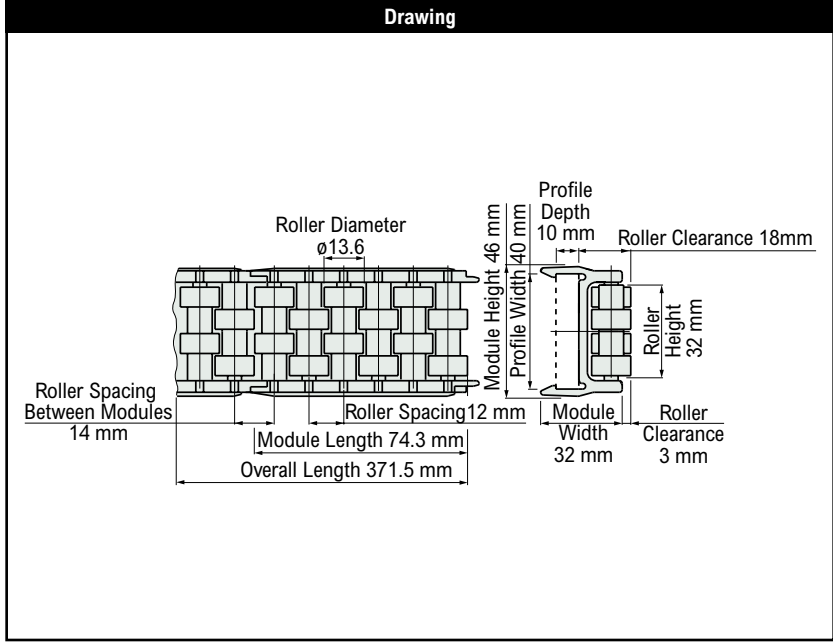
Photo shows a roller guide consisting of (5) 3.93 inch modules, totaling 19.63 inches in overall length.



Product Information		
Part Number	Mounting Plate Length (in)	Mounting Plate Inner Spacing (in)
557-695991N	1.57	0.31

Additional Notes
 Frame in Black Acetal (POM)
 Rollers in White Acetal (POM)
 Mounting screw in Stainless Steel
 Each part number consists of (5) 3.93 in modules

Marbett is a registered trademark of Rexnord Industries, LLC. All Rights Reserved.



Product Information			
Part Number	Profile Width (in)	Profile Depth (in)	Module Height (in)
580-611772	1.57	0.39	1.81

Additional Notes
 Frame in Black Acetal (POM)
 Rollers in White Acetal (POM)
 Each part number consists of (5) 2.93 in modules

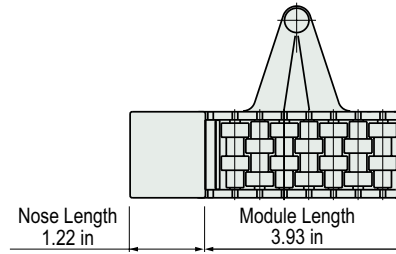
Marbett is a registered trademark of Rexnord Industries, LLC. All Rights Reserved.

PART 570 - Marbett® Roller Guide



Photo shows a roller guide module with nose.

Drawing



Product Information

Part Number

570-601162N

Additional Notes

Frame in black acetal (POM)
 Rollers in white acetal (POM)
 Mounting screw in stainless steel
 Threaded bushing in plated brass
 For use with part 557-695991N

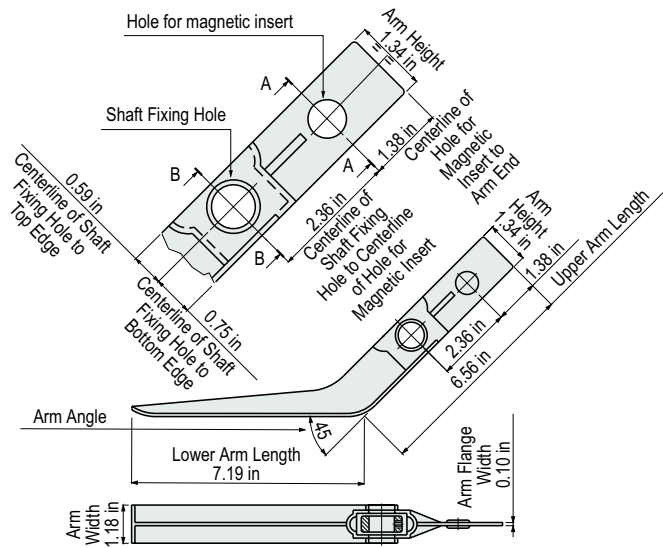
Marbett is a registered trademark of Rexnord Industries, LLC. All Rights Reserved.

PART 518 - Marbett® Control Contact Lever



Photo shows a control contact lever with hole and metal insert.

Drawing



Product Information

Part Number

518-642951N

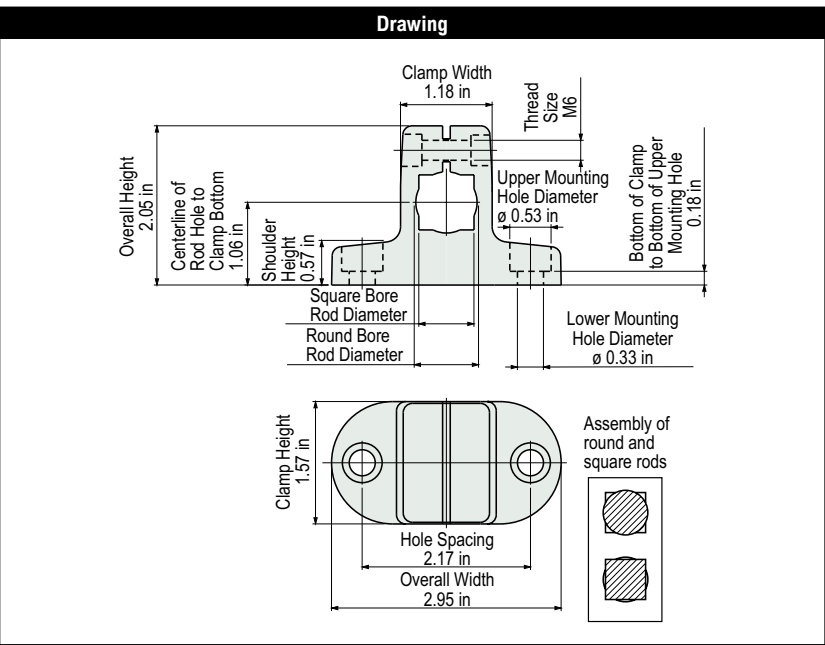
Additional Notes

Lever in black polypropylene
 Insert (for magnetic sensor) in stainless steel

Marbett is a registered trademark of Rexnord Industries, LLC. All Rights Reserved.



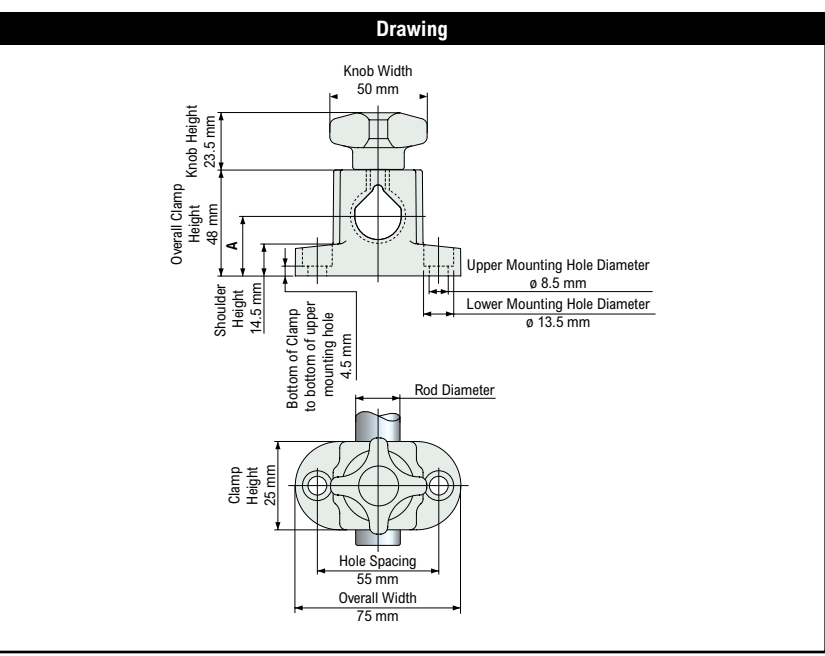
Photo shows T-Clamp in reinforced nylon with stainless steel bolt.



Product Information		
Part Number	Round Bore	Square Bore
	Rod Diameter (in)	Rod Diameter (in)
595-610452	0.79	0.71

Additional Notes
 Clamp in reinforced polyamide (nylon)
 Supplied with stainless steel bolt

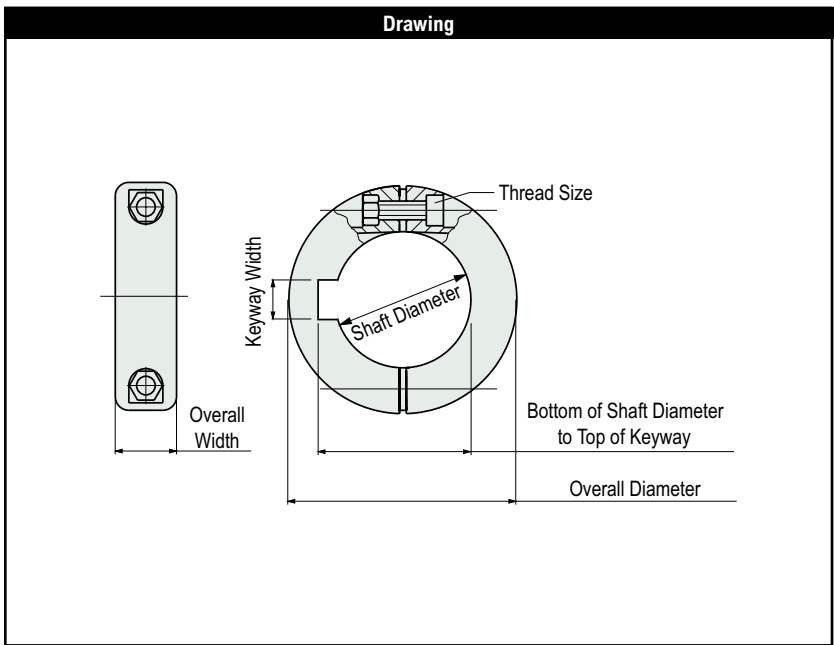
Marbett is a registered trademark of Rexnord Industries, LLC. All Rights Reserved.



Product Information	
Part Number	Rod Diameter (in)
763-610633	0.79

Additional Notes
 Clamp and rod in reinforced polyamide PA FV (black)
 Threaded insert in nickel plated brass
 Nut, washer and eyebolt in austenitic stainless steel
 Max. recommended tightening torque: 4 Kgm (28.9 ft. lbs.)

Marbett is a registered trademark of Rexnord Industries, LLC. All Rights Reserved.

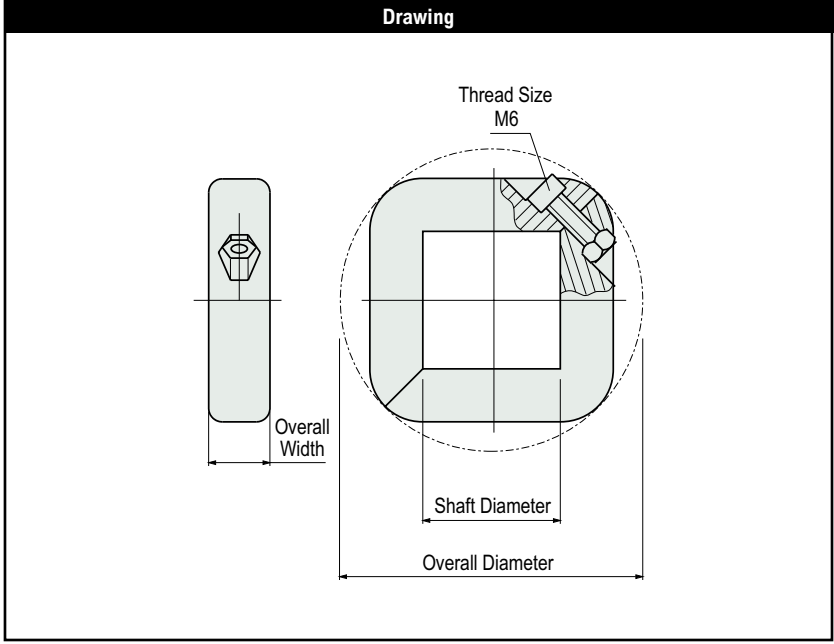


Product Information						
Part Number	Shaft Diameter (in)	Overall Diameter (in)	Overall Width (in)	Thread Size	Keyway Width (in)	Distance From Bottom of Shaft Diameter to Top of Keyway (in)
Without Keyway						
612-655072	1/2	1.18 in	0.46	M4	-	-
612-655092	5/8	1.38 in	0.46	M4	-	-
612-655102	3/4	1.57 in	0.55	M4	-	-
With Keyway						
612-655112	1	1.77 in	0.55	M4	0.25	1.13
612-655122	1 1/4	1.97 in	0.63	M4	0.25	1.38
612-655132	1 1/2	2.50 in	0.71	M5	0.38	1.68

Additional Notes

Collar in reinforced polyamide (PA)
 Hardware in stainless steel
 Maximum recommended torque: 26 in-lbs

Marbett is a registered trademark of Rexnord Industries, LLC. All Rights Reserved.



Product Information			
Part Number	Shaft Diameter (in)	Overall Width (in)	Overall Diameter (in)
612-692942	1 1/2	0.71	3.46
612-692972	2 1/2	0.71	4.57

Additional Notes

Collar in reinforced polyamide (PA)
 Hardware in stainless steel
 Maximum recommended torque: 26 in-lbs

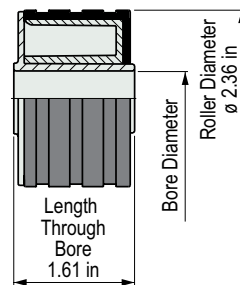
Marbett is a registered trademark of Rexnord Industries, LLC. All Rights Reserved.

PART 613 - Marbett® Bi-material Return Roller



Photo shows a bi-material return roller with 1/2 inch shaft diameter, 1.61 inches length through bore, without flange.

Drawing



Product Information		
Part Number	Shaft Diameter (in)	Bore Diameter (in)
613-632472	1/2	0.52
613-615352	5/8	0.65
613-635142	3/4	0.77

Additional Notes
Roller and bushing in white acetal (POM) Outer surface in grey rubber

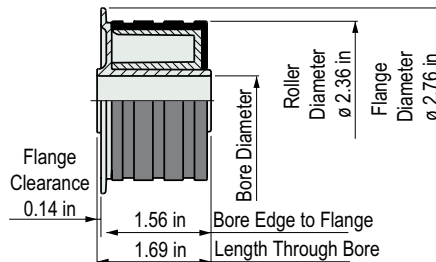
Marbett is a registered trademark of Rexnord Industries, LLC. All Rights Reserved.

PART 614 - Marbett® Bi-material Return Roller



Photo shows a bi-material return roller with 1/2 inch shaft diameter, 1.69 inches length through bore, with flange.

Drawing



Product Information		
Part Number	Shaft Diameter (in)	Bore Diameter (in)
614-632482	1/2	0.52
614-615392	5/8	0.65
614-635152	3/4	0.77

Additional Notes
Roller and bushing in white acetal (POM) Outer surface in grey rubber

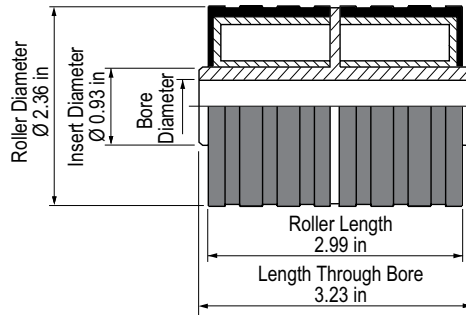
Marbett is a registered trademark of Rexnord Industries, LLC. All Rights Reserved.

PART 657 - Marbett® Bi-material Return Roller



Photo shows a bi-material return roller with 1/2 inch shaft diameter, 3.23 inches length through bore.

Drawing



Product Information

Part Number	Shaft Diameter (in)	Bore Diameter (in)
657-656982	1/2	0.52
657-657002	5/8	0.65
657-656692	3/4	0.77

Additional Notes

Roller and bushing in white acetal (POM)
Outer surface in grey rubber

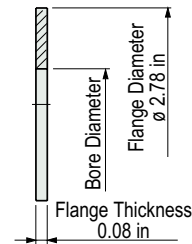
Marbett is a registered trademark of Rexnord Industries, LLC. All Rights Reserved.

PART 555 - Marbett® Guide Flange



Photo shows Guide Flange internally lubricated black nylon.

Drawing



Product Information

Part Number	Shaft Diameter (in)	Bore Diameter (in)
555-632702	1/2	0.51

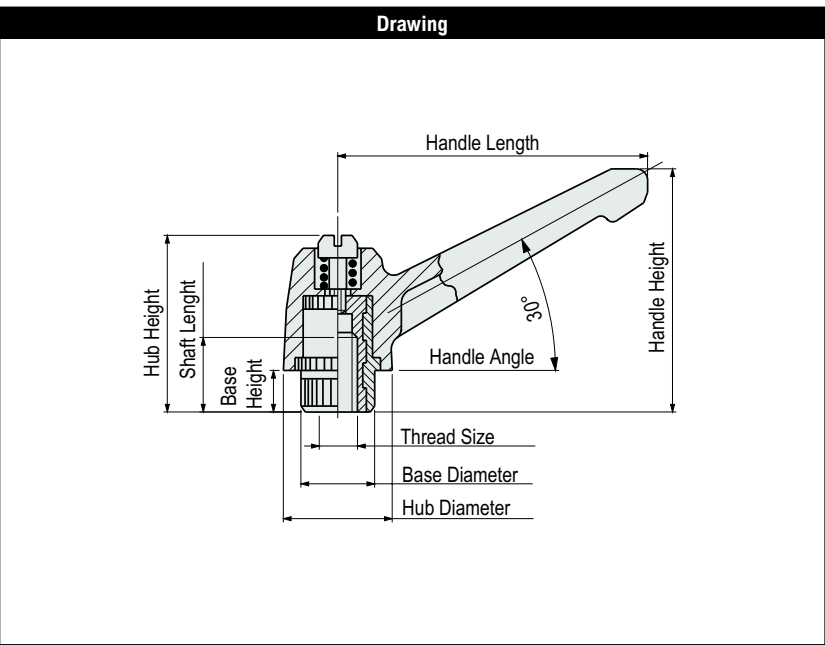
Additional Notes

Internally lubricated black nylon (PA)
Can be applied to rollers (Part 613)

Marbett is a registered trademark of Rexnord Industries, LLC. All Rights Reserved.



Photo shows a ratchet handle with 5/16-18 threaded insert.



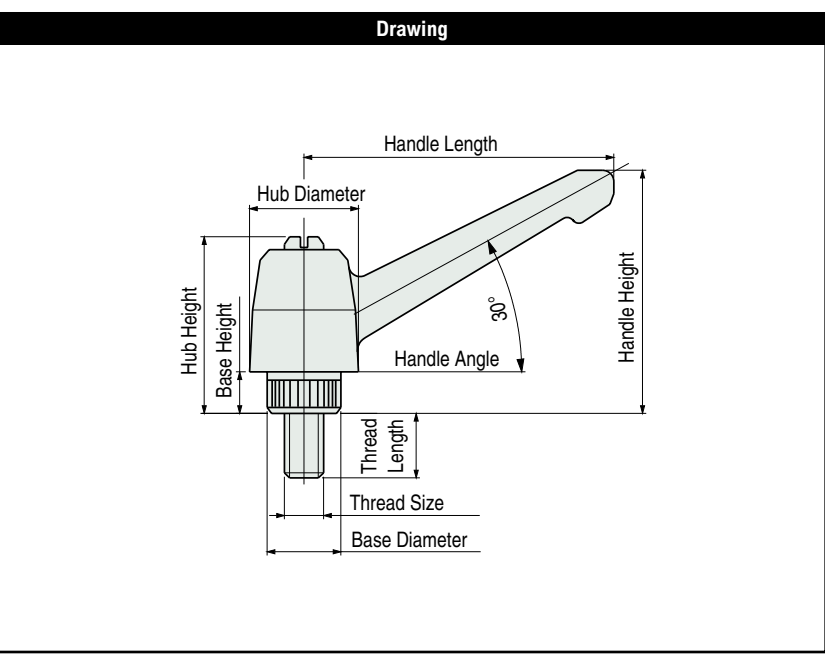
Part Number	Thread Size	Handle Length (in)	Height				Diameter	
			Handle (in)	Base (in)	Shaft (in)	Hub (in)	Base (in)	Hub (in)
302-60852	5/16-18	2.17	2.01	0.39	0.5500	1.46	0.59	0.79
302-60952	3/8-16	3.11	2.64	0.43	0.7900	1.89	0.79	1.10

Additional Notes
 Handle in reinforced nylon (PA)
 Threaded insert in nickel plated brass

Marbett is a registered trademark of Rexnord Industries, LLC. All Rights Reserved.



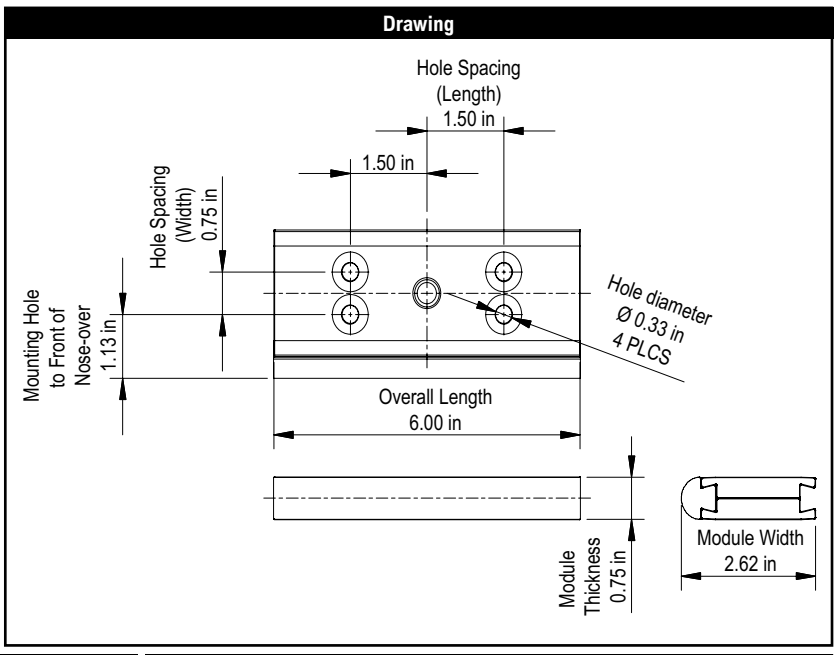
Photo shows a ratchet handle with an M6 threaded spindle.



Part Number	Thread Size	Handle Length	Height				Diameter	
			Handle	Base	Shaft	Hub	Base	Hub
303-60912	1/4"-20	1.57 in	1.57 in	0.28 in	-	1.26 in	0.45 in	0.63 in
303-60922	M6	1.57 in	1.57 in	0.28 in	-	1.26 in	0.45 in	0.63 in

Additional Notes
 Handle in reinforced nylon (PA)
 Spindle in stainless steel

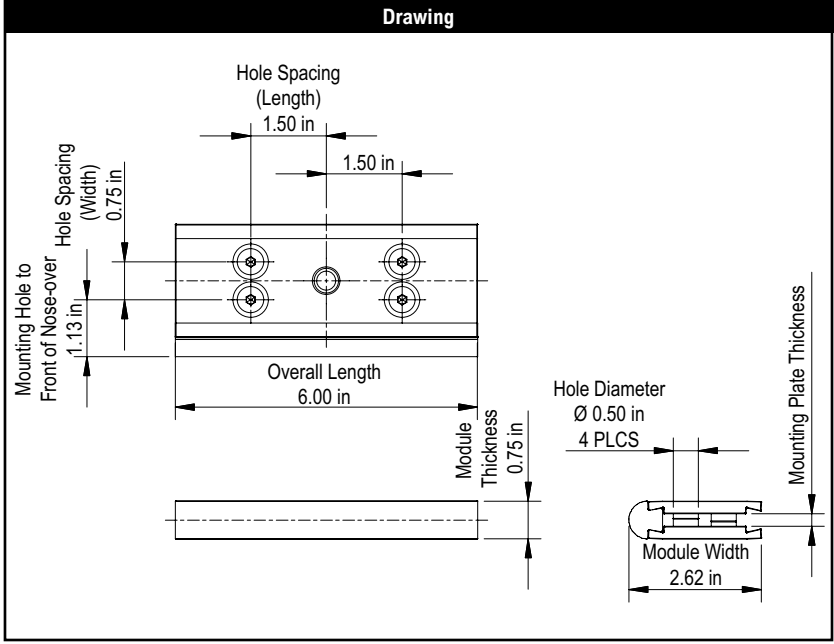
Marbett is a registered trademark of Rexnord Industries, LLC. All Rights Reserved.



Product Information		
Part Number	Module	
	Width	Thickness
905-655711	2.62 in	0.75 in

Additional Notes
 Base in reinforced nylon (PA)
 Nosebar in moly filled nylon
 Uses standard 5/16 in (M8) flat head screws (not included)

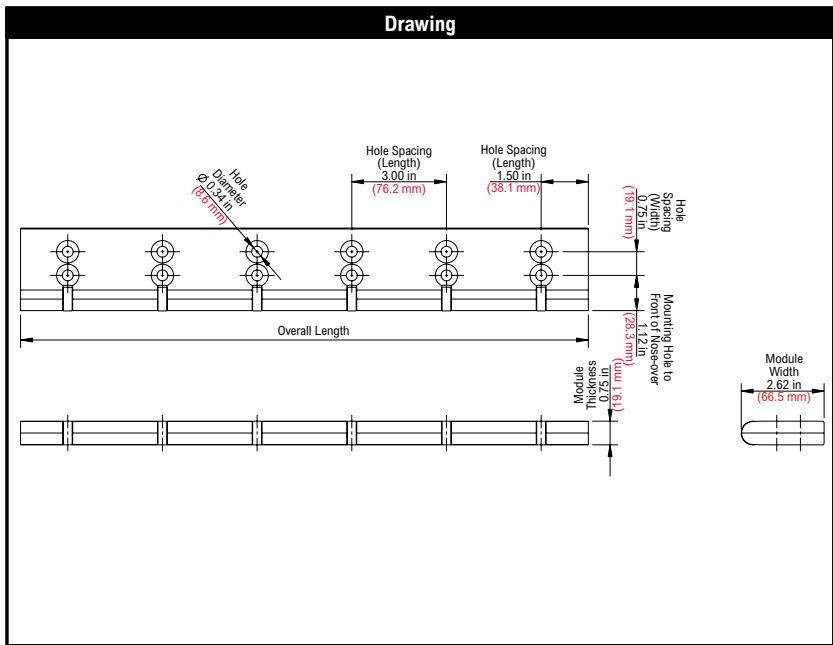
Marbett is a registered trademark of Rexnord Industries, LLC. All Rights Reserved.



Product Information		
Part Number	Mounting Plate Thickness (in)	Hardware Size
905-655721	0.31	M6
905-655731	0.25	1/4-20

Additional Notes
 Base in reinforced nylon (PA)
 Nosebar in moly filled nylon
 Screws in stainless steel; Threaded insert in brass

Marbett is a registered trademark of Rexnord Industries, LLC. All Rights Reserved.



Product Information			
Part Number	Module		
	Thickness (in)	Width (in)	Length (in)
905-656231	0.75	2.62	18
905-656241	0.75	2.62	24

Additional Notes

Base is UHMWPEE
 Uses standard 5/16 in (M8) flat head screws (not included)

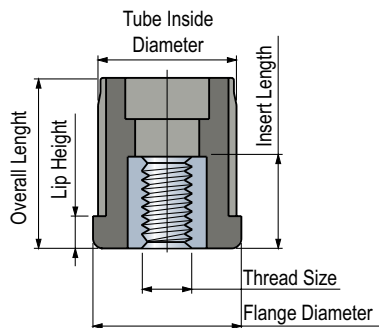
Marbett is a registered trademark of Rexnord Industries, LLC. All Rights Reserved.

PART 180 - Marbett® Tube End



Photo shows a tube end for round 2 inch tubing, 3/4-10 threaded insert.

Drawing



Product Information

Part Number	Tube		Pipe Wall Thickness (in)	Thread Size	Flange Diameter (in)	Height			Maximum Static Load (lb)
	OD (in)	ID (in)				Lip (in)	Overall	Insert	
180-655741	2.00	1.72	0.109	3/4-10	1.97	0.35	2.20 in	1.18 in	1,800

Additional Notes

Bushing in reinforced nylon (PA)
Threaded insert in nickel plated brass

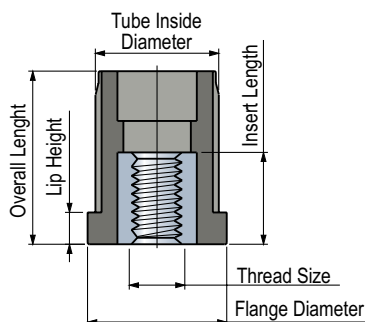
Marbett is a registered trademark of Rexnord Industries, LLC. All Rights Reserved.

PART 224 - Marbett® Tube End



Photo shows a tube end for square 2 inch tubing, 5/8-11 threaded insert.

Drawing



Product Information

Part Number	Tube		Pipe Wall Thickness (in)	Thread Size	Flange Diameter (in)	Height			Maximum Static Load (lb)
	OD (in)	ID (in)				Lip (in)	Overall	Insert	
224-59241	2.00	1.80	0.109	3/4-10	1.91	0.39	2.17	1.18	1,800
224-59261	2.00	1.80	0.109	5/8-11	1.91	0.39	2.17	0.94	1,125

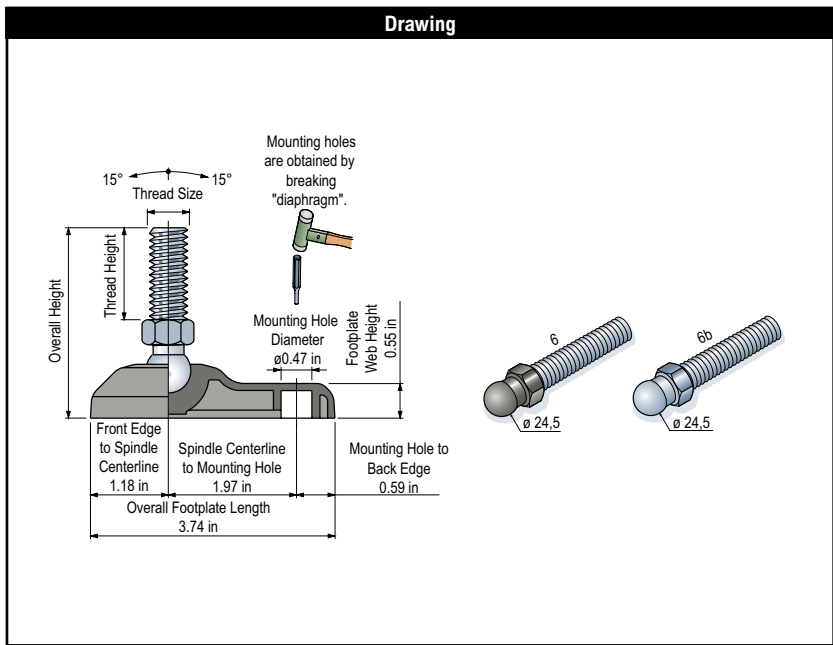
Additional Notes

Bushing in reinforced nylon (PA)
Threaded insert in nickel plated brass

Marbett is a registered trademark of Rexnord Industries, LLC. All Rights Reserved.



Photo shows Teardrop Leveler with stainless steel nut and footplate in reinforced nylon.



Product Information				
Part Number	Thread Size	Overall Height (in)	Thread Height (in)	Spindle Type
94-655081	3/4-10	7.70	5.91	6b
94-655101	3/4-10	7.70	5.91	6
94-655121	3/4-10	10.70	9.02	6
94-656071	M20	7.41	6.06	6b

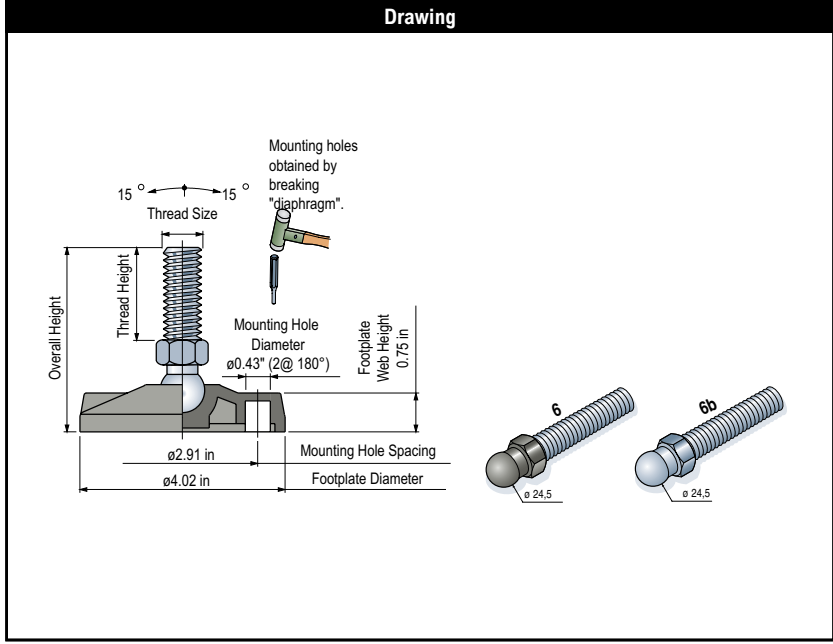
Additional Notes

Footplate in reinforced nylon (PA)
 All assemblies supplied with stainless steel nut
 Anti-slip pad also available. Code no: 0-696171
 Material: Rubber (black), 70 shore

Marbett is a registered trademark of Rexnord Industries, Inc. All Rights Reserved.



Photo shows Leveler with stainless steel nut and footplate in reinforced nylon.



Product Information				
Part Number	Thread Size	Overall Height (in)	Thread Height (in)	Spindle Type
133-636882	3/4-10	7.72	7.33	6b
133-64795	3/4-10	10.72	9.02	6
133-656081	M20	7.41	6.06	6b
133-67972	5/8-11	7.72	5.91	6
133-67982	3/4-10	7.72	5.91	6

Additional Notes

Footplate in reinforced nylon (PA)
 All assemblies supplied with stainless steel nut
 Anti-slip pad also available. Code no: 0-630052
 Material: Rubber (black), 70 shore

Marbett is a registered trademark of Rexnord Industries, LLC. All Rights Reserved.

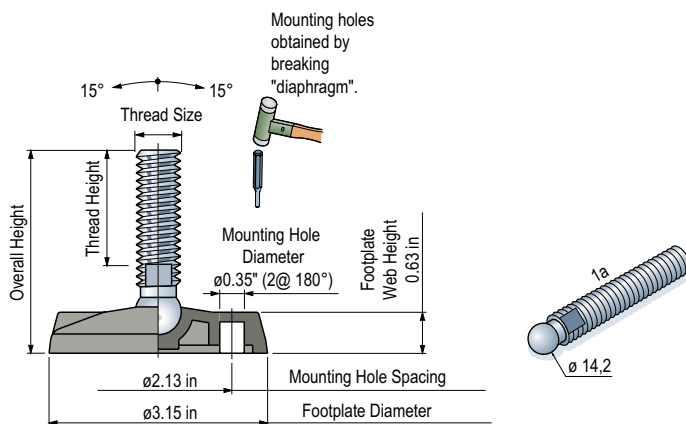
Marbett is a registered trademark of Rexnord Industries, LLC. All Rights Reserved.

PART 323 - Marbett® Leveler



Photo shows Leveler with stainless steel nut and footplate in reinforced nylon.

Drawing



Product Information

Part Number	Thread Size	Overall Height (in)	Thread Height (in)	Spindle Type
323-650161	3/4-10	6.89	5.67	1a
323-655761	3/4-10	4.14	1a	

Additional Notes

Footplate in reinforced nylon (PA)
 All assemblies supplied with stainless steel nut
 Anti-Slip pad also available Code no.: 0-61632
 Material: Rubber (black), 70 Shore

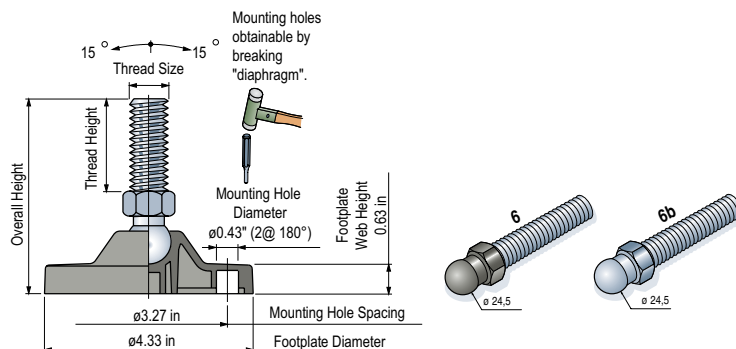
Marbett is a registered trademark of Rexnord Industries, Inc. All Rights Reserved.

PART 479 - Marbett® Leveler



Photo shows Leveler with stainless steel nut and footplate in reinforced nylon.

Drawing



Product Information

Part Number	Thread Size	Overall Height (in)	Thread Height (in)	Spindle Type
479-651331	3/4-10	8.18	5.90	6
479-653131	5/8-11	8.18	5.90	6
479-653691	3/4-10	11.19	9.02	6
479-655941	3/4-10	8.18	5.90	6b

Additional Notes

Footplate in reinforced nylon (PA)
 All assemblies supplied with stainless steel nut

Marbett is a registered trademark of Rexnord Industries, LLC. All Rights Reserved.

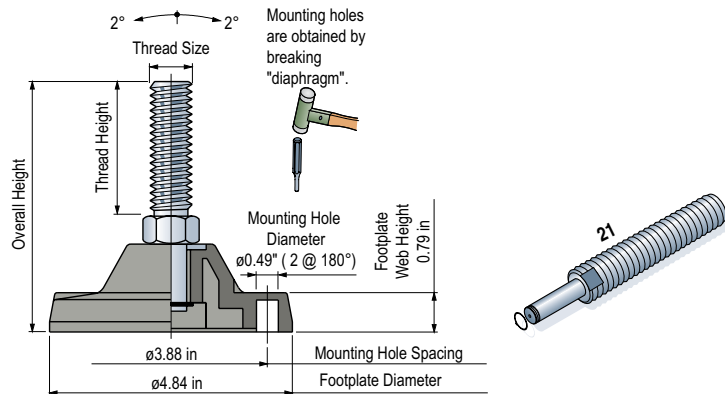
Marbett is a registered trademark of Rexnord Industries, LLC. All Rights Reserved.

PART 169 - Marbett® Leveler



Photo shows Leveler with footplate in reinforced nylon.

Drawing



Product Information

Spindle Material	Part Number	Height		Thread Size	Spindle Type
		Overall (in)	Thread (in)		
Stainless Steel	169-651741	7.60	5.44	1-8	21
Zinc Plated	169-651821	7.60	5.44	1-8	21

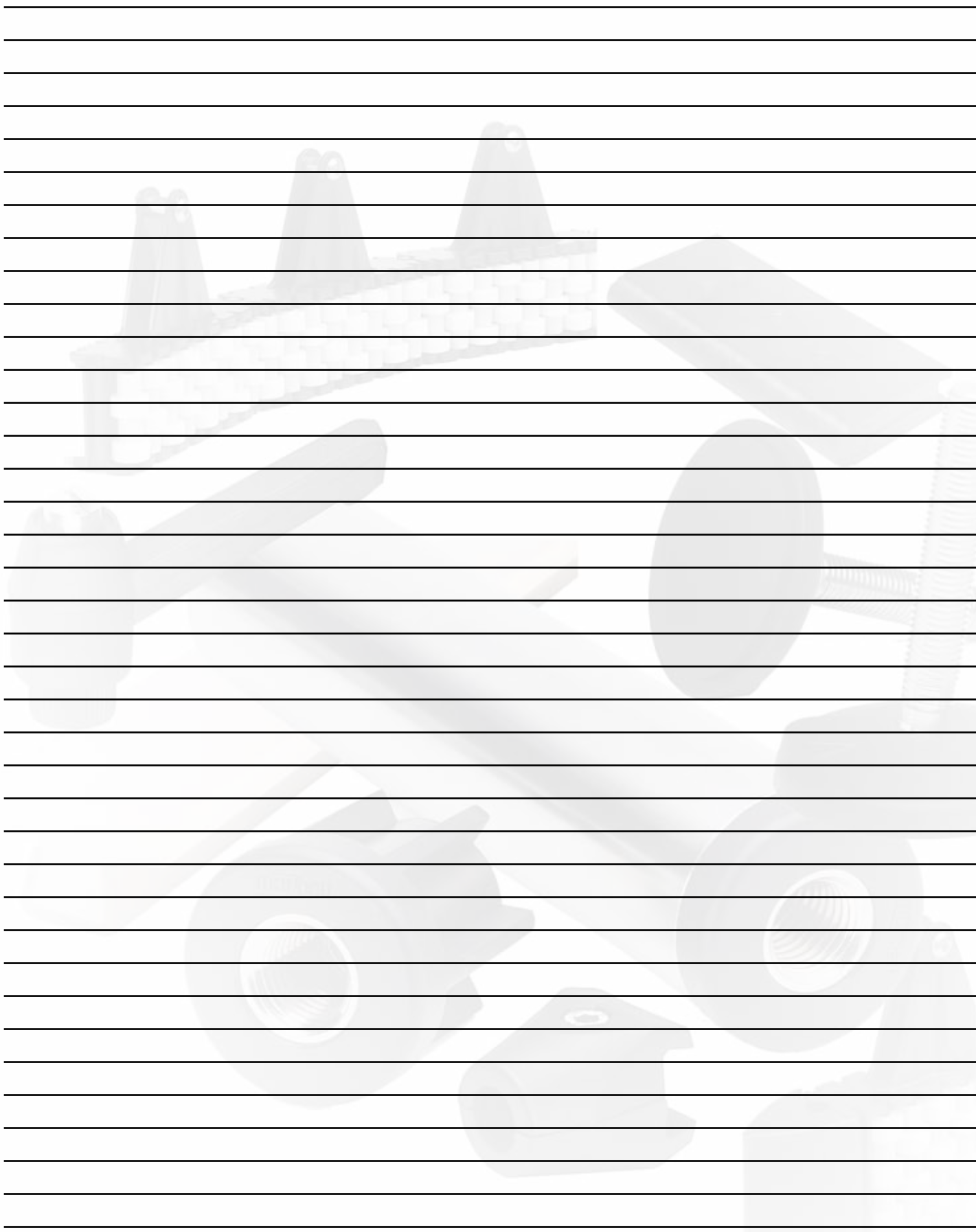
Additional Notes

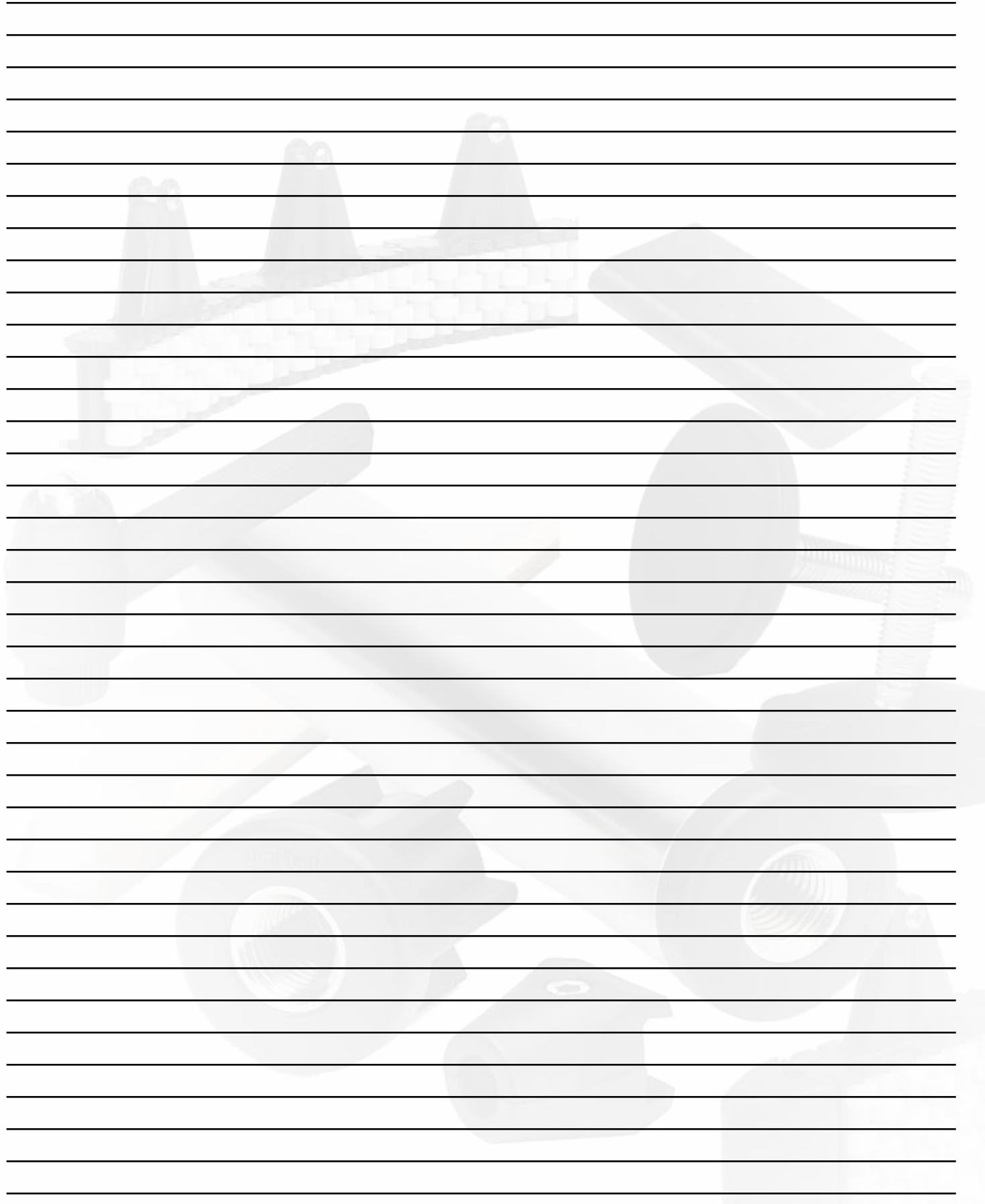
Footplate in reinforced nylon (PA)
 All assemblies supplied with stainless steel nut
 Anti-slip pad also available. Code no: 0-61653
 Material: Rubber (black), 70 shore

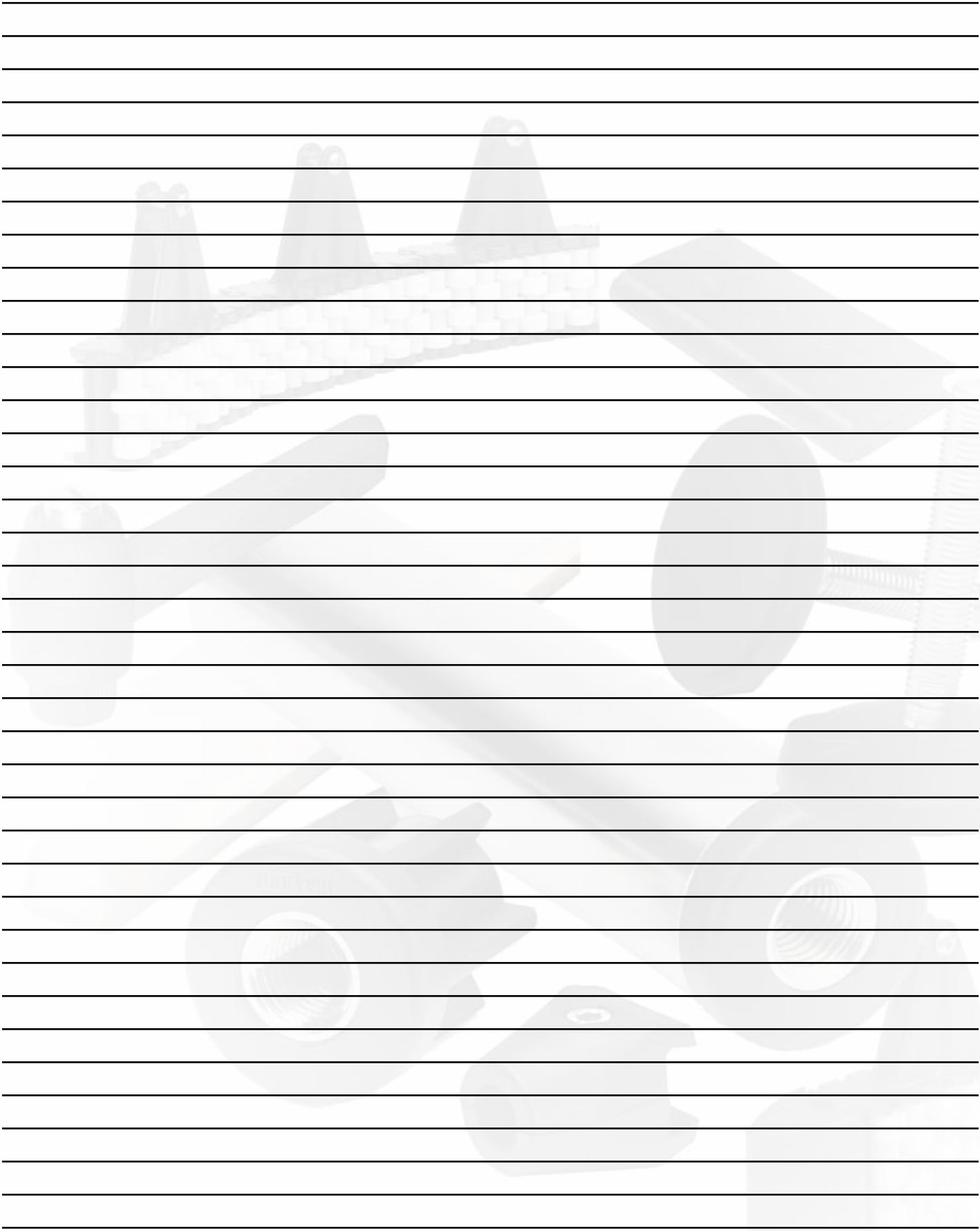
Marbett is a registered trademark of RexnordIndustries, Inc. All Rights Reserved.

MARBETT® PRODUCT PORTFOLIO INDEX

Part	Page	Part	Page
Part 94	33	Part 612	26
Part 114	10	Part 613	27
Part 133	33	Part 614	27
Part 169	35	Part 672	20
Part 174	18	Part 657	28
Part 180	32	Part 902	9
Part 182	19	Part 903	9
Part 210	16-17	Part 905	30-31
Part 224	32		
Part 255	20	GUIDE RAILS	
Part 256	20	Round	3
Part 257	14	Convex	3
Part 302	29	Flat	4
Part 303	29	1" Flat	4
Part 323	34	Neck	6
Part 367	5	1" Tee	6
Part 369	9	1-1/4" Tee	5
Part 371	9	1.6" Tee	7
Part 479	34	2-1/4" Tee	7
Part 518	24	Edge	8
Part 555	28	Tab Tee	8
Part 557	23	L BRACKETS	
Part 562	23	Upper	13
Part 567	21	Lower	13
Part 568	21	Lower Type 2	14
Part 569	22	Offset Upper Type B	14
Part 570	24	Lower Type 3	15
Part 595	25	Offset Upper Type A	15







World Class Customer Service

For more than 100 years, the dedicated people of Rexnord have delivered excellence in quality and service to our customers around the globe. Rexnord is a trusted name when it comes to providing skillfully engineered products that improve productivity and efficiency for industrial applications worldwide. We are committed to exceeding customer expectations in every area of our business: product design, application engineering, operations, and customer service.

Because of our customer focus, we are able to thoroughly understand the needs of your business and have the resources available to work closely with you to reduce maintenance costs, eliminate redundant inventories and prevent equipment down time.

Rexnord represents the most comprehensive portfolio of power transmission and conveying components in the world with the brands you know and trust.

Rexnord and Marbett are registered trademarks, and HP, ViseSplice, and ViseClamp are trademarks of Rexnord Industries, LLC. All rights reserved.

WORLDWIDE CUSTOMER SERVICE

AUSTRALIA

Rexnord Australia Pty Ltd
Picton, New South Wales
Phone: 61-2-4677-3811
Fax: 61-2-4677-3812

BRAZIL

Rexnord Correntes Ltda.
Sao Leopoldo - RS
Phone: 55-51-3579-8022
Fax: 55-51-3579-8029

CANADA

Rexnord Canada Ltd.
Scarborough, Ontario
Phone: 1-416-297-6868
Fax: 1-416-297-6873

CHINA

Rexnord Conveyor Products
(Wuxi) Co. Ltd.
Shanghai
Phone: 86-21-62701942
Fax: 86-21-627019433

FLATTOP EUROPE

Rexnord FlatTop Europe b.v.
's-Gravenzande, The Netherlands
Phone: 31-174-445-111
Fax: 31-174-445-222

After Hours/Emergency Phone:
31-174-445-112

Rexnord Marbett®, S.r.l.
Correggio (RE), Italy
Phone: 39-0522-639333
Fax: 39-0522-637778

RMCC Deutschland Kette GmbH
Aßlar-Werdorf, Germany
Phone: 49-6443-83140
Fax: 49-6443-831420

Rexnord FlatTop France
Orly Cedex
Phone: 33-1-4173-4220
Fax: 33-1-4173-4229

MEXICO

Rexnord FlatTop
Toll-Free Phone: 001-888-808-7787
Fax: 1-262-376-4720

UNITED STATES

Customer Service
Phone: 1-866-REXNORD
(1-866-739-6673)
Fax: 1-614-675-1898
E-mail: [rexnordcs\(state\)@rexnord.com](mailto:rexnordcs(state)@rexnord.com)
Example: rexnordcsohio@rexnord.com

Rexnord FlatTop North America
Grafton, Wisconsin
Phone: 1-262-376-4700
Fax: 1-262-376-4720

Rexnord International - Power Transmission
Milwaukee, Wisconsin
Phone: 1-414-643-2366
Fax: 1-414-643-3222
international2@rexnord.com

ALL COUNTRIES NOT LISTED

Rexnord FlatTop Europe
's-Gravenzande, The Netherlands
Phone: 31-174-445-111
Fax: 31-174-445-222

After Hours/Emergency Phone:
31-174-445-112

