

GRATING PACIFIC

Service. Quality. Reliability.

architectural
fencing
systems

steel ART



fencing
handrail infill
gates
trellis
enclosure screening
architectural accents





contents

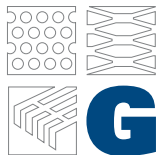
- Pleione® Pg 2
- Sterope® Pg 3
- Dione® Pg 4
- Danae® Pg 5
- Britosterope® Pg 6
- Alcione® Pg 7
- Talia® 100 Pg 8
- Talia® 80 Pg 9
- Color Options Pg 10
- Finish Options Pg 11
- Application Details Pg 12
- Architectural Accents Pg 13

Grating Pacific is proud to present the “Steel Art” of Orsogrill, Italy’s premier line of electrofused steel panels for fencing, handrail infill panels, louvers, sunscreens and trellises. Incorporating premium European design, Orsogrill provides architects with the ideal accent for modern design.

The art of Orsogrill can be found in both vertical and horizontal applications. Starting with fashionable square and rectangular patterns, panels are easily fabricated with contours, diagonals and finish trim to provide security and code compliance while complementing the harmony of adjacent architecture.

Beyond the rigid durability of steel components, Orsogrill panels can be finished in a full palette of RAL colors. Powder coated panels with the underlying zinc or primer coatings will provide a corrosion resistant, maintenance-free finish that will last for years.

Form and function. Orsogrill is a versatile, secure and aesthetic solution.



GRATING PACIFIC

Service. Quality. Reliability.

Arizona
Phoenix, AZ
1-888-936-9201

Southern California
Los Alamitos, CA
1-800-321-4314

Oregon
Woodburn, OR
1-800-942-4041

Washington
Seattle, WA
1-800-243-3939

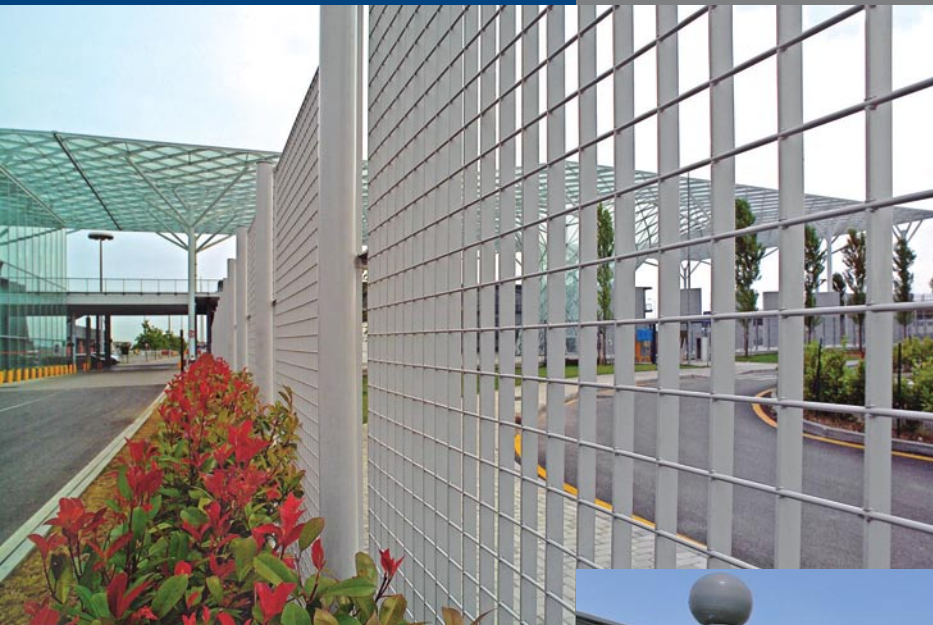
Central/Northern California
Tracy, CA
1-800-491-7999

For more information, visit our website at www.gratingpacific.com

Go Green Ideas

Proper product specification includes consideration of environmentally favorable aspects. The architectural patterns of Orsogrill are ideal for the introduction of landscape elements that merge security and beauty. On the pages that follow, you will see “Go Green Ideas”. These suggestions list foliage and shrubbery that blend beautifully with the “Steel Art” of Orsogrill.





Fence Panels

Handrail Infill

Louver Panels

Overhead Trellis

Green Panels





Fencing

Handrail Infill



Pleione®
(play - oh - nay)

Pleione® Fence Panel & Handrail Infill System

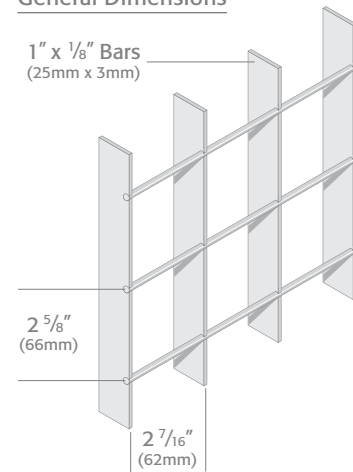
The most popular square mesh pattern designed by Orsogril. Pleione subtly suggests strength, rigidity, and security. This ideal solution for industrial and commercial applications provides a superior strength-to-weight ratio over other economical fencing products.

Panels are easily fabricated to any size, shape or configuration to complement the most creative architectural applications.

- Pleasant visual accent
- Square mesh provides visual symmetry
- Maximum design flexibility
- Discreet security
- 2 5/8" Nominally square grid rated "non-climbable"
- Conforms to UBC safety requirements
- Available with all framing & post options
- Wide variety of finishes and colors

Weight Per Square Foot	
3mm Main Bar	2.5#/sq. ft.
2mm Main Bar	1.8#/sq. ft.

General Dimensions



STANDARD COLORS 1 2 3 4 5 6 7 8 9 10 11 12 13 14 15 16

*see pages 10-11 for complete color and finish details

Go Green Idea - Star Jasmine



Star Jasmine (*Trachelospermum Jasminoides*) - Evergreen vine with rich dark leaves, small white flowers with sweet, fragrant, blooms in late spring and early summer.



Sterope®
(stay-ro-pay)

Sterope® Fence Panel & Handrail Infill System

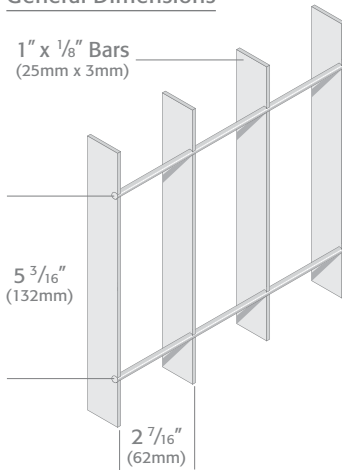
The most widely used rectangular design, Sterope features timeless lines combined with unmatched versatility. This remarkably cost-effective solution to fencing requirements provides a unique blend of security and aesthetics.

Panels are easily fabricated to any size, shape or configuration to complement any architectural application.

- Architectural, industrial, and residential applications
- Distinct and timeless rectangular pattern
- Maximum design flexibility
- Cost effective security
- 2 7/16" x 5 3/16" "non-climbable" rectangular grid
- Available with all framing & post options
- Wide variety of finishes and colors

Weight Per Square Foot	
3mm Main Bar	2.2#/sq. ft.
2mm Main Bar	1.6#/sq. ft.

General Dimensions



Fencing

Handrail Infill



Go Green Idea - Bower Vine



1 2 3 4 5 6 7 8 9 10 11 12 13 14 15 16 STANDARD COLORS
*see pages 10-11 for complete color and finish details

Bower Vine (Pandorea Jasminoides) - Fast growing vine with thin stems, stunning colorful flowers of white or pink. Medium to dark foliage. Also available with variegated leaves.



Dione®
(dee-oh-nay)

Dione® Fence Panel & Handrail Infill System

The extremely rigid characteristics of the popular Dione design provides a closely spaced nominal square pattern with increased strength and security, ideally suited for shorter fences and infill panel requirements. Extremely strong and efficient, and able to withstand increased lateral load requirements, Dione provides durability and versatility in one handsome package.

- Cross bar spacing provides enhanced security
- Nominally square pattern
- Appealing visual aspect
- Prominent physical barrier
- 1 5/8" x 1 3/4" "non-climbable" grid
- Available with all framing & post options
- Wide variety of finishes and colors

Weight Per Square Foot	
3mm Main Bar	3.3#/sq. ft.
2mm Main Bar	2.4#/sq. ft.

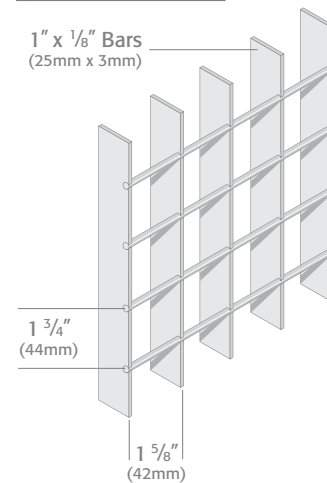


Fencing

Handrail Infill



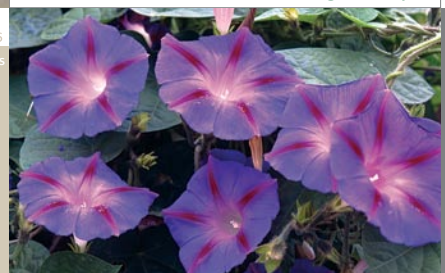
General Dimensions



STANDARD COLORS 1 2 3 4 5 6 7 8 9 10 11 12 13 14 15 16

*see pages 10-11 for complete color and finish details

Go Green Idea - Morning Glory



Morning Glory (Ipomoea Acuminata) - Energetic evergreen vine features rapid growth, dark green leaves, and beautiful blue flowers in season. Perfect for covering large surface areas.



Danae®
(dah-nay)

Danae® Fence Panel & Handrail Infill System

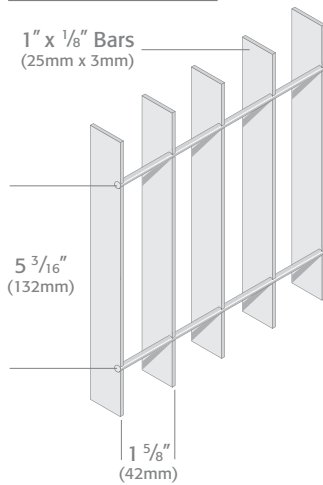
The more closely spaced main elements of this classic Orsogril design make Danae the perfect choice where increased visual blocking is preferred. The added strength and rigidity of the panel allows for more sturdy fences and enclosures, and is virtually non-climbable.

Danae panels are easily fabricated to any size, shape or configuration, to meet virtually any architectural challenge.

- Provides superior security
- Attractive rectangular pattern
- Unique design opportunities
- Functional & cost effective
- 1 5/8" x 5 3/16" "non-climbable" rectangular grid
- Available with all framing & post options
- Wide variety of finishes and colors

Weight Per Square Foot	
3mm Main Bar	3.1#/sq. ft.
2mm Main Bar	2.2#/sq. ft.

General Dimensions



Fencing

Handrail Infill



Go Green Idea - Passion Vine



1 2 3 4 5 6 7 8 9 10 11 12 13 14 15 16 STANDARD COLORS

*see pages 10-11 for complete color and finish details

Passion Vine (*Passiflora Alatoeaerulea*) - Vigorous evergreen vine produces dramatic, colorful and delicately characted flowers throughout the summer months.



Britosterope®
(britt-oh-stay-ro-pay)

Britosterope® Fence Panel & Handrail Infill System

Designed to provide increased depth and strength of the main elements, Britosterope incorporates a deeper bar section while maintaining the same timeless Sterope pattern of the most popular Sterope design. Britosterope's increased depth and load carrying capacity make it an excellent choice for overhead trellising.

- Durable bearing bars and cross bars
- Popular rectangular pattern
- Superior security
- Prominent physical barrier
- 2 7/16" x 5 3/16" "non-climbable" grid
- Available with all framing & post options
- Wide variety of finishes and colors

Weight Per Square Foot	
4mm Main Bar	3.6#/sq. ft.

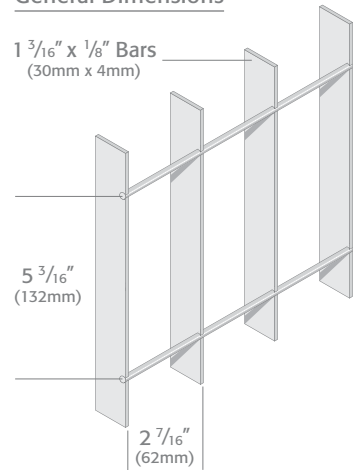


Fencing

Handrail Infill



General Dimensions



Go Green Idea - Bougainvillea



STANDARD COLORS 1 2 3 4 5 6 7 8 9 10 11 12 13 14 15 16

*see pages 10-11 for complete color and finish details

Bougainvillea - Hearty, colorful evergreen shrubby vine, exhibiting vigorous growth tendencies. Available in a variety of colorful flowers. Thrives in warm climates.

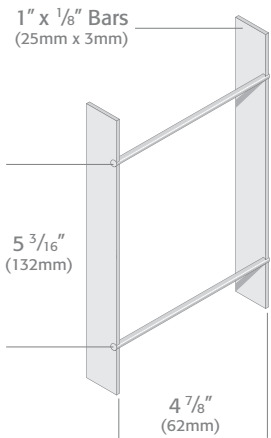
Alcione® Fence Panel & Handrail Infill System

Light and airy, Orsogril's Alcione design provides for a modular perimeter fence that blends into the background while providing a permanent barrier. The extra wide spacing between the main and supplemental elements do not meet UBC in-fill requirements with regards to opening size.

- 4 7/8" x 5 3/16" pattern
- Reduced visual impact
- Economical lightweight design
- Popular for trellis applications
- Available with all framing & post options
- Wide variety of finishes and colors

Weight Per Square Foot	
3mm Main Bar	1.3#/sq. ft.
2mm Main Bar	1.0#/sq. ft.

General Dimensions



Fencing



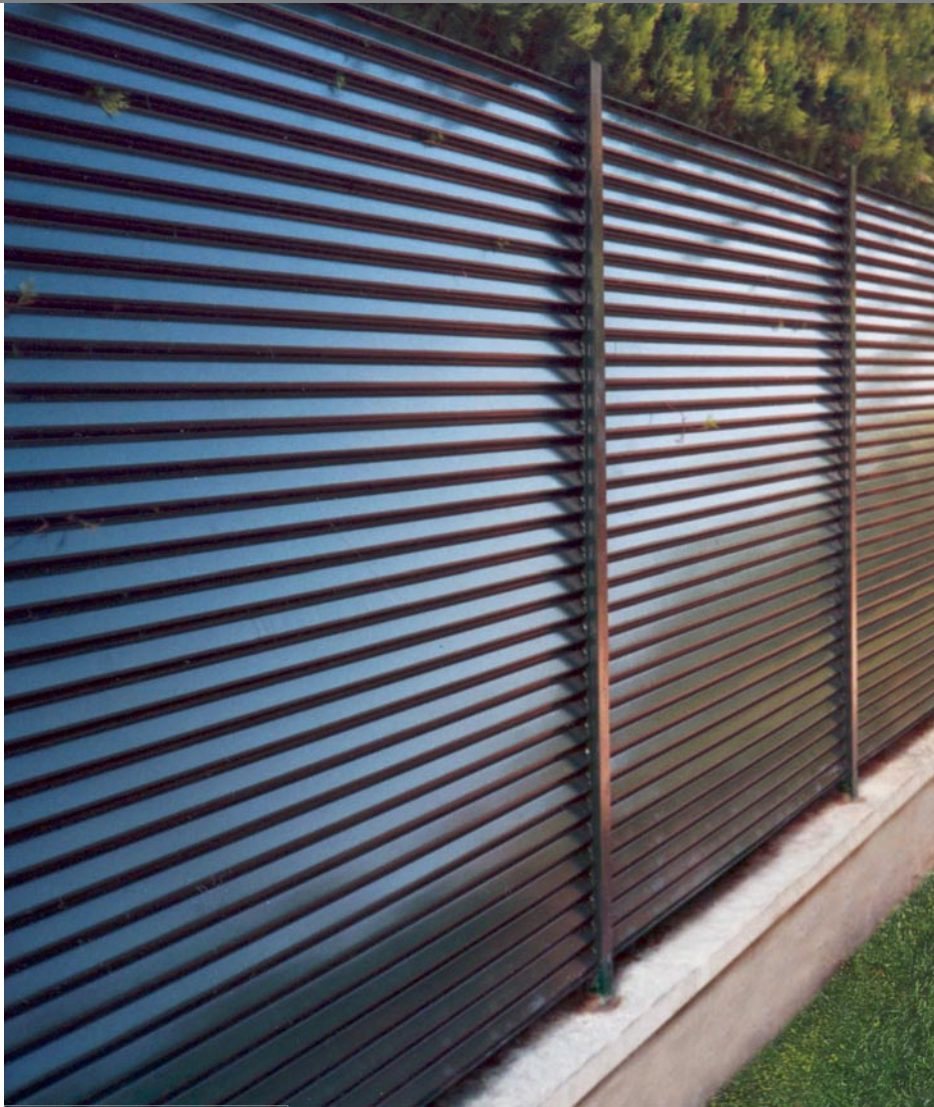
Handrail Infill

Go Green Idea - Violet Trumpet Vine



1 2 3 4 5 6 7 8 9 10 11 12 13 14 15 16 STANDARD COLORS
 *see pages 10-11 for complete color and finish details

Violet Trumpet Vine (*Bignonia Violacea*) - A cascading curtain of colorful purple flowers on lush evergreen. Grows well in sun or shade, but susceptible to damage in colder climates.



Fencing

Screening



Talia® 100
(t a h - l e e - a h)

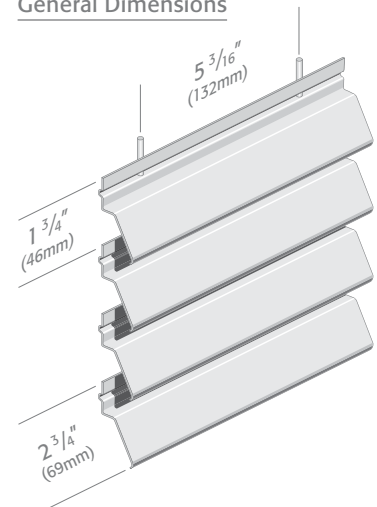
Talia® 100 Fence Panel & Screening System

Concealment and ventilation go hand-in-hand with Orsogrill's Talia 100 design. This elegant panel provides 100% concealment by combining louvered bars permanently welded to round cross bars hidden behind the panel. A very economical and practical solution for screening and cladding applications. Perfect for concealing mechanical equipment and waste enclosures, while allowing 35% free air flow.

- Rigid louvered panels
- Provides maximum privacy
- Excellent ventilation
- Install vertical or horizontal
- Popular for garage ventilation
- Available with all framing & post options
- Wide variety of finishes and colors
- Weight: 4.3 pounds sq. ft.
- Louver thickness 1/16"



General Dimensions



STANDARD COLORS 1 2 3 4 5 6 7 8 9 10 11 12 13 14 15 16

*see pages 10-11 for complete color and finish details



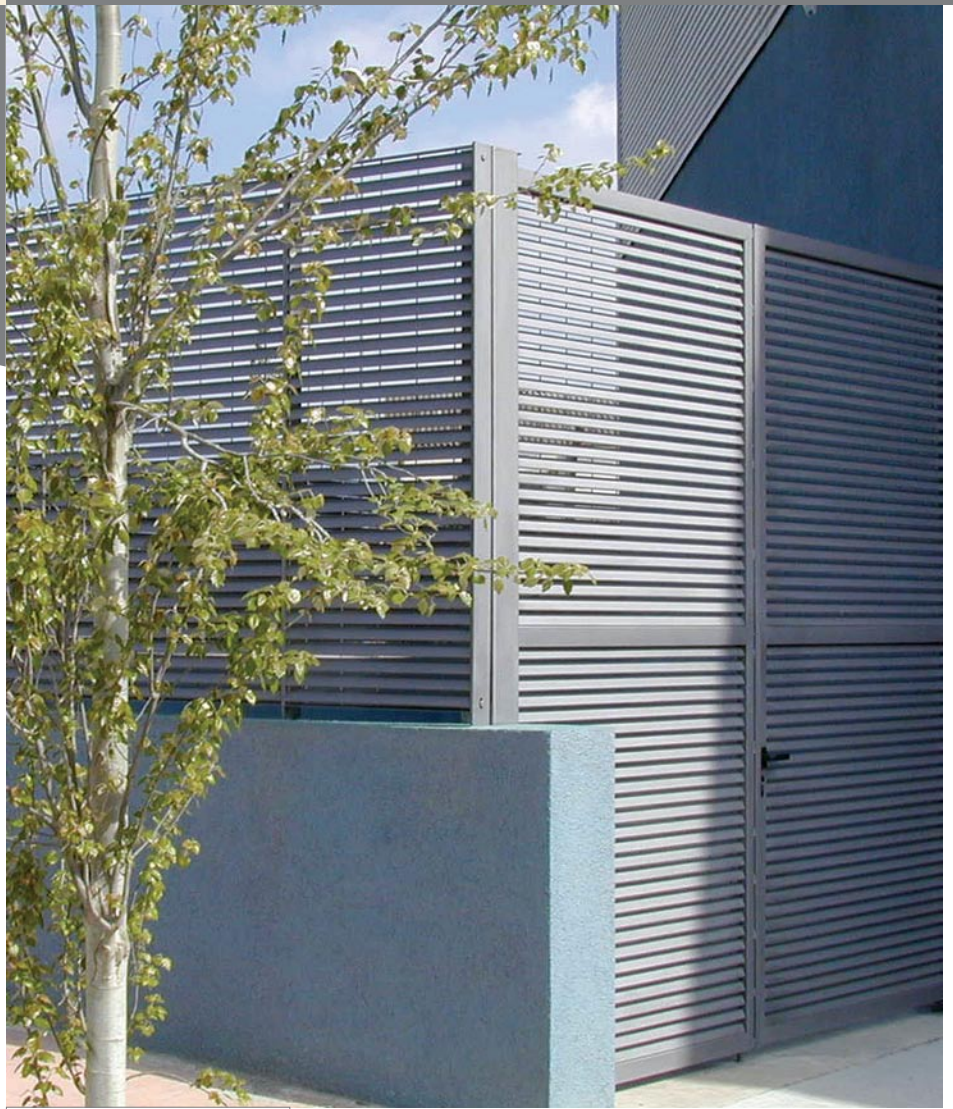
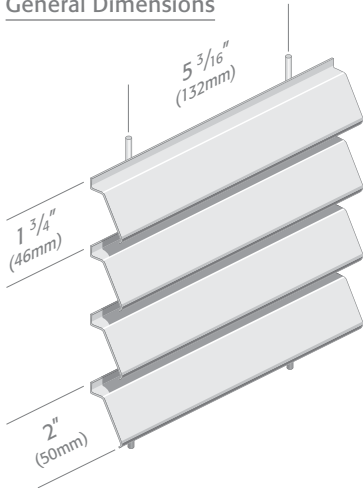
Talia® 80
(tah-lee-ah)

Talia® 80 Fence Panel & Screening System

The companion design from Orsogril for louvered panel requirements that allow a minimal amount of visual access, Talia 80 provides a distinct look while providing a concealment level of 80%, with 45% free air flow. The slightly larger open area allows for more free passage of air and light, while at the same time concealing unsightly but necessary amenities such as rooftop air conditioning equipment and ground level electrical transformers.

- Rigid louvered panels
- Attractive and discreet visual obstruction
- Superior ventilation
- Install vertical or horizontal
- Popular for sunscreens
- Available with all framing and post options
- Wide variety of finishes and colors
- Weight: 3.0 pounds sq. ft.
- Louver thickness 1/16"

General Dimensions



Fencing

Screening



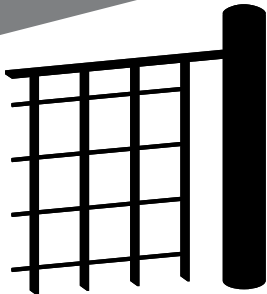
STANDARD COLORS

*see pages 10-11 for complete color and finish details

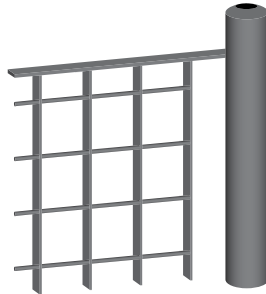


Color Options

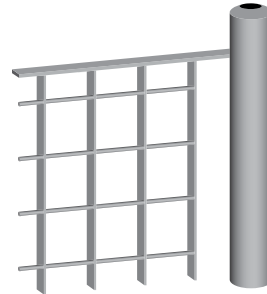
Selection of the proper complementary color for architectural accents increases the overall appeal of any project. The colors shown have been selected to illustrate current contemporary color schemes, but represent only a small range of available colors.



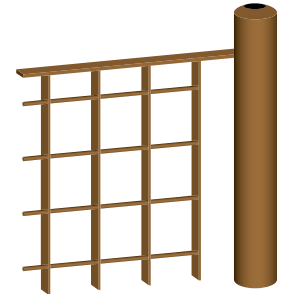
1 Midnight
RAL 9004



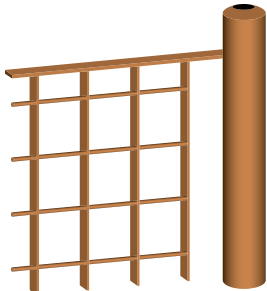
2 Storm
RAL 7039



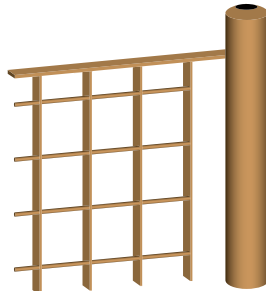
3 Slate
RAL 7040



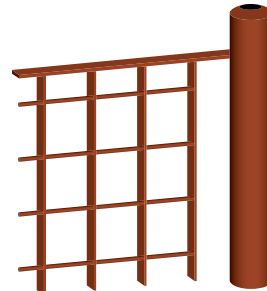
4 Cinnamon
RAL 8007



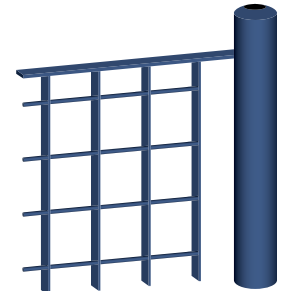
5 Saffron
RAL 8023



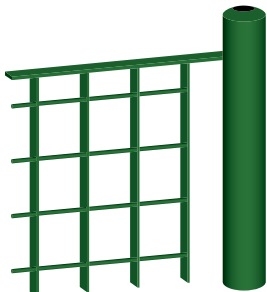
6 Ginger
RAL 1011



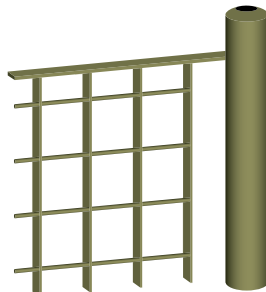
7 Brick
RAL 3009



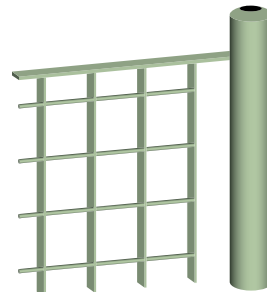
8 Ocean
RAL 5003



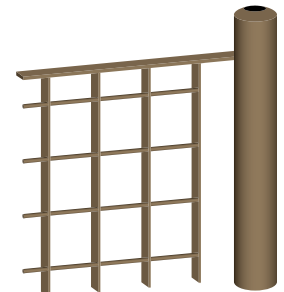
9 Green
RAL 6001



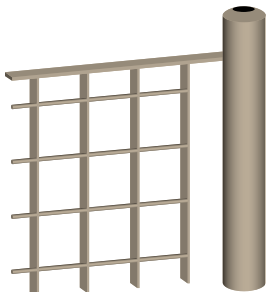
10 Sage
RAL 6013



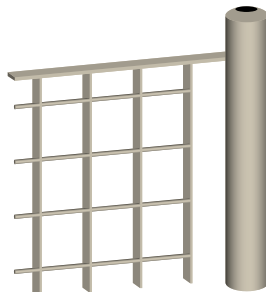
11 Celadon
RAL 6021



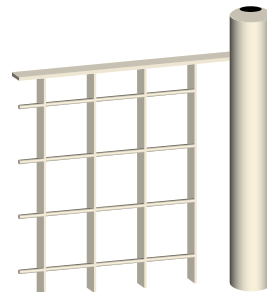
12 Bronze
RAL 7006



13 Latte
RAL 1019



14 Stone
RAL 7032



15 Cream
RAL 1013



16 White
RAL 9003



Custom powder coat colors are available upon request. The colors shown here are for representational purposes only. Actual colors may vary slightly. Please refer to a RAL color chart for a full range of colors, or contact Grating Pacific for further information.



There are five standard finishes available on all Orsogril products— from premium to economical. If you need assistance selecting the finish that is right for your application, please contact your Grating Pacific representative.



Powder Coat Primer and Powder Coat Finish

“Powder-Powder” finish is a superior architectural coating that provides a distinct finished appearance. Fabricated panels are first treated by abrasive blasting to remove mill scale and provide a clean, uniform surface. A corrosion resistant epoxy prime powder coat is then applied and cured by oven-baking. The panel is then coated with a TGIC polyester powder finish coat which provides ultraviolet protection and a smooth surface appearance. The finish coating of 7-10 mils overall thickness is an excellent choice for both exterior and interior applications where appearance of the surface must meet demanding architectural standards.

Zinc Plated and Powder Coat Finish

“Zinc-Powder” finishes are well suited for interior applications and inland exterior applications. The primary plated finish provides corrosion resistance by coating the fabricated panel with a smooth, 1-2 mil protective layer of zinc conforming to ASTM B-633. The panels are then etched to accept a finish application of TGIC polyester powder coating available in the full range of RAL color options.

Galvanized and Powder Coat Finish

“Galvanized-Powder” is frequently specified as the superior solution for applications where corrosion resistance and the application of color are required. Finished panels are hot dip galvanized to provide a 3-5 mil coating of zinc per ASTM A-123, and then etched to accept TGIC polyester powder coating available in a variety of RAL colors. Recommended for outdoor applications, and considered particularly effective near coastal waters. It should be noted that the initial galvanized coating randomly exhibits rough texture that may be accentuated by the application of the finish powder coating.

Galvanized Finish

“Galvanized” panels provide excellent corrosion resistance for grillework exposed to atmospheric conditions. Commonly specified as an economical finish for outdoor applications, panels receive a 3-5 mil coating of zinc in accordance with ASTM A-123 after fabrication. It should be noted that hot dip galvanizing is not considered an architectural coating. Galvanized products may randomly exhibit rough texture on the finished surface, dissimilar color characteristics, and will oxidize when exposed to the elements.

Primer Coat Finish

“Primer” finished panels are available with a wide variety of primer paint coatings. Primer finish is typically specified for applications where on-site finish coatings will be applied to complement adjacent construction. Primer finish provides limited corrosion resistance, and it is important to specify primers that are compatible with the finish coat that will be applied.

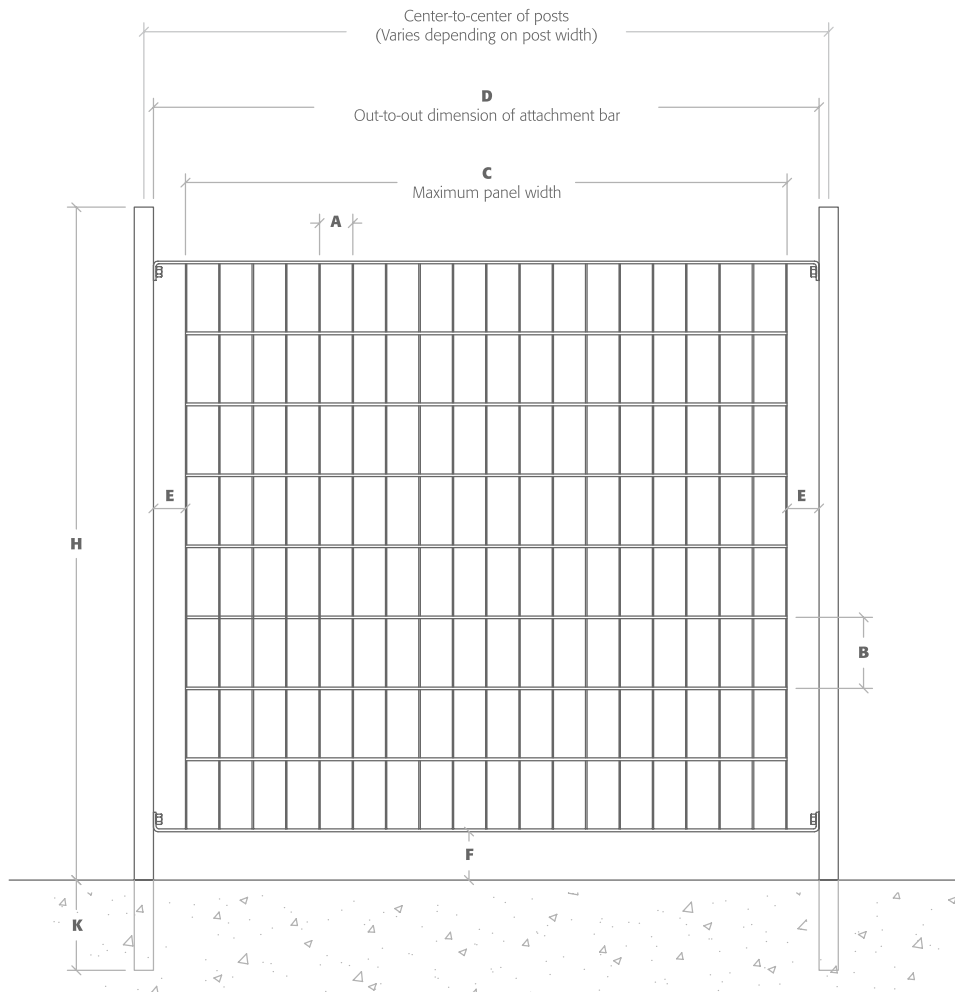


Application Details

Optimal Post Width Spacings

Utilizing the table below will provide for the most efficient and cost-effective material utilization and placement of posts for fence and infill panels.

		A	B	C	D	E	F
Orsogril® Design	Weight Per Square Foot	Center-to-Center Main Bars	Center-to-Center Main Bars	Maximum Panel Width	Out-to-Out Attachment Bars	Suggested Gap Bar to Post	Suggested Gap Ground to Panel
Sterope®	2.2#	2 7/16" 62mm	5 3/16" 132mm	73 3/8" 1863mm	78" 1981mm	2 5/16" 59mm	3 7/8" 98mm
Pleione®	2.5#	2 7/16" 62mm	2 5/8" 66mm	73 3/8" 1863mm	78" 1981mm	2 5/16" 59mm	3 7/8" 98mm
Danae®	3.1#	1 5/8" 42mm	5 3/16" 132mm	58" 1472mm	61" 1550mm	1 1/2" 38mm	3 7/8" 98mm
Dione®	3.3#	1 5/8" 42mm	1 3/4" 44mm	58" 1472mm	61" 1550mm	1 1/2" 38mm	3 7/8" 98mm
Britosterope®	3.6#	2 7/16" 62mm	5 3/16" 132mm	73 3/8" 1863mm	78" 1981mm	2 5/16" 59mm	3 7/8" 98mm
Alcione®	1.3#	4 7/8" 124mm	5 3/16" 132mm	73 3/8" 1863mm	78" 1981mm	2 5/16" 59mm	3 7/8" 98mm



Suggested Fence Post Depths

Post Height H	36" 914mm	48" 1219mm	60" 1524mm	72" 1829mm	96" 2438mm
Post Depth K	8" 203mm	8" 203mm	10" 254mm	12" 305mm	14" 356mm

All "Standard" U.S. dimensions are nominal metric conversions.



Fence Post Options

Orsogril fence and infill panels can be supported by a wide array of post supports. Some of the most popular options include:



Flat Bar

Clean and linear, specify desired bar size.



Round

Pipe or tubing can be fabricated with your choice of post caps.



Square

Square tubing can be specified with any gauge to meet specific load capacities.



Rectangular

Rectangular tubing provides a striking architectural effect.



Econo

Fabricated steel tube with pre-punched holes for bolting of panels.

Cap Rail Options

Orsogril panels can be shop fabricated with Cap Rails welded to the finished panel. Cap Rails can be bolted or welded to the supporting structure for efficient field assembly.



Trim Band

Flat bar welded to end of panel. Commonly punched and formed to facilitate bolting to fence posts.



Plate Band

Oversize flat bar welded to end of panel. Specify desired plate band size.



Tube Frame

Specify any popular tube size to complement adjacent architecture.



U-Edge

Formed 1/8" plate welded to panel. Standard depth of 1 1/4" can be modified.



Mold Cap

Popular mill rolled ornamental steel bar available for 1" and 1 1/4" deep panels.

Post Cap Options

Consider the following welded Post Caps for a distinct architectural accent to your design.



Flush

Steel plate welded to the top of any round, square or rectangular shape.



Pressed

Timeless look provided by a round, square or rectangular formed plate.



Domed

Available for round posts from 1" to 4" diameter.



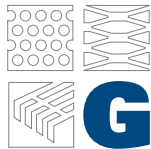
Hollow Ball

Unique accent for square or round tube; ball diameters from 1 1/2" to 12" diameter.



Square Ball

Classic design for square tubes from 1" to 4".



GRATING PACIFIC

Service. Quality. Reliability.

Arizona
Phoenix, AZ
1-888-936-9201

Southern California
Los Alamitos, CA
1-800-321-4314

Oregon
Woodburn, OR
1-800-942-4041

Washington
Seattle, WA
1-800-243-3939

Central/Northern California
Tracy, CA
1-800-491-7999

For more information, visit our website at www.gratingpacific.com