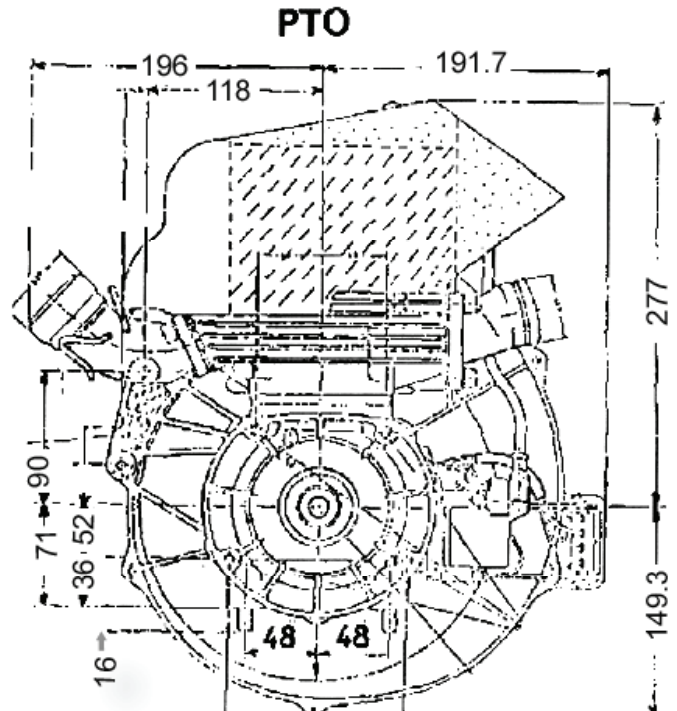
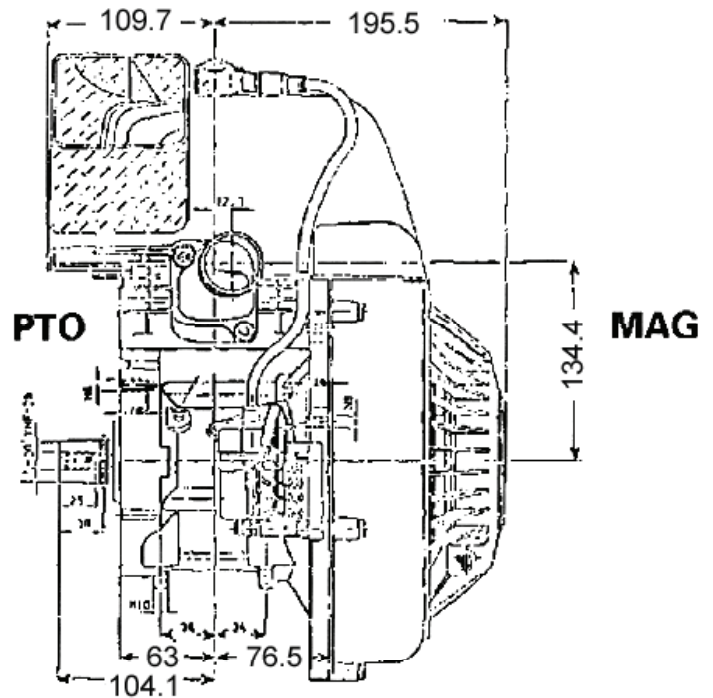
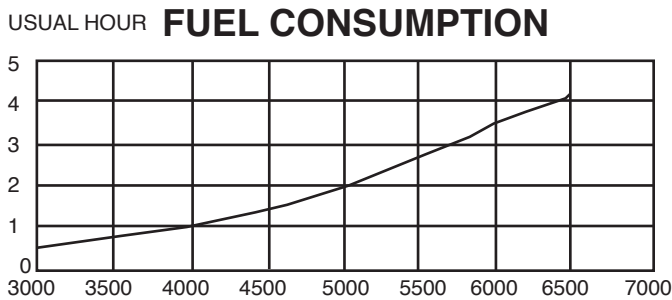
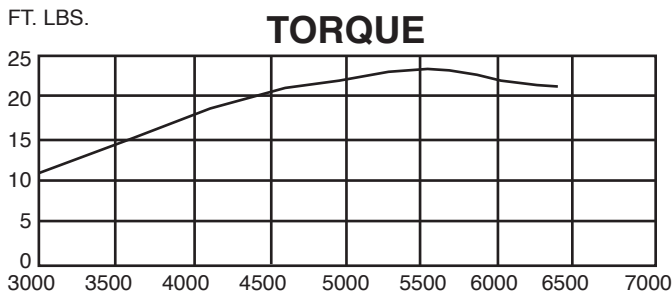
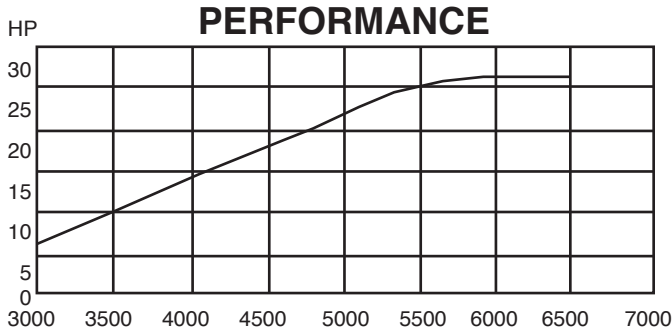


ROTAX 277 UL - 26 hp Fan Cooled 6250 RPM

(Please Note: The ROTAX 277 Engine is No Longer in Production)

FAN COOLED



**ROTAX 277 - 26 hp - 6250 RPM
1 Cylinder/ 2 - Stroke Piston Ported**

Bore/Stroke: 72/66 mm

Displacement: 268.7

Ignition System: Bosch Flywheel Magneto Generator
12V 75/23W

Carburetor: 36 mm Bing Double Float Carburetor
with hand lever or alternatively cable choke.

Starter: Rewind or Electric

Cooling: Free Air or Fan Cooled

Lubrication: Oil in fuel, 2-stroke oil; mixing ratio: 50:1

Fuel: Premium Unleaded; Not below MON 88 or
RON 90 (octane rating)

Description	Weight
Block F.C.	42.0 lbs.
Carburetor	2.5 lbs.
Exhaust	10.0 lbs.
Redrive	10.5 lbs.
Total Weight	65.0 lbs.

Independent SERVICE CENTRE

ROTAX
AIRCRAFT ENGINES

LEADING EDGE AIR FOILS, LLC 1-800-532-3462 info@leadingedgeairfoils.com
www.leadingedgeairfoils.com store.leadingedgeairfoils.com